



TIMKEN
Where You Turn

Weatherly Index: 310/322-340
Catalog number: 7002
Effective date: 2012

Supersedes Heavy-Duty Wheel Bearing Applications dated 2009

Heavy-Duty Wheel Bearing Applications

Roulements de roue pour camions-remorques

Aplicaciones de rodamientos de ruedas para servicio pesado

HOW TO USE THIS CATALOG

Before proceeding, you will need to have the axle number or axle identification from the vehicle and axle you will be looking up:

- The vehicle option tag will most likely be found in the glove box of medium-duty vehicles.
- A tag attached to the drive and trailer axle will provide the required information on most heavy-duty trucks and trailers.
- Steering and Tag axles will most likely have the identification number cast directly into the axle itself.

With this information in hand, turn to the appropriate section of the catalog for your manufacturer.

Every reasonable effort has been made to ensure the accuracy of the information contained in this writing, but no liability is accepted for errors, omissions or for any other reason.

POUR UTILISER CE CATALOGUE

Avant de poursuivre, obtenez le numéro ou l'identificateur de l'essieu correspondant au véhicule:

- Pour les camions légers, l'étiquette d'identification se retrouvera généralement dans la boîte à gants.
- Pour les camions lourds et les remorques, l'étiquette d'identification se trouvera sur l'essieu.
- Pour les essieux directeur et traîné, le numéro d'identification est typiquement gravé sur l'essieu.

Une fois muni de ces informations, consultez la section appropriée du catalogue correspondant au fabricant.

Malgré le soin apporté à l'exactitude des informations contenues dans ce document, Timken dénie la responsabilité pour toute erreur, omission ou pour toute autre raison.

CÓMO USAR ESTE CATÁLOGO

Antes de proceder, debe tener el número del eje o la identificación del eje del vehículo y del eje que busca.

- La etiqueta de los vehículos de servicio medio se encuentra generalmente en la guantera.
- La etiqueta que se encuentra en el eje del motor y en el eje del remolque contiene la información necesaria para la mayoría de los camiones y remolques de servicio pesado.
- Es posible que los ejes de dirección y los ejes de apoyo tengan el número de identificación grabado directamente en el eje.

Con esta información, vaya a la sección correspondiente de su fabricante en este catálogo.

Se realizó todo el esfuerzo posible para asegurar la precisión de la información que aparece en este catálogo, sin embargo, no nos hacemos responsables por errores, omisiones u otras razones.

For your convenience, we have listed the manufacturers in alphabetical order with all axle locations within this one section. You will find trailer, front axles and rear axles in the same section.

In the index under the manufacturer of the vehicle you are looking up, find the axle identification. Axle identifications are listed in alphabetical order on the left with the corresponding part location on the right.

Once the location number is identified on the right, for your axle, go to that section number. There you will find all available information with regards to the cone, cup and seals used on that axle, and any qualifiers if necessary.

Pour faciliter votre lecture, les fabricants sont en ordre alphabétique, avec tous les essieux listés dans une même section. Les essieux de tracteur et de remorque sont ainsi rassemblés en un même endroit.

Trouvez le nom du fabricant dans l'index, puis l'identificateur de l'essieu. Les essieux sont listés en ordre alphabétique sur la gauche et l'emplacement de la pièce correspondante est sur la droite.

Une fois identifié l'emplacement de votre essieu dans le catalogue, allez à la section correspondante. Vous y trouverez toutes les informations concernant le cône, la cuvette et les joints utilisés sur cet essieu, ainsi que les particularités au besoin.

Para su comodidad, hemos enlistado los fabricantes en orden alfabético y las ubicaciones de sus ejes en esta misma sección. Encontrará los ejes delanteros y traseros de los remolques en la misma sección.

En el índice, en la sección del fabricante del vehículo que está buscando, encontrará la identificación del eje. Las identificaciones de los ejes aparecen en orden alfabético a la izquierda y a la derecha, se encuentra la ubicación correspondiente de la parte.

Una vez localizado el número de la ubicación de su eje, vaya a la sección indicada. Ahí encontrará toda la información disponible sobre el cono, la taza y los retenes utilizados en ese eje y cualquier clasificación si fuera necesario.

TABLE OF CONTENTS

How To Use This Catalog	i
Pour Utiliser Ce Catalogue	i
Cómo Usar Este Catálogo	i
Applications - Tractor & Trailer Wheel Ends	1
Applications - Set-Right® Heavy-Duty Hub Rebuild Kits	77
Applications - Kit de remontage hautes performances Timken Set-Right®	79
Aplicaciones - Kit Set-Right® para reparación demazas de servicio pesado	81
Heavy-Duty Bearing Guide Tools	83
Interchange - Grease Seals To Oil Bath Seals	84
Heavy-Duty Wheel Seal Interchange List	85
Driveline Center Support Bearings	86
MileMate®	87
MileMate®: French Canadian	89
MileMate®: Spanish	91
Timken® 454-Series Wheel Bearings for Commercial Vehicles	93
Roulements de roues Timken® 454-Series pour véhicules commerciaux	94
Rodamientos Timken® 454-Series para ruedas de vehículos comerciales	95
Vehicle Identification Chart	96
Timken #1 In Comparison Test	97
Timken, le n°1 des tests comparatifs	99
Timken, N.º 1 en la prueba de comparación	101
Tapered Roller Bearing Damage Analysis	103
Timken Heavy-Duty Techtips – Free Resource	105
Timken Tech Series FREE Online Tech Training Tool	106
Notes	107

APPLICATIONS - TRACTOR & TRAILER WHEEL ENDS

AMERICAN COLEMAN Axle Model Index

Model	Line No.	Model	Line No.	Model	Line No.	Model	Line No.
SD12	1	SD17	1	SD9	1		

Manufacturer Line Number	Inner Set	Outer Set	Inner (Cone/Cup)	Outer (Cone/Cup)	Timken	National	Stemco	SKF

AMERICAN COLEMAN

1	AXLE - FRONT DRIVE STEERING	-	Set401	36690	2780	-	-	-	-
		-	-	36620	36690	-	-	-	-
		-	-	594A	36620	-	-	-	-
		-	-	681A	453X	-	-	-	-
		-	-	592A	580	-	-	-	-
		-	-	672	580	-	-	-	-
		-	-	-	580	-	-	-	-
		-	-	-	572	-	-	-	-
		-	-	-	572	-	-	-	-

ARVINMERITOR Axle Model Index

Model	Line No.	Model	Line No.	Model	Line No.	Model	Line No.
14000	53	2666	2	31015	47	53622H	119
16000	1	2668	2	31018	47	53622N	119
16600	1	2700	5	31020	47	53623	119
16601	1	27000	44	31041	47	53624	119
16602	1	27050	44	31100	47	53625	119
16608	2	27052	44	31104	47	53626	119
16612	2	27054	44	31105	47	53659N	119
16613	2	27060	44	31116	47	53660H	119
16616	2	27061	44	32500	48	53661	119
16618	2	27062	44	32501	48	53662	119
16800	3	27062A	44	32502	48	54411H	63
16800W	4	27063	45	32504	48	54412	63
16801	3	27070	45	32506	48	54419	63
1689	2	27071	45	32508	48	54430TW	63
16900	2	27072	45	32509	48	55411	99
16901	5	27450	44	32514	48	55417H	99
16901W	6	27451	44	32518	48	56334	61
16902	5	27452	44	32519	48	56400	120
16902W	6	27454	44	32520	48	56401	121
16903	5	27460	22	32521	48	56410	121
16903W	6	27460	53	32550H	30	56411	121
16905	5	27461	44	32550TW	30	56412	120
16905W	6	27462	44	32552	48	56413	120
16910	5	27462A	44	32553	48	56427	120
1692	2	27463	44	32556	48	56429P	121
16920	5	27463A	44	40140	97	56430	121
16920W	6	27465	22	53308H	63	56431P	120
1693	2	27465A	53	53411H	63	56432	121
16930	6	27620	44	53440	63	56433P	120
16930W	6	2770	2	53512H	119	56450	120
16931	6	2771	2	53521	63	56451	120
16931W	6	2774	2	53526	63	56460	120
2600	5	2775	2	53543	63	56461	120
26060	2	2776	2	53547	63	56462	121
26061	7	2777	2	53560H	63	56463	121
26062	2	30000	46	53565	63	56466	121
26063	2	30003	46	53566	63	56467	121
2650	2	30004	46	53567H	119	56468	121
2652	5	30012	46	53581TW	63	58267	64
2652P	2	30020	46	53586H	63	5B715M	127
2653	2	30023	46	53587	63	65456P	64
2653P	2	30062	46	53588TW	63	65457P	64
2660	2	30063	46	53589W	63	65743	118
2661	2	30064	46	53591	63	66714	69
2662	2	31007	47	53595	63	66714W	69
2663	2	31008	47	53599W	63	66715	69
2664	2	31009	47	53620H	119	66743	69
2665	2	31013	47	53622	119	66766	69

ARVINMERITOR Axle Model Index (continued)

Model	Line No.	Model	Line No.	Model	Line No.	Model	Line No.
TN6610	96	TQ	90	TR8870	94		
TN6670	96	TQ4270	96	TR9670	94		
TN6680	96	TQ4670	96	TR9870	94		
TNC	90	TQC	96	TRD	94		
TNC SER.	126	TQD	90	TRD SER.	127		
TND	90	TQD SER.	126	TR SER.	127		
TND SER.	126	TQ SER.	126	TT	93		
TN SER.	126	TR	93	TT9670	94		
TP	92	TR	94	TT9670	127		
TP4670	92	TR4560	94	TT9870	94		
TP4680	92	TR4670	94	TT9870	127		
TP6670	92	TR767	95	TU SER.	125		
TP6680	90	TR767	129	TWVC	124		
TP8670	92	TR8670	82	U170	77		
TP SER.	126	TR8670	94	U180	79		
TP SER.	128	TR8680	82				

Manufacturer Line Number	Inner Set	Outer Set	Inner (Cone/Cup)	Outer (Cone/Cup)	Timken	National	Stemco	SKF
--------------------------	-----------	-----------	------------------	------------------	--------	----------	--------	-----

ARVINMERITOR

1	FRONT AXLE	-	-	623 612	453X -	-	-	-	-
2	FRONT AXLE	-	-	6379 6320	557S 552A	-	370066A	-	40086
3	FRONT AXLE	-	-	6379 6320	557S 552A	-	370066A	-	40086
4	FRONT AXLE	-	-	623 612	-	-	-	-	-
5	FRONT AXLE - 2.56" Inner Cone I.D.	-	-	6379 6320	557S 552A	-	370066A	-	40086
	FRONT AXLE - 2.62" Inner Cone I.D. & .17" Cone Front Face Radius	-	-	6386 6320	557S 552A	-	370066A	-	40086
	FRONT AXLE - 2.62" Inner Cone I.D. & .25" Cone Front Face Radius	-	-	6389 6320	557S 552A	-	370066A	-	40086
6	FRONT AXLE - 2.56" Inner Cone I.D.	-	-	6379 6320	557S 552A	-	370066A	-	40086
	FRONT AXLE - 2.62" Inner Cone I.D. & .17" Cone Front Face Radius	-	-	6386 6320	557S 552A	-	370066A	-	40086
7	FRONT AXLE	-	-	-	59175 59412	-	-	-	-
8	FRONT AXLE	-	Set414	64450 64700	HM218248 HM218210	-	-	-	-
9	FRONT AXLE	-	-	39581 39520	3585 3525	TKR847	370001A	308-0836	35066

Manufacturer Line Number	Inner Set	Outer Set	Inner (Cone/Cup)	Outer (Cone/Cup)	Timken	National	Stemco	SKF
--------------------------	-----------	-----------	------------------	------------------	--------	----------	--------	-----

ARVINMERITOR (continued)

10	FRONT AXLE	-	-	71450 71750	52400 52637	-	-	-	-
11	FRONT AXLE	Set408	-	39590 39520	387AS 382A	-	-	-	-
12	FRONT AXLE	Set410	-	45284 45220	2780 2720	-	370010A	-	28820
	FRONT AXLE - FORD	Set410	-	45284 45220	25880 25820	-	370010A	-	28820
13	FRONT AXLE	-	-	47490 47420	395A 394A	-	-	-	-
14	FRONT AXLE	-	-	39581 39520	3585 3525	-	370010A	-	28820
15	FRONT AXLE	-	-	33287 33472	395A 394A	-	-	-	-
16	FRONT AXLE	Set412	Set406	HM212047 HM212011	3782 3720	TKR847	370001A	308-0836	35066
17	FRONT AXLE	-	Set412	756A 752	HM212047 HM212011	-	370007A	-	48794
18	FRONT AXLE - 1st Design	-	Set406	557A 553X	3782 3720	TKR847	370001A	308-0836	35066
	FRONT AXLE - 2nd Design	-	Set406	HM212044 HM212011	3782 3720	TKR847	370001A	308-0836	35066
19	FRONT AXLE	Set413	Set406	HM212049 HM212011	3782 3720	TKR847	370001A	308-0836	35066
20	FRONT AXLE	-	Set412	756A 752	HM212047 HM212011	-	370057A	-	48796
21	FRONT AXLE	-	-	6386 6320	537 532A	-	370008A	-	39380
22	FRONT AXLE	-	-	6389 6320	537 532A	-	370008A	-	39380
23	FRONT AXLE	Set423	-	6461A 6420	3979 3920	TKR863	370048A	309-0864	43764
	FRONT AXLE - FORD	Set423	-	6461A 6420	555-S 552A	TKR863	370048A	309-0864	43764
24	FRONT AXLE	Set423	-	6461A 6420	555-S 552A	TKR863	370048A	309-0864	43764

Manufacturer Line Number	Inner Set	Outer Set	Inner (Cone/Cup)	Outer (Cone/Cup)				
					Timken	National	Stemco	SKF

ARVINMERITOR (continued)

25									
FRONT AXLE	-	-	-	749	-	-	-	-	-
	-	-	-	742	-	-	-	-	-
26									
FRONT AXLE	-	-	594	498	-	-	-	-	-
	-	-	592A	493	-	-	-	-	-
27									
FRONT AXLE	-	-	71450	52400	-	-	-	-	-
	-	-	71750	52637	-	-	-	-	-
28									
FRONT AXLE	-	-	3578	2689	-	-	-	-	-
	-	-	3525	2631	-	-	-	-	-
29									
FRONT AXLE	-	-	64450	52400	-	-	-	-	-
	-	-	64700	52637	-	-	-	-	-
30									
FRONT AXLE	-	-	3778	2790	-	-	-	-	-
	-	-	3720	2720	-	-	-	-	-
31									
FRONT AXLE	Set423	-	6461A	555-S	TKR863	370048A	309-0864	43764	-
	-	-	6420	552A	-	-	-	-	-
32									
FRONT AXLE	Set423	-	6461A	555-S	TKR863	370048A	309-0864	43764	-
	-	-	6420	552A	-	-	-	-	-
33									
FRONT AXLE	Set412	Set406	HM212047	3782	TKR847	370001A	308-0836	35066	-
	-	-	HM212011	3720	-	-	-	-	-
34									
FRONT AXLE	-	Set406	557A	3782	TKR847	370001A	308-0836	35066	-
	-	-	553X	3720	-	-	-	-	-
35									
FRONT AXLE	Set410	-	45284	2780	-	370010A ¹²	-	28820	-
	-	-	45220	2720	-	370054A ¹³	-	28832	-
36									
FRONT AXLE	-	-	-	749	-	-	-	-	-
	-	-	-	742	-	-	-	-	-
37									
FRONT AXLE	-	-	39581	3585	TKR847	370001A	308-0836	35066	-
	-	-	39520	3525	-	-	-	-	-
38									
FRONT AXLE	-	-	-	555-S	-	-	-	-	-
	-	-	-	552A	-	-	-	-	-
39									
FRONT AXLE	-	-	JM207049A	25877	-	370150A	308-0866	28758	-
	-	-	JM207010	25820	-	-	-	-	-
40									
FRONT AXLE	Set413	Set406	HM212049	3782	TKR847	370001A	308-0836	35066	-
	-	-	HM212011	3720	-	-	-	-	-

¹² Through 9/72 ¹³ From 10/72

Manufacturer Line Number	Inner Set	Outer Set	Inner (Cone/Cup)	Outer (Cone/Cup)				
					Timken	National	Stemco	SKF

ARVINMERITOR (continued)

41									
FRONT AXLE	-	-	6379	557S	-	370066A	-	40086	-
	-	-	6320	552A	-	-	-	-	-
42									
FRONT AXLE	-	-	64450	-	-	-	-	-	-
	-	-	64700	-	-	-	-	-	-
43									
FRONT AXLE	-	-	JHM720249	52375	-	-	-	-	-
	-	-	JHM720210	52637	-	-	-	-	-
44									
FRONT AXLE - 3.875" Shaft	-	-	6386	537	-	370165A	-	38747	-
	-	-	6320	532A	-	-	-	-	-
FRONT AXLE - 4.0" Shaft	-	-	6389	557S	-	370066A	-	40086	-
	-	-	6320	552A	-	-	-	-	-
45									
FRONT AXLE	-	-	6379	557S	-	370066A	-	40086	-
	-	-	6320	552A	-	-	-	-	-
46									
FRONT AXLE	-	-	3382	1779	-	-	-	-	-
	-	-	3320	1729X	-	-	-	-	-
47									
FRONT AXLE	-	-	3578	2689	-	-	-	-	-
	-	-	3525	2631	-	-	-	-	-
48									
FRONT AXLE - 1.313" Outer Cone I.D.	-	-	3778	2790	-	-	-	-	-
	-	-	3720	2720	-	-	-	-	-
FRONT AXLE - 1.375" Outer Cone I.D.	-	-	3778	25877	-	-	-	-	-
	-	-	3720	25820	-	-	-	-	-
49									
FRONT AXLE	-	-	JHM720249	52375	-	-	-	-	-
	-	-	JHM720210	52637	-	-	-	-	-
50									
FRONT AXLE	-	-	39581	3585	TKR847	370001A	308-0836	35066	-
	-	-	39520	3525	-	-	-	-	-
51									
FRONT AXLE	Set412	Set406	HM212047	3782	TKR847	370001A	308-0836	35066	-
	-	-	HM212011	3720	-	-	-	-	-
52									
FRONT AXLE	-	-	64450	-	-	-	-	-	-
	-	-	64700	-	-	-	-	-	-
53									
FRONT AXLE - 5.375" Seal Bore	-	-	6386	537	-	370165A	-	38747	-
	-	-	6320	532A	-	-	-	-	-
FRONT AXLE - 5.625" Bore Seal	-	-	6389	557S	-	370066A	-	40086	-
	-	-	6320	552A	-	-	-	-	-
54									
FRONT AXLE	Set413	Set406	HM212049	3782	TKR847	370001A	308-0836	35066	-
	-	-	HM212011	3720	-	-	-	-	-
55									
FRONT AXLE	-	-	JM207049A	25877	-	370150A	308-0866	28758	-
	-	-	JM207010	25820	-	-	-	-	-

Manufacturer Line Number	Inner Set	Outer Set	Inner (Cone/Cup)	Outer (Cone/Cup)				
					Timken	National	Stemco	SKF

ARVINMERITOR (continued)

83	REAR AXLE	-	-	760 752	749 742	-	370004A	-	48884
84	REAR AXLE	-	-	-	749 742	-	370004A	-	48884
85	REAR AXLE - 4.77" Shaft	Set403	Set401	594A 592A	580 572	TKR861	370003A	309-0973	47697
86	REAR AXLE	-	-	-	780 772	-	-	-	-
87	REAR AXLE	Set402	-	582 572	42687 42620	-	370030A ¹⁴	309-0961	42800
	REAR AXLE - Inner Seal Width .500"	Set411	Set408	47686 47620	39590 39520	TKR849	370023A	309-0912	38780
88	TRAILER AXLE - w/o Budd Whls. and Gunitite 81012 Anti-Skid Control.	-	Set413	665A 653	HM212049 HM212011	TKR853	370037A	307-0744	43752
	TRAILER AXLE - Budd Whls.	Set405	Set413	663 653	HM212049 HM212011	-	-	-	-
	TRAILER AXLE - w/Gunitite 81012 Anti-Skid Control.	-	Set413	665A 653	HM212049 HM212011	TKR856	370022A	309-0903	45099
89	REAR AXLE - STANDARD AXLE	Set404	Set401	598A 592A	580 572	TKR861	370003A	309-0973	47697
	REAR AXLE - BROCKWAY	-	Set401	681A 672	580 572	-	370006A	309-0970	47699
90	TRAILER AXLE	Set414	Set413	HM218248 HM218210	HM212049 HM212011	TKR859	370025A	307-0743	46305
91	TRAILER AXLE - .14" Cone FF Radius	Set405	Set413	663 653	HM212049 HM212011	TKR850	370036A	307-0713	40136
	TRAILER AXLE - .27" Cone FF Radius	-	Set413	663A 653	HM212049 HM212011	TKR850	370036A	307-0713	40136
92	TRAILER AXLE	Set415	Set415	HM518445 HM518410	HM518445 HM518410	TKR851	370065A	307-0723	42623
93	TRAILER AXLE - w/o Budd and Motor Wheel Whls. Exc. TR4670 Axle	Set403	-	594A 592A	-	-	-	-	-
94	TRAILER AXLE	Set403	Set401	594A 592A	580 572	TKR861	370003A	309-0973	47697
95	TRAILER AXLE	Set403	-	594A 592A	HM516449 HM516410	TKR861	370003A	309-0973	47697

¹⁴ Standard Axle, White & Dodge Ser. To 1491999

Manufacturer Line Number	Inner Set	Outer Set	Inner (Cone/Cup)	Outer (Cone/Cup)				
					Timken	National	Stemco	SKF

ARVINMERITOR (continued)

96	TRAILER AXLE	Set414	Set413	HM218248 HM218210	HM212049 HM212011	TKR859	370025A	307-0743	46305
97	REAR AXLE - STANDARD AXLE	Set404	Set401	598A 592A	580 572	TKR861	370003A	309-0973	47697
	REAR AXLE - BROCKWAY	-	Set401	681A 672	580 572	-	370006A	309-0970	47699
98	REAR AXLE - EXCEPT FRONT UNIT	Set402	-	582 572	42687 42620	-	370030A	309-0961	42800
	REAR AXLE - FRONT UNIT	Set404	Set401	598A 592A	580 572	TKR861	370003A	309-0973	47697
99	REAR AXLE - STANDARD AXLE - GMC 4.33" Outer Cup O.D.	-	-	- 33281 33462	- 3982 3920	-	370047A	309-0935	34384 34387
100	REAR AXLE	-	-	B12235YK	KA11950Z	-	-	-	-
101	REAR AXLE - 2.875" Inner Cone I.D.	-	-	33287 33462	3982 3920	-	370047A	309-0935	34384 34387
	REAR AXLE - 2.813" Inner Cone I.D.	-	-	33281 33462	3982 3920	TKR847	370001A	308-0836	35066
102	REAR AXLE - STANDARD AXLE, White, & Ford Thru Ser. F90000	-	-	- 495AX 493	- 3984 3920	-	370008A	-	39380
	REAR AXLE - DODGE	-	Set408	42688 47620	39590 39520	-	370033A	-	38709
	REAR AXLE - GMC 3.938" Shaft	-	Set408	495AX 493	39590 39520	TKR848	370024A	309-0915	38750
	REAR AXLE - GMC 3.875" Shaft	-	Set408	495AX 493	39590 39520	-	370009A	309-0957	37425 39420
	REAR AXLE - FORD From Ser. F90001	-	-	-	-	-	370009A	309-0957	37425 39420
	REAR AXLE - Navistar	Set411	Set408	47686 47620	39590 39520	TKR849	370023A	309-0912	38780
103	REAR AXLE	-	-	493 493	-	-	370008A	-	39380
104	REAR AXLE - STANDARD AXLE	Set411	-	47686 47620	39585 39520	TKR849	370023A	309-0912	38780
	REAR AXLE - GMC	Set411	Set408	47686 47620	39590 39520	TKR848	370024A	309-0915	38750
	REAR AXLE - Navistar	Set411	Set408	47686 47620	39590 39520	TKR849	370023A	309-0912	38780
105	REAR AXLE - STANDARD AXLE, DODGE Thru Ser. 1491999	Set402	-	582 572	42687 42620	-	370030A	309-0961	42800
	REAR AXLE - DODGE From Ser. 1492000	Set411	-	47686 47620	39585 39520	TKR849	370023A	309-0912	38780

Manufacturer Line Number	Inner Set	Outer Set	Inner (Cone/Cup)	Outer (Cone/Cup)				
					Timken	National	Stemco	SKF

ARVINMERITOR (continued)

REAR AXLE - Navistar	Set411	Set408	47686 47620	39590 39520	TKR849 -	370023A -	309-0912 -	38780 -
106								
REAR AXLE - STANDARD AXLE	-	-	495AX 493	3984 3920	-	370008A -	-	39380 -
REAR AXLE - DODGE	Set411	Set408	47686 47620	39590 39520	TKR849 -	370023A -	309-0912 -	38780 -
REAR AXLE - GMC	Set411	Set408	47686 47620	39590 39520	TKR848 -	370024A -	309-0915 -	38750 -
107								
REAR AXLE	-	-	52400 52618	68462 68712	TKR859 -	370025A -	307-0743 -	46305 -
108								
REAR AXLE	-	-	493 493	-	-	370008A -	-	39380 -
109								
REAR AXLE	-	-	52400 52618	68462 68712	-	-	-	-
110								
REAR AXLE	-	-	52400 52618	68462 68712	-	-	-	-
111								
REAR AXLE	-	-	34300 34478	-	-	-	-	-
112								
REAR AXLE - 3.00" Outer Cone I.D.	-	-	598 592A	575 572	TKR854 -	370019A -	309-0965 -	43860 -
REAR AXLE - 3.25" Outer Cone I.D.	-	Set401	598 592A	580 572	TKR854 -	370019A -	309-0965 -	43860 -
113								
REAR AXLE	Set405	Set401	663 653	580 572	-	370178A -	-	44964 -
114								
REAR AXLE - 4.5" Shaft	Set403	Set401	594A 592A	580 572	TKR858 -	370021A -	309-0964 -	45160 -
REAR AXLE - 4.82" Shaft	Set403	Set401	594A 592A	580 572	-	-	-	-
115								
REAR AXLE	-	Set405	-	663 653	-	370178A -	-	44964 -
116								
REAR AXLE	-	-	687 672	47890 47820	-	370195A -	1066 3909034	48690 -
117								
REAR AXLE - STANDARD AXLE	-	Set405	749A 742	663 653	-	370178A -	-	44964 -
REAR AXLE - GMC	-	Set405	749A 742	663 653	-	370178A -	-	44964 -
118								
REAR AXLE - STANDARD AXLE	-	-	596 592A	596 592A	TKR850 -	370036A -	307-0713 -	40136 -

Manufacturer Line Number	Inner Set	Outer Set	Inner (Cone/Cup)	Outer (Cone/Cup)				
					Timken	National	Stemco	SKF

ARVINMERITOR (continued)

REAR AXLE - WHITE	-	-	596 592A	581 572	TKR850 -	370036A -	307-0713 -	40136 -
119								
REAR AXLE	-	-	395 394A	387 382A	-	-	-	-
120								
REAR AXLE - STANDARD AXLE - 3.00" Outer Cone I.D.	Set401	-	- 580 572	- 575 572	- TKR850 -	- 370036A -	- 307-0713 -	- 40136 -
REAR AXLE - STANDARD AXLE - 2.62" Outer Cone I.D.	Set401	-	- 580 572	- 553X 560	- TKR850 -	- 370036A -	- 307-0713 -	- 40136 -
121								
REAR AXLE	Set401	-	- 580 572	-	- TKR850 -	- 370036A -	- 307-0713 -	- 40136 -
122								
TRAILER AXLE	-	-	495AX 493	3984 3920	-	370008A -	-	39380 -
123								
TRAILER AXLE	Set405	Set413	663 653	HM212049 HM212011	TKR850 -	370036A ¹ 370349A ²	307-0713 307-0713	40136 40136
124								
TRAILER AXLE	-	Set413	665A 653	HM212049 HM212011	TKR853 -	370037A ¹ 370338A ²	307-0744 3070744 3727095 3730144	43752 43752 43754 -
125								
TRAILER AXLE	-	-	-	596 592A	-	370004A -	-	48884 -
126								
TRAILER AXLE	Set414	Set413	HM218248 HM218210	HM212049 HM212011	TKR859 -	370025A ¹ -	307-0743 -	46305 -
127								
TRAILER AXLE	Set403	Set401	594A 592A	580 572	TKR861 -	370003A -	309-0973 -	47697 -
128								
TRAILER AXLE	Set415	Set415	HM518445 HM518410	HM518445 HM518410	TKR851 -	370065A ¹ -	307-0723 -	42623 -
129								
TRAILER AXLE	Set403	-	594A 592A	HM516449 HM516410	TKR861 -	370003A -	309-0973 -	47697 -
130								
TRAILER AXLE	Set425	-	567 563	528 522	-	370013A -	-	35075 -
131								
TRAILER AXLE	-	-	749 742	643 632	-	370107A -	-	42624 -
132								
TRAILER AXLE	-	-	594 592A	643 632	-	370107A -	-	42624 -

¹ Hub Mount ² Spindle Mount

Manufacturer Line Number	Inner Set	Outer Set	Inner (Cone/Cup)	Outer (Cone/Cup)				
					Timken	National	Stemco	SKF

ARVINMERITOR (continued)

133	TRAILER AXLE	Set404	-	598A	575	TKR861	370003A	309-0973	47697
		-	-	592A	572	-	-	-	-
134	TRAILER AXLE - 3.67" Cup O.D.	Set412	-	HM212047	3779	-	370012A	-	36285
		-	-	HM212011	3720	-	-	-	-
	TRAILER AXLE - 4.125" Cup O.D.	Set412	-	HM212047	45282	-	370012A	-	36285
		-	-	HM212011	45220	-	-	-	-

CLARK Axle Model Index

Model	Line No.	Model	Line No.	Model	Line No.	Model	Line No.
BD-100000	4	BD-7700	7	F-459	2	ND7	9
BD-121000	5	BD-90000	8	FDS-2000	3	RD-22500	10
BD-50-60	6	F-361	1	FDS-20000	3		
BD-50-70	6	F-362	1	ND18000	9		
BD-70000	7	F-458	2	ND20000	9		

Manufacturer Line Number	Inner Set	Outer Set	Inner (Cone/Cup)	Outer (Cone/Cup)				
					Timken	National	Stemco	SKF

CLARK

1	FRONT AXLE	-	-	2788	1380	-	-	-	-
		-	-	2726	1328	-	-	-	-
2	FRONT AXLE	-	-	26882	15101	-	-	-	-
		-	-	26822	15250	-	-	-	-
3	FRONT AXLE	-	-	593	56418	-	-	-	-
		-	-	592-A	56650	-	-	-	-
4	BOGIE DRIVE AXLE	-	-	898A	67883	-	-	-	-
		-	-	892	67820	-	-	-	-
5	BOGIE DRIVE AXLE	-	-	JM734449	JHM840449	-	-	-	-
		-	-	JM734410	JHM840410	-	-	-	-
6	BOGIE DRIVE AXLE	-	-	685	48286	-	-	-	-
		-	-	672	48220	-	-	-	-
7	BOGIE DRIVE AXLE	-	-	71450	67388	-	-	-	-
		-	-	71750	67322	-	-	-	-
8	BOGIE DRIVE AXLE	-	-	67390	67782	-	-	-	-
		-	-	67320	67720	-	-	-	-
9	TRAILER AXLE - w/3.25" INR BORE	Set405	-	663	-	TKR850	370036A 1	307-0713	40136
		-	-	653	-	-	-	-	-
	TRAILER AXLE - w/3.875" INR BORE	-	-	685	-	-	370349A 2	307-0713	40136
		-	-	672	-	-	-	-	-
	TRAILER AXLE	-	Set413	-	HM212049	-	-	-	-
		-	-	-	HM212011	-	-	-	-

1 Hub Mount 2 Spindle Mount

Manufacturer Line Number	Inner Set	Outer Set	Inner (Cone/Cup)	Outer (Cone/Cup)				
					Timken	National	Stemco	SKF

CLARK (continued)

10	DRIVE AXLE	-	-	685	48190	-	-	-	-
		-	-	672	48120	-	-	-	-

DAVIES TRUCK EQUIPMENT LTD. Axle Model Index

Model	Line No.	Model	Line No.	Model	Line No.	Model	Line No.
TAG AXLE	1						

Manufacturer Line Number	Inner Set	Outer Set	Inner (Cone/Cup)	Outer (Cone/Cup)				
					Timken	National	Stemco	SKF

DAVIES TRUCK EQUIPMENT LTD.

1	Set405	Set413	663	HM212049	-	-	-	-
		-	-	653	HM212011	-	-	-	-

DODGE Axle Model Index

Model	Line No.	Model	Line No.	Model	Line No.	Model	Line No.
11000#	1	16000#	4	5500#	6	RA-115	9
12000#	2	4000#	5	7000#	7		
15000#	3	5000#	6	9000#	8		

Manufacturer Line Number	Inner Set	Outer Set	Inner (Cone/Cup)	Outer (Cone/Cup)				
					Timken	National	Stemco	SKF

DODGE

1	FRONT AXLE	-	-	HM212044	3585	TKR847	370001A	308-0836	35066
		-	-	HM212011	3525	-	-	-	-
2	FRONT AXLE	Set412	-	HM212047	3585	TKR847	370001A	308-0836	35066
		-	-	HM212011	3525	-	-	-	-
3	FRONT AXLE	-	-	6386	537	-	370008A	-	39380
		-	-	6320	532A	-	-	-	-
4	FRONT AXLE	Set423	-	6461A	555-S	TKR863	370048A	309-0864	43764
		-	-	6420	552A	-	-	-	-
	FRONT AXLE - W/AIR OVER HYD BRKS	-	-	-	3979	-	370182A	-	43764
		-	-	-	3920	-	-	-	-
5	FRONT AXLE	-	-	LM603049	15101	-	-	-	-
		-	-	LM603012	15245	-	-	-	-
6	FRONT AXLE	-	-	25590	14116	-	-	-	-
		-	-	25520	14276	-	-	-	-
7	FRONT AXLE	Set410	-	45284	2780	-	370132A	308-0863	34975
		-	-	45220	2720	-	-	-	-
8	FRONT AXLE	-	-	39581	3585	-	370132A	308-0863	34975
		-	-	39520	3525	-	-	-	-

Manufacturer Line Number	Inner Set	Outer Set	Inner (Cone/Cup)	Outer (Cone/Cup)				
					Timken	National	Stemco	SKF

DANA~ SPICER~ EATON (continued)

7	REAR AXLE	-	-	33281 33462	39585 39520	-	370169A	-	35000
8	REAR AXLE - W/8.875" B.C.	-	-	47687 47620	39585 39520	TKR849	370023A	309-0912	38780
	REAR AXLE - W/11.25" B.C.	Set411	-	47686 47620	39585 39520	-	370165A	-	38747
9	REAR AXLE - G-175S/T	-	-	495AX 493	-	-	370008A	-	39380
	REAR AXLE	-	Set408	-	39590 39520	TKR848	370024A	309-0915	38750
10	FRONT AXLE	Set423	-	6461A 6420	555-S 552A	TKR863	370048A	309-0864	43764
	FRONT AXLE - W/AIR OVER HYD DISK BRKS	-	-	-	3979 3920	-	370182A	-	43764
11	REAR AXLE - G-185S	Set411	-	47686 47620	-	TKR849	370023A	309-0912	38780
	REAR AXLE	-	Set408	-	39590 39520	TKR848	370024A	309-0915	38750
12	REAR AXLE	Set411	Set408	47686 47620	39590 39520	TKR848	370024A	309-0915	38750
	REAR AXLE - GMC	-	-	47687 47620	39585 39520	TKR848	370024A	309-0915	38750
13	FRONT AXLE	-	-	HH221442 HH221410	749 742	-	-	-	-
14	REAR AXLE	Set403	Set401	594A 592A	580 572	TKR858	370021A	309-0964	45160
15	FRONT AXLE	-	-	HH224340 HH224310	749 742	-	-	-	-
16	REAR AXLE	Set411	Set408	47686 47620	39590 39520	TKR849	370023A	309-0912	38780
	REAR AXLE - GMC	-	-	47687 47620	39585 39520	TKR861	370003A	309-0973	47697
17	REAR AXLE	Set411	Set408	47686 47620	39590 39520	TKR858	370021A	309-0964	45160
18	REAR AXLE	Set403	Set401	594A 592A	580 572	TKR861	370003A	309-0973	47697
19	FRONT AXLE	-	-	637 633	527 522	-	-	-	-

Manufacturer Line Number	Inner Set	Outer Set	Inner (Cone/Cup)	Outer (Cone/Cup)				
					Timken	National	Stemco	SKF

DANA~ SPICER~ EATON (continued)

20	REAR AXLE	-	-	NP568900 NP107783	NP555065 NP975161	-	-	-	-
21	REAR AXLE	-	-	33287 33462	39585 39520	-	370169A	-	35000
22	FRONT AXLE	-	-	843 832	636 632	-	-	-	-
23	FRONT AXLE	-	-	6460 6420	636 632	-	-	-	-
26	FRONT AXLE	-	-	584 5535	527 522	-	-	-	-
27	TRAILER AXLE	Set425	-	567 563	528 522	-	-	-	-
28	TRAILER AXLE	Set405	Set413	663 653	HM212049 HM212011	TKR850	370036A	307-0713	40136
29	REAR AXLE - STD	-	-	33281 33462	3982 3920	-	370047A	309-0935	34384 34387
	REAR AXLE - CAN	-	-	33287 33462	3982 3920	-	-	-	-
30	TRAILER AXLE	Set414	Set413	HM218248 HM218210	HM212049 HM212011	TKR859	370025A	307-0743	46305
31	REAR AXLE - DIAMOND T, DODGE, FORD, GMC	-	-	33281 33462	3982 3920	-	-	-	-
	REAR AXLE - IHC	Set411	Set408	47686 47620	39590 39520	-	-	-	-
32	TRAILER AXLE	-	-	749 742	643 632	-	-	-	-
	TRAILER AXLE - OPT	-	-	-	643 633	-	-	-	-
33	REAR AXLE - DODGE & FORD	-	-	33287 33462	3982 3920	-	370047A	309-0935	34384 34387
	REAR AXLE - WHITE	-	-	3984 3920	29585 29520	-	-	-	-
34	TRAILER AXLE	-	-	759 752	740 742	-	370192A	-	45162
35	TRAILER AXLE	-	-	780 772	6580 6535	-	-	-	-

Manufacturer Line Number	Inner Set	Outer Set	Inner (Cone/Cup)	Outer (Cone/Cup)				
					Timken	National	Stemco	SKF
DANA~ SPICER~ EATON (continued)								
36								
REAR AXLE	-	-	33287 33462	3982 3920	-	370008A	-	39380
37								
TRAILER AXLE	-	-	896 892	6580 6535	-	-	-	-
38								
REAR AXLE	-	-	33287 33462	3982 3920	-	370008A	-	39380
39								
TRAILER AXLE	-	-	NP022333 NP250023	NP431952 NP378092	-	-	-	-
40								
TRAILER AXLE	-	-	NP417549 NP156827	NP417549 NP156827	-	-	-	-
41								
REAR AXLE - STD	-	-	33287 33462	3982 3920	-	-	-	-
REAR AXLE - IHC-W/RA-126	-	-	3984 3920	29585 29520	-	-	-	-
REAR AXLE - IHC-W/RA-127 & WHITE	-	-	33281 33462	39585 39520	-	-	-	-
42								
REAR AXLE - STD	-	Set408	495AX 493	39590 39520	-	370009A	309-0957	37425 39420
43								
REAR AXLE - BROCKWAY	-	-	42688 42620	3984 3920	-	370033A	-	38709
REAR AXLE - DIAMOND T & IHC	-	-	42688 42620	39585 39520	-	370033A	-	38709
REAR AXLE - DODGE	-	Set408	42688 42620	39590 39520	-	370033A	-	38709
REAR AXLE - FORD	-	-	495AX 493	3984 3920	-	-	-	-
REAR AXLE - GMC	-	Set408	495AX 493	39590 39520	-	-	-	-
44								
REAR AXLE - STD	-	Set408	495AX 493	39590 39520	-	-	-	-
REAR AXLE - DIAMOND T	-	-	42688 42620	39585 39520	-	370033A	-	38709
REAR AXLE - DODGE	-	Set408	42688 42620	39590 39520	-	370033A	-	38709
REAR AXLE - FORD	-	-	495AX 493	3984 3920	-	-	-	-
45								
REAR AXLE - STD	-	-	42688 42620	39585 39520	-	370008A	-	39380
REAR AXLE - CHEV, GMC & WHITE	-	Set408	495AX 493	39590 39520	-	370008A	-	39380
REAR AXLE - FORD	-	-	495AX 493	3984 3920	-	370008A	-	39380
46								
REAR AXLE - STD	-	Set408	495AX 493	39590 39520	-	-	-	-

Manufacturer Line Number	Inner Set	Outer Set	Inner (Cone/Cup)	Outer (Cone/Cup)				
					Timken	National	Stemco	SKF
DANA~ SPICER~ EATON (continued)								
REAR AXLE - DIAMOND T & IHC W/RA-136	-	-	42688 42620	39585 39520	-	370033A	-	38709
REAR AXLE - DODGE	-	Set408	42688 42620	39590 39520	-	370033A	-	38709
REAR AXLE - IHC W/RA-149/189	-	-	47678 47620	39585 39520	-	-	-	-
47								
REAR AXLE - STD	Set411	Set408	47686 47620	39590 39520	TKR849	370023A	309-0912	38780
48								
REAR AXLE - STD	Set411	Set408	47686 47620	39590 39520	TKR849	370023A	309-0912	38780
49								
REAR AXLE - STD	-	-	598 592A	575 572	TKR849	370023A	309-0912	38780
50								
REAR AXLE	Set411	Set408	47686 47620	39590 39520	-	-	-	-
51								
REAR AXLE - STD	-	Set401	594 592A	580 572	TKR858	370021A	309-0964	45160
REAR AXLE - FORD 4-76 ON	Set403	Set401	594A 592A	580 572	TKR858	370021A	309-0964	45160
52								
REAR AXLE - STD	-	Set401	594 592A	580 572	TKR858	370021A	309-0964	45160
REAR AXLE - FORD 4-76 ON	Set403	Set401	594A 592A	580 572	TKR858	370021A	309-0964	45160
REAR AXLE - PETERBILT, 19301/420	Set404	Set401	598A 592A	580 572	TKR860	370005A	309-0960	48000
53								
REAR AXLE - STD	-	Set401	594 592A	580 572	TKR858	370021A	309-0964	45160
REAR AXLE - FORD 4-76 ON	Set403	Set401	594A 592A	580 572	TKR858	370021A	309-0964	45160
REAR AXLE - IHC	Set403	Set401	594A 592A	580 572	TKR858	370021A	309-0964	45160
54								
REAR AXLE - STD	-	-	663 652	663 652	TKR852	370031A	309-0904	42672
55								
REAR AXLE - STD	-	-	663 652	663 652	TKR852	370031A	309-0904	42672
REAR AXLE - IHC-SOME	-	Set402	595 592A	582 572	TKR852	370031A	309-0904	42672
56								
REAR AXLE - STD; THRU 4-76	-	-	598 592A	575 572	TKR860	370005A	309-0960	48000
REAR AXLE - STD; 5-76 ON	Set403	Set401	594A 592A	580 572	TKR858	370021A	309-0964	45160
REAR AXLE - DODGE	Set404	-	598A 592A	575 572	TKR860	370005A	309-0960	48000
57								
REAR AXLE	-	Set401	394A 392A	580 572	-	-	-	-

Manufacturer Line Number	Inner Set	Outer Set	Inner (Cone/Cup)	Outer (Cone/Cup)				
					Timken	National	Stemco	SKF

DANA~ SPICER~ EATON (continued)

58 REAR AXLE - STD	-	-	760 752	665 652	-	370121A	-	48884
REAR AXLE - GMC & IHC-SOME	-	-	760 752	749 742	-	370121A	-	48884
59 TANDEM REAR AXLE - FORD	-	-	33281 33462	3982 3920	-	370047A	309-0935	34384 34387
TANDEM REAR AXLE - EXC FORD	-	-	33281 33462	39585 39520	-	370047A	309-0935	34384 34387
60 REAR AXLE	Set403	Set401	594A 592A	580 572	-	-	-	-
61 REAR AXLE - THRU 4-76	-	-	594 592A	-	TKR858	370021A	309-0964	45160
REAR AXLE - 5-76 ON	Set403	-	594A 592A	-	TKR858	370021A	309-0964	45160
REAR AXLE	-	Set401	-	580 572	-	-	-	-
62 REAR AXLE - STD	-	-	663 652	663 652	TKR854	370019A	309-0965	43860
63 TANDEM REAR AXLE - DIAMOND T, IHC, REO & WHITE	-	-	42688 42620	39585 39520	-	370033A	-	38709
TANDEM REAR AXLE - DODGE	-	Set408	42688 42620	39590 39520	-	370033A	-	38709
TANDEM REAR AXLE - FORD	-	-	495AX 493	3984 3920	-	370033A	-	38709
TANDEM REAR AXLE - GMC	-	Set408	495AX 493	39590 39520	-	370033A	-	38709
64 REAR AXLE	-	-	782 772	6580 6535	-	-	-	-
65 TANDEM REAR AXLE - CHEV & GMC	-	Set408	495AX 493	39590 39520	-	370033A	-	38709
TANDEM REAR AXLE - DIAMOND T & FORD	-	-	495AX 493	3984 3920	-	370033A	-	38709
TANDEM REAR AXLE - DODGE	-	Set408	42688 42620	39590 39520	-	370033A	-	38709
TANDEM REAR AXLE - IHC & WHITE	-	-	42688 42620	39585 39520	-	370033A	-	38709
66 REAR AXLE	-	-	760 752	749 742	-	-	-	-
67 TANDEM REAR AXLE - IHC	-	-	5760 5735	575 572	TKR849	370023A	309-0912	38780
68 TANDEM REAR AXLE - THRU 4-76	-	-	598 592A	575 572	TKR860	370005A	309-0960	48000

Manufacturer Line Number	Inner Set	Outer Set	Inner (Cone/Cup)	Outer (Cone/Cup)				
					Timken	National	Stemco	SKF

DANA~ SPICER~ EATON (continued)

TANDEM REAR AXLE - 5-76 ON	Set403	Set401	594A 592A	580 572	TKR858	370021A	309-0964	45160
TANDEM REAR AXLE - FORD 4-76 ON	Set403	Set401	594A 592A	580 572	TKR858	370021A	309-0964	45160
69 TANDEM REAR AXLE	-	Set401	595 592A	580 572	TKR854	370019A	309-0965	43860
70 TANDEM REAR AXLE - THRU 4-76	-	-	594 592A	-	TKR858	370021A	309-0964	45160
TANDEM REAR AXLE - 5-76 ON	Set403	-	594A 592A	-	TKR858	370021A	309-0964	45160
TANDEM REAR AXLE	-	Set401	-	580 572	TKR858	370021A	309-0964	45160
71 TANDEM REAR AXLE	-	-	760 752	749 742	-	370004A	-	48884
72 REAR AXLE - STD	Set411	Set408	47686 47620	39590 39520	TKR849	370023A	309-0912	38780
73 REAR AXLE - STD & FORGED HUB; THRU 4-76	-	-	598 592A	575 572	-	-	-	-
REAR AXLE - CAST HUB; THRU 4-76	-	-	575 572	575 572	TKR854	370019A	309-0965	43860
REAR AXLE - STD; 5-76 ON	Set403	Set401	594A 592A	580 572	TKR854	370019A	309-0965	43860
REAR AXLE - DODGE	Set404	-	598A 592A	575 572	TKR854	370019A	309-0965	43860
74 REAR AXLE - STD	-	Set401	594 592A	580 572	TKR858	370021A	309-0964	45160
REAR AXLE - FORD 4-76 ON	Set403	Set401	594A 592A	580 572	TKR858	370021A	309-0964	45160
75 TANDEM REAR AXLE	Set411	Set408	47686 47620	39590 39520	TKR849	370023A	309-0912	38780
76 TANDEM REAR AXLE - THRU 1977	-	-	598 592A	575 572	TKR854	370019A	309-0965	43860
TANDEM REAR AXLE - 1978 ON	Set403	Set401	594A 592A	580 572	TKR854	370019A	309-0965	43860
77 TANDEM REAR AXLE - THRU 1977	-	-	594 592A	-	-	-	-	-
TANDEM REAR AXLE - 1978 ON	Set403	-	594A 592A	-	-	-	-	-
TANDEM REAR AXLE	-	Set401	-	580 572	-	-	-	-
78 TANDEM REAR AXLE	Set403	-	594A 592A	-	TKR858	370021A	309-0964	45160

Manufacturer Line Number	Inner Set	Outer Set	Inner (Cone/Cup)	Outer (Cone/Cup)				
					Timken	National	Stemco	SKF

DANA~ SPICER~ EATON (continued)

79									
TANDEM REAR AXLE	Set403	Set401	594A 592A	580 572	- -	- -	- -	- -	- -
80									
TANDEM REAR AXLE	- -	Set401 -	- -	580 572	- -	- -	- -	- -	- -
81									
TANDEM REAR AXLE - THRU 1979	- -	- -	594 592A	- -	TKR858 -	370021A -	309-0964 -	45160 -	- -
TANDEM REAR AXLE - 1980 ON	Set403	-	594A 592A	- -	TKR858 -	370021A -	309-0964 -	45160 -	- -
TANDEM REAR AXLE	- -	Set401 -	- -	580 572	TKR858 -	370021A -	309-0964 -	45160 -	- -
82									
TANDEM REAR AXLE	Set403	Set401	594A 592A	580 572	- -	- -	- -	- -	- -
83									
TANDEM REAR AXLE	- -	- -	782 772	6580 6535	- -	- -	- -	- -	- -
84									
REAR AXLE	Set403	Set401	594A 592A	580 572	TKR849 -	370023A -	309-0912 -	38780 -	- -
85									
TANDEM REAR AXLE	Set403	-	594A 592A	- -	- -	- -	- -	- -	- -
86									
TANDEM REAR AXLE	- -	- -	760 752	749 742	- -	- -	- -	- -	- -
87									
TANDEM REAR AXLE	- -	- -	760 752	749 742	- -	- -	- -	- -	- -
88									
TRAILER AXLE	Set414	Set413	HM218248 HM218210	HM212049 HM212011	TKR859 -	370025A 1 -	307-0743 -	46305 -	- -
89									
TRAILER AXLE	- -	Set413 -	665A 653	HM212049 HM212011	TKR853 -	370037A -	307-0744 -	43752 -	- -
90									
TRAILER AXLE	Set403	Set401	594A 592A	580 572	TKR861 -	370003A -	309-0973 -	47697 -	- -
91									
TRAILER AXLE	Set414	Set413	HM218248 HM218210	HM212049 HM212011	TKR850 -	370036A -	307-0713 -	40136 -	- -
92									
TRAILER AXLE	Set414	Set413	HM218248 HM218210	HM212049 HM212011	TKR859 -	370025A -	307-0743 -	46305 -	- -
93									
TRAILER AXLE	- -	- -	593 592A	65390 65320	- -	- -	- -	- -	- -

1 Hub Mount

Manufacturer Line Number	Inner Set	Outer Set	Inner (Cone/Cup)	Outer (Cone/Cup)				
					Timken	National	Stemco	SKF

DANA~ SPICER~ EATON (continued)

94									
TRAILER AXLE	Set425	-	567 563	528 522	- -	370002A -	- -	35075 -	- -
95									
TRAILER AXLE	- -	- -	749 742	643 632	- -	370107A -	- -	42624 -	- -
96									
TRAILER AXLE	- -	Set406 -	HM212044 HM212011	3782 3720	TKR847 -	370001A -	308-0836 -	35066 -	- -
97									
TRAILER AXLE	- -	Set406 -	557A 553X	3782 3720	TKR858 -	370021A -	309-0964 -	45160 -	- -
98									
TRAILER AXLE	- -	- -	760 752	749 742	- -	370004A -	- -	48884 -	- -
100									
TRAILER AXLE	- -	- -	28995 28920	25580 25523	- -	370010A -	- -	28820 -	- -
101									
TRAILER AXLE	Set425	-	567 563	522 528	- -	370002A -	- -	35075 -	- -
102									
TRAILER AXLE	Set415	Set415	HM518445 HM518410	HM518445 HM518410	TKR851 -	370065A -	307-0723 -	42623 -	- -
103									
TRAILER AXLE	- -	- -	896 892	6580 6535	- -	- -	- -	- -	- -
104									
TRAILER AXLE	- -	- -	787 772	6580 6535	- -	- -	- -	- -	- -
105									
TRAILER AXLE	- -	Set406 -	557A 553X	3782 3720	TKR858 -	370021A -	309-0964 -	45160 -	- -
106									
TRAILER AXLE	- -	- -	896 892	6580 6535	- -	- -	- -	- -	- -
107									
TRAILER AXLE	- -	- -	593 592A	65390 65320	- -	- -	- -	- -	- -
108									
TRAILER AXLE	- -	Set406 -	557A 553X	3782 3720	TKR858 -	370021A -	309-0964 -	45160 -	- -
109									
TRAILER AXLE	- -	- -	593 592A	65390 65320	- -	- -	- -	- -	- -
110									
TRAILER AXLE	Set415	Set415	HM518445 HM518410	HM518445 HM518410	TKR851 -	370065A -	307-0723 -	42623 -	- -

Manufacturer Line Number	Inner Set	Outer Set	Inner (Cone/Cup)	Outer (Cone/Cup)				
					Timken	National	Stemco	SKF

DANA~ SPICER~ EATON (continued)

11	REAR AXLE - FORD	-	-	33281	-	-	370047A	309-0935	34384
		-	-	33462	-	-	-	-	34387
	REAR AXLE - IHC	-	-	33281	-	-	-	-	-
		-	-	33462	-	-	-	-	-
	REAR AXLE - WHITE	-	-	33281	-	-	-	-	-
		-	-	33462	-	-	-	-	-

FORD Axle Model Index

Model	Line No.	Model	Line No.	Model	Line No.	Model	Line No.
10000#	1	20000#	2	7000#	6	7500# HYD	10
12000#	1	5000#	3	7000#	7	8000#	11
16000#	2	5500#	4	7000# HYD	8	9000#	12
18000#	2	6000#	5	7500#	9	9000#	13

Manufacturer Line Number	Inner Set	Outer Set	Inner (Cone/Cup)	Outer (Cone/Cup)				
					Timken	National	Stemco	SKF

FORD

1	FRONT AXLE	Set412	Set406	HM212047	3782	-	370132A	308-0863	34975
		-	-	HM212011	3720	-	-	-	-

2	FRONT AXLE	Set423	-	6461A	555-S	-	370182A	-	43764
		-	-	6420	552A	-	-	-	-

3	FRONT AXLE	-	-	25590	25877	-	-	-	-
		-	-	25520	25820	-	-	-	-

4	FRONT AXLE	-	-	3778	25877	-	-	-	-
		-	-	3720	25820	-	-	-	-

5	FRONT AXLE - 66-67	-	-	3778	25877	-	370054A	-	28832
		-	-	3720	25820	-	-	-	-
	FRONT AXLE - 1968 On	Set410	-	45284	25880	-	370054A	-	28832
		-	-	45220	25820	-	-	-	-

6	FRONT AXLE - Thru 1975	Set410	-	45284	25880	-	370054A	-	28832
		-	-	45220	25820	-	-	-	-
	FRONT AXLE - 1976 On w/Air Brakes	-	-	-	3585	-	-	-	-
		-	-	-	3525	-	-	-	-

7	FRONT AXLE - 1976 On w/Air Brakes	-	-	39581	-	-	-	-	-
		-	-	39520	-	-	-	-	-

8	FRONT AXLE - Thru 1975	Set410	-	45284	25880	-	370054A	-	28832
		-	-	45220	25820	-	-	-	-
	FRONT AXLE - 1976 On	Set410	-	45284	25880	-	370054A	-	28832
		-	-	45220	25820	-	-	-	-

9	FRONT AXLE - 1976 On	-	-	39581	3585	-	-	-	-
		-	-	39520	3525	-	-	-	-

Manufacturer Line Number	Inner Set	Outer Set	Inner (Cone/Cup)	Outer (Cone/Cup)				
					Timken	National	Stemco	SKF

FORD (continued)

10	FRONT AXLE - Thru 1975	Set410	-	45284	25880	-	370054A	-	28832
		-	-	45220	25820	-	-	-	-

11	FRONT AXLE - Thru 1975	Set410	-	45284	25880	-	370054A	-	28832
		-	-	45220	25820	-	-	-	-
	FRONT AXLE - 1976 On w/Hyd Brakes	-	-	39581	3585	-	370054A	-	28832
		-	-	39520	3525	-	-	-	-

12	FRONT AXLE - Thru 1975	Set410	-	45284	25880	TKR847	370001A	308-0836	35066
		-	-	45220	25820	-	-	-	-
	FRONT AXLE - 1976 On w/Air or Hyd Brakes ..	-	-	39581	3585	-	370132A	308-0863	34975
		-	-	39520	3525	-	-	-	-

13	FRONT AXLE - AIR & HYD BRKS	-	-	39581	3585	-	370132A	308-0863	34975
		-	-	39520	3525	-	-	-	-

FRUEHAUF Axle Model Index

Model	Line No.	Model	Line No.	Model	Line No.	Model	Line No.
NO. 5	1	PRO-PAR	2				

Manufacturer Line Number	Inner Set	Outer Set	Inner (Cone/Cup)	Outer (Cone/Cup)				
					Timken	National	Stemco	SKF

FRUEHAUF

1	TRAILER AXLE	-	-	593	HH506348	TKR851	370065A	307-0723	42623
		-	-	592A	HH506310	-	-	-	-

2	TRAILER AXLE	Set415	Set415	HM518445	HM518445	-	-	-	-
		-	-	HM518410	HM518410	-	-	-	-

FRUEHAUF CANADA INC. Axle Model Index

Model	Line No.	Model	Line No.	Model	Line No.	Model	Line No.
NO. 5	1	R-S TK-570 & S-F A-19S	2				

Manufacturer Line Number	Inner Set	Outer Set	Inner (Cone/Cup)	Outer (Cone/Cup)				
					Timken	National	Stemco	SKF

FRUEHAUF CANADA INC.

1	-	-	593	HH506348	TKR851	370065A	307-0723	42623
		-	-	592A	HH506310	-	-	-	-

2	Set405	Set413	663	HM212049	-	-	-	-
		-	-	653	HM212011	-	-	-	-

FWD Axle Model Index

Model	Line No.	Model	Line No.	Model	Line No.	Model	Line No.
22	1	2621	2	2SCB	4	33	8
22A	1	2A	3	2SDC	4	33A	8
22HD	1	2B	4	32	4	3A	9
23	7	2C	4	32A	4	3B	10
23L	7	2SC	4	32R	4	3C	10

FWD Axle Model Index (continued)

Model	Line No.	Model	Line No.	Model	Line No.	Model	Line No.
3D	11	6-23	15	ND-22	5		
3SC	12	6-23L	15	ND-32	6		
3SCB	12	6-33	16	ND-32A	6		
3SD	13	6-33AR	16				
3SDC	13	6-33ART	16				
5644	14	6-33H	16				

Manufacturer Line Number	Inner Set	Outer Set	Inner (Cone/Cup)	Outer (Cone/Cup)	Timken	National	Stemco	SKF
--------------------------	-----------	-----------	------------------	------------------	--------	----------	--------	-----

FWD

1	FRONT AXLE	Set425	-	567 563	33275 33462	-	-	-	-
2	FRONT AXLE	-	Set411	749 742	47686 47620	-	-	-	-
3	FRONT AXLE	Set425	-	567 563	33275 33462	-	-	-	-
4	FRONT AXLE	-	Set411	749 742	47686 47620	-	-	-	-
5	FRONT AXLE	Set425	-	567 563	33275 33462	-	-	-	-
6	FRONT AXLE	-	Set411	749 742	47686 47620	-	-	-	-
7	REAR AXLE	-	-	644 633	644 633	-	-	-	-
8	REAR AXLE	-	-	749 742	749 742	-	-	-	-
9	REAR AXLE	-	-	29685 29620	29685 29620	-	-	-	-
10	REAR AXLE	-	-	595 592A	581 572	-	-	-	-
11	REAR AXLE	-	-	749 742	749 742	-	-	-	-
12	REAR AXLE	-	-	595 592A	581 572	-	-	-	-
13	REAR AXLE	-	-	749 742	749 742	-	-	-	-
14	REAR AXLE	-	-	595 592A	581 572	-	-	-	-

Manufacturer Line Number	Inner Set	Outer Set	Inner (Cone/Cup)	Outer (Cone/Cup)	Timken	National	Stemco	SKF
--------------------------	-----------	-----------	------------------	------------------	--------	----------	--------	-----

FWD (continued)

15	REAR AXLE	-	-	644 633	644 633	-	-	-	-
16	REAR AXLE	-	-	749 742	749 742	-	-	-	-

GMC Axle Model Index

Model	Line No.	Model	Line No.	Model	Line No.	Model	Line No.
F-040 (4000 #)	1	F-090 (9000#)	4	FD-070	7	H-170	10
F-045 (4500#)	2	F-110	5	H-110 (11,000#)	8	T-150 (15,000#)	11
F-050 (5000#)	2	F-120	5	H-130	9	T-170 (17,000#)	12
F-055 (5500#)	2	F-150	6	H-135	9		
F-070 (7000#)	3	F-160	6	H-150	10		

Manufacturer Line Number	Inner Set	Outer Set	Inner (Cone/Cup)	Outer (Cone/Cup)	Timken	National	Stemco	SKF
--------------------------	-----------	-----------	------------------	------------------	--------	----------	--------	-----

GMC

1	FRONT AXLE - GMC, 66-67	-	-	2777 2720	-	-	-	-	-
	FRONT AXLE - CHEV; GMC, 68-69	-	-	25582 25520	-	-	-	-	-
	FRONT AXLE	-	-	-	M12649 M12610	-	-	-	-
2	FRONT AXLE	-	-	3578A 3525	15103S 15243	-	-	-	-
3	FRONT AXLE	Set410	-	45284 45220	2796 2720	-	370145A	-	31175
4	FRONT AXLE	-	-	39581 39520	26878 26820	-	370018A	-	32470
5	FRONT AXLE	Set412	-	HM212047 HM212011	-	-	370012A	-	36285
	FRONT AXLE - 66-67	-	-	-	3779 3720	-	370012A	-	36285
	FRONT AXLE - 1968 ON	-	-	-	45282 45220	-	370012A	-	36285
6	FRONT AXLE	-	-	6386A 6320	537 532A	-	370015A	-	40040
7	FRONT DRIVE AXLE	-	-	36690 36620	36690 36620	-	-	-	-
8	REAR AXLE	-	-	395CS 394CS	-	-	370046A	-	31307

Manufacturer Line Number	Inner Set	Outer Set	Inner (Cone/Cup)	Outer (Cone/Cup)				
					Timken	National	Stemco	SKF
GMC (continued)								
REAR AXLE - 1966	-	-	-	388A	-	370046A	-	31307
	-	-	-	382	-	-	-	-
REAR AXLE - 1967	-	-	-	388A	-	370046A	-	31307
	-	-	-	382	-	-	-	-
REAR AXLE - 1968 ON	-	-	-	395CS	-	370046A	-	31307
	-	-	-	394CS	-	-	-	-
9								
REAR AXLE	-	-	395CS	388A	-	370046A	-	31307
	-	-	394CS	382	-	-	-	-
10								
REAR AXLE	-	-	M514546	M111048	-	-	-	-
	-	-	M514512	M111012	-	-	-	-
11								
REAR AXLE - 1966, wo/15" BRKS	-	-	M514546	M111048	-	370106A	-	42550
	-	-	M514512	M111012	-	-	-	-
REAR AXLE - CHEV	-	-	33287	3982	-	370106A	-	42550
	-	-	33472	3925	-	-	-	-
REAR AXLE - GMC, 1966	-	-	33287	3982	-	370106A	-	42550
	-	-	33472	3925	-	-	-	-
REAR AXLE - 1967 ON	-	-	33281	-	-	370106A	-	42550
	-	-	33472	-	-	-	-	-
REAR AXLE - GMC, 1967 ON	-	-	-	3984	-	370106A	-	42550
	-	-	-	3925	-	-	-	-
12								
REAR AXLE	-	Set408	495AX	39590	-	370106A	-	42550
	-	-	493	39520	-	-	-	-

HAYES-DANA INC. Axle Model Index

Model	Line No.	Model	Line No.	Model	Line No.	Model	Line No.
K-14 SERIES	1	K-21 Series	4	K-22 SERIES	5	K-30 SERIES	7
K-20	2	K-21 SERIES	3	K-25 SERIES	6		

Manufacturer Line Number	Inner Set	Outer Set	Inner (Cone/Cup)	Outer (Cone/Cup)				
					Timken	National	Stemco	SKF
HAYES-DANA INC.								
1								
TRAILER AXLE	Set425	-	567	528	-	-	-	-
	-	-	563	522	-	-	-	-
2								
TRAILER AXLE	Set405	Set413	663	HM212049	-	-	-	-
	-	-	653	HM212011	-	-	-	-
3								
TRAILER AXLE	Set405	Set413	663	HM212049	-	-	-	-
	-	-	653	HM212011	-	-	-	-
4								
TRAILER AXLE	Set405	Set413	663	HM212049	-	-	-	-
	-	-	653	HM212011	-	-	-	-
5								
TRAILER AXLE	Set414	Set413	HM218248	HM212049	TKR859	370025A	307-0743	46305
	-	-	HM218210	HM212011	-	-	-	-
6								
TRAILER AXLE	-	-	749	643	-	-	-	-
	-	-	742	632	-	-	-	-

Manufacturer Line Number	Inner Set	Outer Set	Inner (Cone/Cup)	Outer (Cone/Cup)				
					Timken	National	Stemco	SKF
HAYES-DANA INC. (continued)								
7								
TRAILER AXLE	-	-	759	740	-	370192A	-	45162
	-	-	752	742	-	-	-	-

NAVISTAR (IHC) Axle Model Index

Model	Line No.	Model	Line No.	Model	Line No.	Model	Line No.
FA-101	1	FA-51	17	FA-98	33	RA-418	58
FA-102	2	FA-54	17	FA-99	33	RA-42	51
FA-103	3	FA-55	18	RA-180	36	RA-420	59
FA-104	3	FA-57	19	RA-199	37	RA-421	59
FA-109	4	FA58	35	RA-250	39	RA-422	59
FA-118	5	FA-59	19	RA-25/27	38	RA-423	60
FA-119	6	FA-60	20	RA-29	40	RA-438	61
FA-127	7	FA-65	21	RA-294	41	RA-439	61
FA-139	7	FA-68	22	RA-30	42	RA-44	51
FA-140	8	FA-69	23	RA-305	43	RA-441	62
FA-242	9	FA-70	24	RA-307	43	RA-441	62
FA248	34	FA-71	25	RA-341	44	RA-47	52
FA-309	10	FA-72	26	RA-35	45	RA-472	53
FA-329	10	FA-73	27	RA-351	46	RA-474	53
FA-336	11	FA-74	27	RA-355	47	RA-560	62
FA-337	11	FA-75	28	RA-386	48	RA-57	54
FA-338	12	FA-76	28	RA-387	49	RA-570	62
FA-339	13	FA-78	29	RA-39	50	RA-571	62
FA-340	14	FA-80	30	RA-400	55		
FA-342	15	FA-81	31	RA-410	56		
FA-41	16	FA-90	32	RA-411	56		
FA-48	16	FA-91	33	RA-417	57		

Manufacturer Line Number	Inner Set	Outer Set	Inner (Cone/Cup)	Outer (Cone/Cup)				
					Timken	National	Stemco	SKF
NAVISTAR (IHC)								
1								
FRONT AXLE	-	-	JM207049A	25877	-	370150A	308-0866	28758
	-	-	JM207010	25820	-	-	-	-
2								
FRONT AXLE	-	-	39581	3585	TKR847	370001A	308-0836	35066
	-	-	39520	3525	-	-	-	-
3								
FRONT AXLE	-	-	JM207049A	25877	-	370150A	308-0866	28758
	-	-	JM207010	25820	-	-	-	-
4								
FRONT AXLE	-	-	641	-	-	-	-	-
	-	-	632	-	-	-	-	-
FRONT AXLE	-	Set407	-	28682	TKR857	370131A 7	308-0855	45103
	-	-	-	28622	TKR857	-	308-0856	45103
FRONT AXLE	-	-	-	3979	TKR855	370124A 8	308-0853	44922
	-	-	-	3920	-	-	-	-
5								
FRONT AXLE	Set420	-	H715345	-	-	-	-	-
	-	-	H715311	-	-	-	-	-
FRONT AXLE	-	Set407	-	28682	-	370171A 7	-	-
	-	-	-	28622	-	-	-	-
FRONT AXLE	-	-	-	3979	TKR855	370124A 8	308-0853	44922
	-	-	-	3920	-	-	-	-

7 Cast Wheels 8 Disc Wheels

Manufacturer Line Number	Inner Set	Outer Set	Inner (Cone/Cup)	Outer (Cone/Cup)				
					Timken	National	Stemco	SKF

NAVISTAR (IHC) (continued)

6	FRONT AXLE	-	-	36990 36920	36990 36920	-	-	-	-
7	FRONT AXLE	Set420	-	H715345 H715311	-	-	-	-	-
	FRONT AXLE	-	Set407	-	28682 28622	-	370171A 7	-	-
	FRONT AXLE	-	-	-	3979 3920	TKR855	370124A 8	308-0853	44922
8	FRONT AXLE	-	-	36990 36920	36990 36920	-	-	-	-
9	FRONT AXLE	Set420	Set407	H715345 H715311	28682 28622	TKR857 TKR857	370131A	308-0855 308-0856	45103 45103
10	FRONT AXLE	Set413	Set407	HM212049 HM212011	28682 28622	TKR855	370124A	308-0853	44922
11	FRONT AXLE	Set420	-	H715345 H715311	555-S 552A	TKR857 TKR857	370131A	308-0855 308-0856	45103 45103
12	FRONT AXLE	Set420	Set407	H715345 H715311	28682 28622	TKR857 TKR857	370131A	308-0855 308-0856	45103 45103
13	FRONT AXLE	Set413	Set407	HM212049 HM212011	28682 28622	TKR855	370124A	308-0853	44922
14	FRONT AXLE	Set420	Set407	H715345 H715311	28682 28622	TKR857 TKR857	370131A	308-0855 308-0856	45103 45103
15	FRONT AXLE	Set420	-	H715345 H715311	555-S 552A	TKR857 TKR857	370131A	308-0855 308-0856	45103 45103
16	FRONT AXLE	-	-	26881 26823	-	-	-	-	-
	FRONT AXLE	-	-	26884 26823	-	-	-	-	-
	FRONT AXLE	-	-	-	1779 1729X	-	-	-	-
17	FRONT AXLE	-	-	469 453X	3780 3720	-	-	-	-
18	FRONT AXLE - W/S164-4X4, SF160-6X6, SF180-6X6	-	-	- 33275 33472	- 399A 394A	-	-	-	-
	FRONT AXLE - W/S170/180-4X4	-	-	3578 3525	2689 2620	-	-	-	-
	FRONT AXLE - EXC S164, SF160, SF180	-	-	47490 47420	395A 394A	-	-	-	-

7 Cast Wheels 8 Disc Wheels

Manufacturer Line Number	Inner Set	Outer Set	Inner (Cone/Cup)	Outer (Cone/Cup)				
					Timken	National	Stemco	SKF

NAVISTAR (IHC) (continued)

19	FRONT AXLE	-	-	36690 36620	36690 36620	-	-	-	-
20	FRONT AXLE	-	-	3578 3525	2689 2620	-	-	-	-
21	FRONT AXLE	-	-	33895 33821	3196 3120	-	-	-	-
22	FRONT AXLE	-	-	3578 3525	2689 2620	-	-	-	-
23	FRONT AXLE	-	-	3778 3720	2689 2620	-	-	-	-
24	FRONT AXLE	-	-	3578 3525	2689 2620	-	-	-	-
25	FRONT AXLE	-	-	JM205149A JM205110	25877 25820	-	370150A	308-0866	28758
26	FRONT AXLE	-	-	3578 3525	2689 2620	-	-	-	-
27	FRONT AXLE	-	-	JM205149A JM205110	25877 25820	-	370150A	308-0866	28758
28	FRONT AXLE	-	-	47490 47420	395A 394A	-	-	-	-
29	FRONT AXLE	-	-	566 563	33269 33462	-	-	-	-
30	FRONT AXLE	-	-	33891 33821	3196 3120	-	370352A	-	27438
31	FRONT AXLE	-	-	566 563	33269 33462	-	-	-	-
32	FRONT AXLE	-	-	539 532A	440 432	-	-	-	-
33	FRONT AXLE	-	-	33895 33821	3196 3120	-	-	-	-
34	FRONT AXLE	-	-	47490 47420	395A 394A	-	-	-	-

Manufacturer Line Number	Inner Set	Outer Set	Inner (Cone/Cup)	Outer (Cone/Cup)	Manufacturer			
					Timken	National	Stemco	SKF

NAVISTAR (IHC) (continued)

35	FRONT AXLE	-	-	469 453X	3780 3720	-	-	-	-
36	REAR AXLE	-	-	760 752	749 742	-	370004A	-	48884
37	REAR AXLE	-	-	47678 47620	39585 39520	TKR849	370023A	309-0912	38780
38	REAR AXLE	-	-	3984 3920	29585 29520	-	-	-	-
39	REAR AXLE	-	-	598 592A	575 572	TKR849	370023A	309-0912	38780
40	REAR AXLE	-	-	33287 33462	39585 39520	-	370169A	-	35000
41	REAR AXLE	-	-	850 832	782 772	-	-	-	-
42	REAR AXLE	-	-	33281 33462	39585 39520	-	-	-	-
43	REAR AXLE	-	-	42688 42620	39585 39520	-	370033A	-	38709
44	TANDEM REAR AXLE	-	-	42688 42620	39585 39520	-	370033A	-	38709
	TANDEM REAR AXLE - SOME	-	-	47678 47620	-	-	-	-	-
45	REAR AXLE	-	-	42688 42620	39585 39520	-	370033A	-	38709
46	REAR AXLE	Set411	Set408	47686 47620	39590 39520	TKR849	370023A	309-0912	38780
47	TANDEM REAR AXLE	Set403	Set401	594A 592A	580 572	TKR858	370021A	309-0964	45160
48	TANDEM REAR AXLE	Set411	Set408	47686 47620	39590 39520	TKR849	370023A	309-0912	38780
	TANDEM REAR AXLE - w/22.5 X14.00 Rims & 6 Spoke Rim (1970 On)	-	Set413	-	HM212049 HM212011	-	-	-	-
49	TANDEM REAR AXLE	Set403	Set401	594A 592A	580 572	TKR858	370021A	309-0964	45160

Manufacturer Line Number	Inner Set	Outer Set	Inner (Cone/Cup)	Outer (Cone/Cup)	Manufacturer			
					Timken	National	Stemco	SKF

NAVISTAR (IHC) (continued)

50	REAR AXLE	-	-	47678 47620	39585 39520	TKR849	370023A	309-0912	38780
51	REAR AXLE	Set411	Set408	47686 47620	39590 39520	TKR849	370023A	309-0912	38780
52	REAR AXLE	Set403	Set401	594A 592A	580 572	TKR858	370021A	309-0964	45160
53	TANDEM REAR AXLE	Set403	Set401	594A 592A	580 572	TKR858	370021A	309-0964	45160
54	REAR AXLE	Set403	Set401	594A 592A	580 572	TKR861	370003A	309-0973	47697
55	TRAILER AXLE	Set403	Set401	594A 592A	580 572	TKR858	370021A	309-0964	45160
56	TRAILER AXLE	Set425	-	567 563	528 522	-	370013A	-	35075
57	TRAILER AXLE	Set405	Set413	663 653	HM212049 HM212011	TKR850	370036A	307-0713	40136
58	TRAILER AXLE	Set403	Set401	594A 592A	580 572	TKR858	370021A	309-0964	45160
59	TRAILER AXLE	Set405	Set413	663 653	HM212049 HM212011	TKR850	370036A	307-0713	40136
60	TRAILER AXLE	Set403	Set401	594A 592A	580 572	TKR858	370021A	309-0964	45160
61	TRAILER AXLE	-	Set406	557A 553X	3782 3720	TKR858	370021A	309-0964	45160
62	TRAILER AXLE	Set405	Set413	663 653	HM212049 HM212011	TKR850	370036A	307-0713	40136

INGERSOLL MACHINE & TOOL CO. Axle Model Index

Model	Line No.	Model	Line No.	Model	Line No.	Model	Line No.
A15S	1	A21S	3	A26S	5	A65S	7
A19H/S	2	A22H/S	4	A45S	6		

Manufacturer Line Number	Inner Set	Outer Set	Inner (Cone/Cup)	Outer (Cone/Cup)				
					Timken	National	Stemco	SKF

INGERSOLL MACHINE & TOOL CO.

1	TRAILER AXLE	Set425	-	567 563	528 522	-	-	-	-
2	TRAILER AXLE	Set405	Set413	663 653	HM212049 HM212011	-	-	-	-
3	TRAILER AXLE	-	-	749 742	643 632	-	-	-	-
4	TRAILER AXLE	Set414	Set413	HM218248 HM218210	HM212049 HM212011	-	-	-	-
5	TRAILER AXLE	-	-	759 752	740 742	-	-	-	-
6	TRAILER AXLE	-	-	787 772	6580 6535	-	-	-	-
7	TRAILER AXLE	-	-	896 892	6580 6535	-	-	-	-

ISUZU Axle Model Index

Model	Line No.	Model	Line No.	Model	Line No.	Model	Line No.
EVR	1	FTR	2	FVR	3	NPR	4

Manufacturer Line Number	Inner Set	Outer Set	Inner (Cone/Cup)	Outer (Cone/Cup)				
					Timken	National	Stemco	SKF

ISUZU

1	-	-	H414245A H414210	-	-	-	-
2	Set412	-	HM212047 HM212011	4388 4335	-	-	-
3	-	-	H414245A H414210	-	-	-	-
4	-	-	29585 29520	28680 28622	-	-	-

KAY-BRUNNER Axle Model Index

Model	Line No.	Model	Line No.	Model	Line No.	Model	Line No.
KB4	1	S37	3	T18W	10	XHT-21	14
KB5	1	S53	4	T-21	8		
KB6	1	S65	5	T-27	9		
KB7	1	T-100	6	T37	11		
KB8	1	T-11	7	T53	12		
KBW	2	T145	10	T65	13		

Manufacturer Line Number	Inner Set	Outer Set	Inner (Cone/Cup)	Outer (Cone/Cup)				
					Timken	National	Stemco	SKF

KAY-BRUNNER

1	TRAILER AXLE	Set405	Set413	663 653	HM212049 HM212011	TKR850	370036A 1 370349A 2	307-0713 307-0713	40136 40136
2	TRAILER AXLE	Set414	Set413	HM218248 HM218210	HM212049 HM212011	TKR859	370025A	307-0743	46305
3	TRAILER AXLE	-	-	861 854	740 742	-	-	-	-
4	TRAILER AXLE	-	-	938 932	861 854	-	-	-	-
5	TRAILER AXLE	-	-	95525 95925	67390 67320	-	-	-	-
6	TRAILER AXLE	-	-	93800 93125	93708 93125	-	-	-	-
7	TRAILER AXLE	-	-	560 552A	419 414	-	-	-	-
8	TRAILER AXLE	-	Set413	749 742	HM212049 HM212011	-	-	-	-
9	TRAILER AXLE	-	-	759 752	749 742	-	370057A	-	48796
10	TRAILER AXLE	Set405	Set413	663 653	HM212049 HM212011	TKR850	370036A 1 370349A 2	307-0713 307-0713	40136 40136
11	TRAILER AXLE	-	-	861 854	740 742	-	-	-	-
12	TRAILER AXLE	-	-	938 932	861 854	-	-	-	-
13	TRAILER AXLE	-	-	95525 95925	67390 67320	-	-	-	-
14	TRAILER AXLE	-	Set413	749 742	HM212049 HM212011	-	-	-	-

KGI LIMITED Axle Model Index

Model	Line No.	Model	Line No.	Model	Line No.	Model	Line No.
K250	1	KG225	2				

1 Hub Mount 2 Spindle Mount

Manufacturer Line Number	Inner Set	Outer Set	Inner (Cone/Cup)	Outer (Cone/Cup)	Timken	National	Stemco	SKF
KGI LIMITED								
1								
TRAILER AXLE	-	-	749	643	-	-	-	-
	-	-	742	632	-	-	-	-
2								
TRAILER AXLE	Set405	Set413	663	HM212049	-	-	-	-
	-	-	653	HM212011	-	-	-	-

MACK Axle Model Index

Model	Line No.	Model	Line No.	Model	Line No.	Model	Line No.
EW-48	36	FAN-5351	30	RADP-1205	58	SWD-59	85
EW-573	37	FANL-535	30	RADP-1206	58	SWD-592	85
EW-57	38	FANL-5351	30	RAS-23	59	SWD-5921	85
FA-1000	1	FAS-491	31	RAS-301	60	SWD-593	85
FA-1001	1	FAS-525	32	RAS-307	61	SWD-5951	86
FA-1002	1	FAS-605	33	RAS-507	62	SWD-68	87
FA-1003	1	FAS-6051	33	RAS-508	62	SWD-681	87
FA-301	2	FAW-536	34	RAS-509	62	SWD-682	87
FA-505	3	FAW-537	34	RAS-512	62	SWD-6821	87
FA-507	4	FAW-538	34	RASP-1203	63	SWD-69	88
FA-5071	4	FAW-6044	35	RASP-1300	64	SWD-691	88
FA-511	5	FAW-612	35	RASP-1301	64	SWD-73	89
FA-5111	5	FAW-616	35	RASP-1303	64	SWD-731	90
FA-512	6	FAW-617	35	SA-38	65	SWD-732	90
FA-514	6	FAW-619	35	SC-342	65	SWD-7321	90
FA-5141	7	RA2DT-306	39	SC-38	65	SWD-75	91
FA-517	8	RA2DT-518	40	SH-34	65	SWD-751	92
FA-522	9	RA2DT-519	40	SH-342	66	SWD-76	93
FA-5221	9	RA2DT-521	40	SH-38	67	SWD-761	94
FA-523	9	RA2DT-5211	40	SHB-342	68	SWD-762	94
FA-5231	9	RA2DT-532	41	SHB-38	69	SWD-7621	94
FA-532	10	RAD-111	42	SS-34	70	SWD-83	95
FA-5321	10	RAD-1141	43	SS-342	70	SWD-831	95
FA-534	11	RAD-23	44	SS-38	71	SWD-832	95
FA-5341	11	RAD-231	44	SS-441	72	SWD-833	95
FA-535	12	RAD-29	45	SS-55	73	SWD-84	95
FA-5351	12	RAD-303	46	SS-551	73	SWD-841	95
FA-600	13	RAD-305	46	SS-65	74	SWD-842	95
FA-6001	13	RAD-307	47	SSB-38	75	SWD-843	95
FA-601	13	RAD-508	48	ST-34	75	SWDL-56	96
FA-6011	13	RAD-508	48	SW-342	75	SWDL-563	96
FA-6044	14	RAD-509	48	SW-38	76	SWDL-564	96
FA-612	15	RAD-512	48	SW-441	76	SWDL-73	97
FA-700	16	RAD-529	48	SW-55	77	SWDL-731	98
FA-701	16	RAD-5291	48	SW-551	78	SWDL-732	98
FA-702	16	RAD-530	48	SW-65	79	SWDL-7321	98
FA-703	17	RAD-533	49	SW-80	80	SWDL-75	99
FA-704	18	RAD-606	50	SWA-57	81	SWDL-751	100
FA-800	19	RAD-608	50	SWB-342	81	SWDL-76	101
FA-801	19	RAD-703	50	SWB-38	81	SWDL-761	102
FA-900	20	RAD-704	50	SWC-562	81	SWDL-762	102
FA-901	20	RAD-705	50	SWC-57	81	SWDL-7621	102
FAD-605	21	RAD-706	50	SWD-56	81	SWDL-78	103
FAFW-537	22	RAD-707	50	SWD-561	82	SWDL-781	104
FAL-5051	23	RAD-708	50	SWD-57	83	SWDL-782	104
FAL-5071	24	RADF-1000	51	SWD-5701	83	SWDL-783	104
FAL-522	25	RADL-515	52	SWD-571	83	SWDP-43	105
FAL-5221	25	RADL-5153	52	SWD-5711	83	SWDR-48	106
FAL-523	25	RADL-528	53	SWD-572	83	SWH-56	107
FAL-5231	25	RADL-5281	53	SWD-573	83	SWH-562	107
FAL-532	26	RADL-529	54	SWD-5731	83	SWH-57	107
FAL5321	28	RADL-5291	54	SWD-574	83	SWH-573	108
FAL-535	27	RADL-533	55	SWD-5741	83	SWH-76	109
FAN-534	29	RADP-1000	56	SWD-575	83	SWH-762	110
FAN-5341	29	RADP-1001	56	SWD-5751	83	SWP-800	111
FAN-535	30	RADP-1201	57	SWD-58	84	SWP-801	111

MACK Axle Model Index (continued)

Model	Line No.	Model	Line No.	Model	Line No.	Model	Line No.
SWS-56	112	SWS-68	113	SWSP-642	118	SWW-68	121
SWS-562	112	SWS-681	113	SWSP-72	119	SWW-681	121
SWS-57	112	SWS-76	114	SWTL-56	120	SWW-69	122
SWS-570	112	SWS-92	115	SWW-562	120	SWW-76	123
SWS5711	116	SWS-93	115	SWW-57	120	SWW-762	124
SWS573	116	SWS-94	115	SWW-571	120	SWWL-56	124
SWS5731	116	SWSL-56	117	SWW-573	120	SWWL-562	124
SWS-59	113	SWSP-64	118	SWW-59	118	SWWP-90	125
SWS-592	113	SWSP-641	118	SWW-592	121	SWWP-95	125

Manufacturer Line Number	Inner Set	Outer Set	Inner (Cone/Cup)	Outer (Cone/Cup)	Timken	National	Stemco	SKF
--------------------------	-----------	-----------	------------------	------------------	--------	----------	--------	-----

MACK

1	FRONT AXLE	-	-	EE107057 107105	6580 6535	-	-	-	-
2	FRONT AXLE	-	-	49580 49521	2790 2720	-	-	-	-
3	FRONT AXLE	-	-	4595 4536	418 414A	-	370014A	-	31281
4	FRONT AXLE	-	-	559 552A	526 522	-	370011A	-	36358
5	FRONT AXLE	-	-	4595 4536	418 414A	-	370014A	-	31281
6	FRONT AXLE	-	-	559 552A	526 522	-	370011A	-	36358
7	FRONT AXLE - w/Std Whls to 1968 & All 1968-69 w/Alum Whls	-	-	- 559 552A	- 526 522	-	- 370011A	-	- 36358
	FRONT AXLE - w/Std Whls After 1968 RC	-	-	3982 3920	3877 3820	-	370011A	-	36358
8	FRONT AXLE	-	-	559 552A	526 522	-	370011A	-	36358
9	FRONT AXLE	-	-	641 633	65385 65320	-	370198A	-	-
10	FRONT AXLE - w/Std Whls to 1968 & All 1968-69 w/Alum Whls	-	-	- 641 633	- 65385 65320	-	- 370198A	-	- -
	FRONT AXLE - w/Std Whls After 1968 RC	Set413	Set409	HM212049 HM212011	45280 45220	-	370033A	-	38709
11	FRONT AXLE - w/Std Whls to 1968 & All 1968-69 w/Alum Whls	-	-	- 4595 4536	- 418 414A	-	- 370014A	-	- 31281
	FRONT AXLE - w/Std Whls After 1968 RC	-	-	39578 39520	25572 25520	-	370014A	-	31281

Manufacturer Line Number	Inner Set	Outer Set	Inner (Cone/Cup)	Outer (Cone/Cup)				
					Timken	National	Stemco	SKF

MACK (continued)

12	FRONT AXLE - w/Std Whls to 1968 & All 1968-69 w/Alum Whls								
	-	-	-	-	-	-	-	-	-
	-	-	559	526	-	370011A	-	-	36358
	-	-	552A	522	-	-	-	-	-
	FRONT AXLE - w/Std Whls After 1968 RC								
	-	-	3982	3877	-	370011A	-	-	36358
	-	-	3920	3820	-	-	-	-	-
13	FRONT AXLE - w/Std Whls to 1968 & All 1968-69 w/Alum Whls								
	-	-	-	-	-	-	-	-	-
	-	-	6461	621	-	370198A	-	-	-
	-	-	6420	612	-	-	-	-	-
	FRONT AXLE - w/Std Whls After 1968 RC								
	-	-	5760	45287	-	-	-	-	-
	-	-	5735	45220	-	-	-	-	-
14	FRONT AXLE								
	Set423	-	6461A	555-S	-	370182A	-	-	43764
	-	-	6420	552A	-	-	-	-	-
15	FRONT AXLE								
	Set423	-	6461A	555-S	-	370020A	309-0964	-	-
	-	-	6420	552A	-	-	-	-	-
16	FRONT AXLE								
	-	-	665	4595	-	370020A	309-0964	-	-
	-	-	653	4535	-	-	-	-	-
17	FRONT AXLE								
	-	-	758	4595	-	-	-	-	-
	-	-	752A	4535	-	-	-	-	-
18	FRONT AXLE								
	-	-	665	4595	-	370020A	309-0964	-	-
	-	-	653	4535	-	-	-	-	-
19	FRONT AXLE								
	-	-	HH221449	664	-	-	-	-	-
	-	-	HH221410	652	-	-	-	-	-
20	FRONT AXLE								
	-	-	941	749	-	-	-	-	-
	-	-	932	742	-	-	-	-	-
21	FRONT DRIVE AXLE								
	-	-	71450	52400	-	-	-	-	-
	-	-	71750	52637	-	-	-	-	-
22	FRONT AXLE								
	Set413	Set409	HM212049	45280	-	370033A	-	-	38709
	-	-	HM212011	45220	-	-	-	-	-
23	FRONT AXLE								
	-	-	4595	418	-	370014A	-	-	31281
	-	-	4536	414A	-	-	-	-	-
24	FRONT AXLE								
	-	-	559	526	-	370011A	-	-	36358
	-	-	552A	522	-	-	-	-	-
25	FRONT AXLE								
	-	-	641	65385	-	370198A	-	-	-
	-	-	633	65320	-	-	-	-	-
26	FRONT AXLE - w/Std Whls to 1968 & All 1968-69 w/Alum Whls								
	-	-	-	-	-	-	-	-	-
	-	-	641	65385	-	370198A	-	-	-
	-	-	633	65320	-	-	-	-	-

Manufacturer Line Number	Inner Set	Outer Set	Inner (Cone/Cup)	Outer (Cone/Cup)				
					Timken	National	Stemco	SKF

MACK (continued)

FRONT AXLE - w/Std Whls After 1968 RC									
	Set413	Set409	HM212049	45280	-	370033A	-	-	38709
	-	-	HM212011	45220	-	-	-	-	-
27	FRONT AXLE - w/Std Whls to 1968 & All 1968-69 w/Alum Whls								
	-	-	-	-	-	-	-	-	-
	-	-	559	526	-	370011A	-	-	36358
	-	-	552A	522	-	-	-	-	-
	FRONT AXLE - w/Std Whls After 1968 RC								
	-	-	3982	3877	-	370011A	-	-	36358
	-	-	3920	3820	-	-	-	-	-
28	FRONT AXLE - w/Std Whls to 1968 & All 1968-69 w/Alum Whls								
	-	-	-	-	-	-	-	-	-
	-	-	641	65385	-	370198A	-	-	-
	-	-	633	65320	-	-	-	-	-
	FRONT AXLE - w/Std Whls After 1968 RC								
	Set413	Set409	HM212049	45280	-	370033A	-	-	38709
	-	-	HM212011	45220	-	-	-	-	-
29	FRONT AXLE								
	-	-	4595	418	-	370014A	-	-	31281
	-	-	4536	414A	-	-	-	-	-
30	FRONT AXLE								
	-	-	559	526	-	370011A	-	-	36358
	-	-	552A	522	-	-	-	-	-
31	FRONT DRIVE AXLE								
	-	-	5760	528A	-	-	-	-	-
	-	-	5735	522	-	-	-	-	-
32	FRONT DRIVE AXLE								
	-	-	36990	36990	-	-	-	-	-
	-	-	36920	36920	-	-	-	-	-
33	FRONT DRIVE AXLE								
	-	-	71450	52400	-	-	-	-	-
	-	-	71750	52637	-	-	-	-	-
34	FRONT AXLE								
	Set413	Set409	HM212049	45280	-	370033A	-	-	38709
	-	-	HM212011	45220	-	-	-	-	-
35	FRONT AXLE								
	Set423	-	6461A	555-S	-	370182A	-	-	43764
	-	-	6420	552A	-	-	-	-	-
36	TANDEM REAR AXLE								
	Set402	Set425	582	567	TKR856	370022A	309-0903	45099	-
	-	-	572	563	-	-	-	-	-
37	TANDEM REAR AXLE - TO 1968 RC & W/ALUM HUB 1970 ON								
	-	-	-	-	-	-	-	-	-
	-	-	663	575	-	-	-	-	-
	-	-	652	572	-	-	-	-	-
	TANDEM REAR AXLE - 1968 RC ON								
	-	Set426	HM516449	47679	-	-	-	-	-
	-	-	HM516410	47620	-	-	-	-	-
38	TANDEM REAR AXLE								
	Set402	Set425	582	567	-	-	-	-	-
	-	-	572	563	-	-	-	-	-
39	REAR AXLE								
	Set402	-	582	42687	-	370030A	309-0961	42800	-
	-	-	572	42620	-	-	-	-	-
40	REAR AXLE								
	Set404	Set401	598A	580	TKR861	370003A	309-0973	47697	-
	-	-	592A	572	-	-	-	-	-

Manufacturer Line Number	Inner Set	Outer Set	Inner (Cone/Cup)	Outer (Cone/Cup)				
					Timken	National	Stemco	SKF

MACK (continued)

41									
REAR AXLE	-	Set401	598 592A	580 572	TKR861	370003A	309-0973	47697	-
42									
REAR AXLE	-	-	780 772	864 854	-	-	-	-	-
43									
REAR AXLE	-	-	780 772	-	-	370028A	-	50124	-
REAR AXLE - SPOKE	-	-	-	776 772	-	370028A	-	50124	-
REAR AXLE - DISC	-	-	-	77375 77675	-	370028A	-	50124	-
44									
REAR AXLE	-	-	598 592A	-	-	-	-	-	-
REAR AXLE - TO 1968 RC	-	-	-	758 752	-	-	-	-	-
REAR AXLE - 1968 RC ON	-	-	-	HM617049 HM617010	-	-	-	-	-
REAR AXLE - ALUM WHLS	-	-	-	665 653	-	-	-	-	-
45									
REAR AXLE	-	-	780 772	-	-	370028A	-	50124	-
REAR AXLE - SPOKE	-	-	-	776 772	-	370028A	-	50124	-
REAR AXLE - DISC	-	-	-	77375 77675	-	370028A	-	50124	-
46									
REAR AXLE	Set401	Set425	580 572	567 563	TKR850	370036A	307-0713	40136	-
47									
REAR AXLE	-	-	780 772	-	-	370028A	-	50124	-
REAR AXLE - SPOKE	-	-	-	776 772	-	370028A	-	50124	-
REAR AXLE - DISC	-	-	-	77375 77675	-	370028A	-	50124	-
48									
REAR AXLE	-	-	598 592A	-	-	-	-	-	-
REAR AXLE - TO 1968 RC	-	-	-	758 752	-	-	-	-	-
REAR AXLE - 1968 RC ON	-	-	-	HM617049 HM617010	-	-	-	-	-
REAR AXLE - ALUM WHLS	-	-	-	665 653	-	-	-	-	-
49									
REAR AXLE	-	-	598 592A	-	TKR854	370019A	309-0965	43860	-
REAR AXLE - TO 1968 RC	-	-	-	758 752	TKR854	370019A	309-0965	43860	-

Manufacturer Line Number	Inner Set	Outer Set	Inner (Cone/Cup)	Outer (Cone/Cup)				
					Timken	National	Stemco	SKF

MACK (continued)

REAR AXLE - 1968 RC ON	-	-	-	HM617049 HM617010	TKR854	370019A	309-0965	43860	-
REAR AXLE - ALUM WHLS	-	-	-	665 653	TKR854	370019A	309-0965	43860	-
50									
REAR AXLE	-	-	780 772	-	-	370028A	-	50124	-
REAR AXLE - SPOKE	-	-	-	776 772	-	370028A	-	50124	-
REAR AXLE - DISC	-	-	-	77375 77675	-	370028A	-	50124	-
51									
REAR AXLE	-	-	67390 67322	938 932	-	-	-	-	-
52									
REAR AXLE	-	-	598 592A	758 752	TKR854	370019A	309-0965	43860	-
REAR AXLE - ALUM WHLS	-	-	-	665 653	TKR854	370019A	309-0965	43860	-
53									
REAR AXLE	-	-	598 592A	-	TKR854	370019A	309-0965	43860	-
REAR AXLE - TO 1968 RC	-	-	-	758 752	-	-	-	-	-
REAR AXLE - 1968 RC ON	-	-	-	HM617049 HM617010	-	-	-	-	-
REAR AXLE - ALUM WHLS	-	-	-	665 653	-	-	-	-	-
54									
REAR AXLE	-	-	598 592A	-	-	-	-	-	-
REAR AXLE - TO 1968 RC	-	-	-	758 752	-	-	-	-	-
REAR AXLE - 1968 RC ON	-	-	-	HM617049 HM617010	-	-	-	-	-
REAR AXLE - ALUM WHLS	-	-	-	665 653	-	-	-	-	-
55									
REAR AXLE	-	-	598 592A	-	TKR854	370019A	309-0965	43860	-
REAR AXLE - TO 1968 RC	-	-	-	758 752	TKR854	370019A	309-0965	43860	-
REAR AXLE - 1968 RC ON	-	-	-	HM617049 HM617010	TKR854	370019A	309-0965	43860	-
REAR AXLE - ALUM WHLS	-	-	-	665 653	TKR854	370019A	309-0965	43860	-
56									
REAR AXLE	-	-	67390 67322	938 932	-	-	-	-	-
57									
REAR AXLE	-	-	99575 99100	HH228349 HH228310	-	-	-	-	-
58									
REAR AXLE	-	-	M236845 M236810	HH228349 HH228310	-	-	-	-	-

Manufacturer Line Number	Inner Set	Outer Set	Inner (Cone/Cup)	Outer (Cone/Cup)				
					Timken	National	Stemco	SKF

MACK (continued)

59									
REAR AXLE	-	-	598	-	TKR854	370019A	309-0965	43860	
	-	-	592A	-	-	-	-	-	
REAR AXLE - TO 1968 RC	-	-	-	758	TKR854	370019A	309-0965	43860	
	-	-	-	752	-	-	-	-	
REAR AXLE - 1968 RC ON	-	-	-	HM617049	TKR854	370019A	309-0965	43860	
	-	-	-	HM617010	-	-	-	-	
REAR AXLE - ALUM WHLS	-	-	-	665	TKR854	370019A	309-0965	43860	
	-	-	-	653	-	-	-	-	
60									
REAR AXLE	Set401	Set425	580	567	TKR850	370036A	307-0713	40136	
	-	-	572	563	-	-	-	-	
61									
REAR AXLE	Set402	-	582	42687	-	370030A	309-0961	42800	
	-	-	572	42620	-	-	-	-	
62									
REAR AXLE	-	-	598	-	TKR854	370019A	309-0965	43860	
	-	-	592A	-	-	-	-	-	
REAR AXLE - TO 1968 RC	-	-	-	758	TKR854	370019A	309-0965	43860	
	-	-	-	752	-	-	-	-	
REAR AXLE - 1968 RC ON	-	-	-	HM617049	TKR854	370019A	309-0965	43860	
	-	-	-	HM617010	-	-	-	-	
REAR AXLE - ALUM WHLS	-	-	-	665	TKR854	370019A	309-0965	43860	
	-	-	-	653	-	-	-	-	
63									
REAR AXLE	-	-	M236845	HH228349	-	-	-	-	
	-	-	M236810	HH228310	-	-	-	-	
64									
REAR AXLE	-	-	8573	H247535	-	-	-	-	
	-	-	8520	H247510	-	-	-	-	
65									
TANDEM REAR AXLE	Set402	Set425	582	567	-	-	-	-	
	-	-	572	563	-	-	-	-	
66									
TANDEM REAR AXLE	Set402	Set425	582	567	TKR856	370022A	309-0903	45099	
	-	-	572	563	-	-	-	-	
67									
TANDEM REAR AXLE	Set402	Set425	582	567	-	-	-	-	
	-	-	572	563	-	-	-	-	
68									
TANDEM REAR AXLE	Set402	Set425	582	567	TKR856	370022A	309-0903	45099	
	-	-	572	563	-	-	-	-	
69									
TANDEM REAR AXLE	Set402	Set425	582	567	-	-	-	-	
	-	-	572	563	-	-	-	-	
70									
TANDEM REAR AXLE	Set402	Set425	582	567	TKR856	370022A	309-0903	45099	
	-	-	572	563	-	-	-	-	
71									
TANDEM REAR AXLE	Set402	Set425	582	567	-	-	-	-	
	-	-	572	563	-	-	-	-	

Manufacturer Line Number	Inner Set	Outer Set	Inner (Cone/Cup)	Outer (Cone/Cup)				
					Timken	National	Stemco	SKF

MACK (continued)

72									
TANDEM REAR AXLE - TO 1968 RC & W/ALUM HUB 1970 ON	-	-	-	-	-	-	-	-	-
	-	-	663	575	-	-	-	-	-
	-	-	652	572	-	-	-	-	-
TANDEM REAR AXLE - 1968 RC ON	-	Set426	HM516449	47679	-	-	-	-	-
	-	-	HM516410	47620	-	-	-	-	-
73									
TANDEM REAR AXLE - TO 1968 RC & W/ALUM HUB 1970 ON	-	-	-	-	-	-	-	-	-
	-	-	780	687	-	-	-	-	-
	-	-	772	672	-	-	-	-	-
TANDEM REAR AXLE - 1968 RC ON	-	-	687	52400	-	-	-	-	-
	-	-	672	52618	-	-	-	-	-
TANDEM REAR AXLE - W/ 1200 X 24 TIRES ..	-	-	687	780	-	-	-	-	-
	-	-	672	772	-	-	-	-	-
74									
TANDEM REAR AXLE - w/ 1100 X 24 Tires	-	-	780	-	-	-	-	-	-
	-	-	772	-	-	-	-	-	-
TANDEM REAR AXLE - SPOKE w/1100 X 24 Tires	-	-	-	-	-	-	-	-	-
	-	-	-	776	-	-	-	-	-
	-	-	-	772	-	-	-	-	-
TANDEM REAR AXLE - DISC w/ 1100 X 24 Tires	-	-	-	-	-	-	-	-	-
	-	-	-	77375	-	-	-	-	-
	-	-	-	77675	-	-	-	-	-
TANDEM REAR AXLE - w/ 1200 X 24 Tires	-	-	780	864	-	370069A	309-0948	52658	
	-	-	772	854	-	-	-	-	-
75									
TANDEM REAR AXLE	Set402	Set425	582	567	TKR856	370022A	309-0903	45099	
	-	-	572	563	-	-	-	-	
76									
TANDEM REAR AXLE	Set402	Set425	582	567	-	-	-	-	
	-	-	572	563	-	-	-	-	
77									
TANDEM REAR AXLE - TO 1968 RC & W/ALUM HUB 1970 ON	-	-	-	-	-	-	-	-	-
	-	-	780	687	-	-	-	-	-
	-	-	772	672	-	-	-	-	-
TANDEM REAR AXLE - 1968 RC ON	-	-	687	52400	-	-	-	-	-
	-	-	672	52618	-	-	-	-	-
TANDEM REAR AXLE - W/ 1200 X 24 TIRES ..	-	-	687	780	-	370069A	309-0948	52658	
	-	-	672	772	-	-	-	-	-
78									
TANDEM REAR AXLE - TO 1968 RC & W/ALUM HUB 1970 ON	-	-	-	-	-	-	-	-	-
	-	-	780	687	-	-	-	-	-
	-	-	772	672	-	-	-	-	-
TANDEM REAR AXLE - 1968 RC ON	-	-	687	52400	-	-	-	-	-
	-	-	672	52618	-	-	-	-	-
TANDEM REAR AXLE - W/ 1200 X 24 TIRES ..	-	-	687	780	-	-	-	-	-
	-	-	672	772	-	-	-	-	-
79									
TANDEM REAR AXLE - TO 1968 RC & W/ALUM HUB 1970 ON	-	-	-	-	-	-	-	-	-
	-	-	780	687	-	-	-	-	-
	-	-	772	672	-	-	-	-	-
TANDEM REAR AXLE - 1968 RC ON	-	-	687	52400	-	-	-	-	-
	-	-	672	52618	-	-	-	-	-
TANDEM REAR AXLE - W/ 1200 X 24 TIRES ..	-	-	687	780	-	370069A	309-0948	52658	
	-	-	672	772	-	-	-	-	-

Manufacturer Line Number	Inner Set	Outer Set	Inner (Cone/Cup)	Outer (Cone/Cup)	Manufacturer			
					Timken	National	Stemco	SKF

MACK (continued)

80	TANDEM REAR AXLE	-	-	71425	861	-	-	-	-
		-	-	71750	854	-	-	-	-
81	TANDEM REAR AXLE	Set402	Set425	582	567	-	-	-	-
		-	-	572	563	-	-	-	-
82	TANDEM REAR AXLE	Set402	Set425	582	567	TKR856	370022A	309-0903	45099
		-	-	572	563	-	-	-	-
83	TANDEM REAR AXLE - TO 1968 RC & W/ALUM HUB 1970 ON	-	-	-	-	-	-	-	-
		-	-	663	575	-	-	-	-
		-	-	652	572	-	-	-	-
	TANDEM REAR AXLE - 1968 RC ON	-	Set426	HM516449	47679	-	-	-	-
		-	-	HM516410	47620	-	-	-	-
84	TANDEM REAR AXLE	-	-	759	664	-	-	-	-
		-	-	752	652	-	-	-	-
85	TANDEM REAR AXLE - w/ 1100 X 24 Tires	-	-	780	-	-	-	-	-
		-	-	772	-	-	-	-	-
	TANDEM REAR AXLE - SPOKE w/1100 X 24 Tires	-	-	-	776	-	-	-	-
		-	-	-	772	-	-	-	-
	TANDEM REAR AXLE - DISC w/ 1100 X 24 Tires	-	-	-	77375	-	-	-	-
		-	-	-	77675	-	-	-	-
	TANDEM REAR AXLE - w/ 1200 X 24 Tires	-	-	780	864	-	370069A	309-0948	52658
		-	-	772	854	-	-	-	-
86	TANDEM REAR AXLE - TO 1968 RC & W/ALUM HUB 1970 ON	-	-	-	-	-	-	-	-
		-	-	780	687	-	-	-	-
		-	-	772	672	-	-	-	-
	TANDEM REAR AXLE - 1968 RC ON	-	-	687	52400	-	-	-	-
		-	-	672	52618	-	-	-	-
	TANDEM REAR AXLE - W/ 1200 X 24 TIRES ..	-	-	687	780	-	370069A	309-0948	52658
		-	-	672	772	-	-	-	-
87	TANDEM REAR AXLE - w/ 1100 X 24 Tires	-	-	780	-	-	-	-	-
		-	-	772	-	-	-	-	-
	TANDEM REAR AXLE - SPOKE w/1100 X 24 Tires	-	-	-	776	-	-	-	-
		-	-	-	772	-	-	-	-
	TANDEM REAR AXLE - DISC w/ 1100 X 24 Tires	-	-	-	77375	-	-	-	-
		-	-	-	77675	-	-	-	-
	TANDEM REAR AXLE - w/ 1200 X 24 Tires	-	-	780	864	-	370069A	309-0948	52658
		-	-	772	854	-	-	-	-
88	TANDEM REAR AXLE	-	-	71425	861	-	-	-	-
		-	-	71750	854	-	-	-	-
89	TANDEM REAR AXLE	Set402	Set425	582	567	TKR856	370022A	309-0903	45099
		-	-	572	563	-	-	-	-

Manufacturer Line Number	Inner Set	Outer Set	Inner (Cone/Cup)	Outer (Cone/Cup)	Manufacturer			
					Timken	National	Stemco	SKF

MACK (continued)

90	TANDEM REAR AXLE	Set402	Set425	582	567	-	-	-	-
		-	-	572	563	-	-	-	-
91	TANDEM REAR AXLE	Set402	Set425	582	567	TKR856	370022A	309-0903	45099
		-	-	572	563	-	-	-	-
92	TANDEM REAR AXLE	Set402	Set425	582	567	-	-	-	-
		-	-	572	563	-	-	-	-
93	TANDEM REAR AXLE	Set402	Set425	582	567	TKR856	370022A	309-0903	45099
		-	-	572	563	-	-	-	-
94	TANDEM REAR AXLE	Set402	Set425	582	567	-	-	-	-
		-	-	572	563	-	-	-	-
95	TANDEM REAR AXLE	Set401	-	580	5752	TKR856	370022A	309-0903	45099
		-	-	572	5735	-	-	-	-
	TANDEM REAR AXLE - DUAL	-	Set425	-	567	TKR856	370022A	309-0903	45099
		-	-	-	563	-	-	-	-
96	TANDEM REAR AXLE	Set402	Set425	582	567	-	-	-	-
		-	-	572	563	-	-	-	-
97	TANDEM REAR AXLE	Set402	Set425	582	567	TKR856	370022A	309-0903	45099
		-	-	572	563	-	-	-	-
98	TANDEM REAR AXLE	Set402	Set425	582	567	-	-	-	-
		-	-	572	563	-	-	-	-
99	TANDEM REAR AXLE	Set402	Set425	582	567	TKR856	370022A	309-0903	45099
		-	-	572	563	-	-	-	-
100	TANDEM REAR AXLE	Set402	Set425	582	567	-	-	-	-
		-	-	572	563	-	-	-	-
101	TANDEM REAR AXLE	Set402	Set425	582	567	TKR856	370022A	309-0903	45099
		-	-	572	563	-	-	-	-
102	TANDEM REAR AXLE	Set402	Set425	582	567	-	-	-	-
		-	-	572	563	-	-	-	-
103	TANDEM REAR AXLE	Set402	Set425	582	567	TKR856	370022A	309-0903	45099
		-	-	572	563	-	-	-	-
104	TANDEM REAR AXLE	Set402	Set425	582	567	-	-	-	-
		-	-	572	563	-	-	-	-
105	TANDEM REAR AXLE	-	-	74500	938	-	-	-	-
		-	-	74850	932	-	-	-	-

Manufacturer Line Number	Inner Set	Outer Set	Inner (Cone/Cup)	Outer (Cone/Cup)				
					Timken	National	Stemco	SKF

MACK (continued)

106	TANDEM REAR AXLE	-	-	598	758	-	-	-	-
	TANDEM REAR AXLE - ALUM	-	-	592A	752	-	-	-	-
		-	-	-	665	-	-	-	-
		-	-	-	653	-	-	-	-
107	TANDEM REAR AXLE	Set402	Set425	582	567	-	-	-	-
		-	-	572	563	-	-	-	-
108	TANDEM REAR AXLE - TO 1968 RC & W/ALUM HUB 1970 ON	-	-	-	-	-	-	-	-
		-	-	663	575	-	-	-	-
		-	-	652	572	-	-	-	-
	TANDEM REAR AXLE - 1968 RC ON	-	Set426	HM516449	47679	-	-	-	-
		-	-	HM516410	47620	-	-	-	-
109	TANDEM REAR AXLE	Set402	Set425	582	567	TKR856	370022A	309-0903	45099
		-	-	572	563	-	-	-	-
110	TANDEM REAR AXLE	Set402	Set425	582	567	-	-	-	-
		-	-	572	563	-	-	-	-
111	TANDEM REAR AXLE	-	-	67390	938	-	-	-	-
		-	-	67322	932	-	-	-	-
112	TANDEM REAR AXLE	Set402	Set425	582	567	-	-	-	-
		-	-	572	563	-	-	-	-
113	TANDEM REAR AXLE - TO 1968 RC & W/ALUM HUB 1970 ON	-	-	-	-	-	-	-	-
		-	-	780	687	-	-	-	-
		-	-	772	672	-	-	-	-
	TANDEM REAR AXLE - 1968 RC ON	-	-	687	52400	-	-	-	-
		-	-	672	52618	-	-	-	-
	TANDEM REAR AXLE - W/ 1200 X 24 TIRES ..	-	-	687	780	-	370069A	309-0948	52658
		-	-	672	772	-	-	-	-
114	TANDEM REAR AXLE	Set402	Set425	582	567	-	-	-	-
		-	-	572	563	-	-	-	-
115	TANDEM REAR AXLE - TO 1968 RC & W/ALUM HUB 1970 ON	-	-	-	-	-	-	-	-
		-	-	780	687	-	-	-	-
		-	-	772	672	-	-	-	-
	TANDEM REAR AXLE - 1968 RC ON	-	-	687	52400	-	-	-	-
		-	-	672	52618	-	-	-	-
	TANDEM REAR AXLE - W/ 1200 X 24 TIRES ..	-	-	687	780	-	370069A	309-0948	52658
		-	-	672	772	-	-	-	-
116	TANDEM REAR AXLE - TO 1968 RC & W/ALUM HUB 1970 ON	-	-	-	-	-	-	-	-
		-	-	663	575	-	-	-	-
		-	-	652	572	-	-	-	-
	TANDEM REAR AXLE - 1968 RC ON	-	Set426	HM516449	47679	-	-	-	-
		-	-	HM516410	47620	-	-	-	-
117	TANDEM REAR AXLE	Set402	Set425	582	567	-	-	-	-
		-	-	572	563	-	-	-	-

Manufacturer Line Number	Inner Set	Outer Set	Inner (Cone/Cup)	Outer (Cone/Cup)				
					Timken	National	Stemco	SKF

MACK (continued)

118	TANDEM REAR AXLE	-	-	M236845	HH228349	-	-	-	-
		-	-	M236810	HH228310	-	-	-	-
119	TANDEM REAR AXLE	-	-	8573	EE420801	-	-	-	-
		-	-	8520	421437	-	-	-	-
120	TANDEM REAR AXLE	Set402	Set425	582	567	-	-	-	-
		-	-	572	563	-	-	-	-
121	TANDEM REAR AXLE - TO 1968 RC & W/ALUM HUB 1970 ON	-	-	-	-	-	-	-	-
		-	-	780	687	-	-	-	-
		-	-	772	672	-	-	-	-
	TANDEM REAR AXLE - 1968 RC ON	-	-	687	52400	-	-	-	-
		-	-	672	52618	-	-	-	-
	TANDEM REAR AXLE - W/ 1200 X 24 TIRES ..	-	-	687	780	-	370069A	309-0948	52658
		-	-	672	772	-	-	-	-
122	TANDEM REAR AXLE	-	-	71425	861	-	-	-	-
		-	-	71750	854	-	-	-	-
123	TANDEM REAR AXLE	Set402	Set425	582	567	TKR856	370022A	309-0903	45099
		-	-	572	563	-	-	-	-
124	TANDEM REAR AXLE	Set402	Set425	582	567	-	-	-	-
		-	-	572	563	-	-	-	-
125	TANDEM REAR AXLE	-	-	67390	938	-	-	-	-
		-	-	67322	932	-	-	-	-

MACK MID-LINER Axle Model Index

Model	Line No.	Model	Line No.	Model	Line No.	Model	Line No.
408.00	1	MS250	3	P1021.5	3	P1121G2	3
408.01	1	MS300	3	P1021G1	3	P802.2	3
408.03	1	P102011	3	P112102	3	P820G	3
408.04	1	P1020B	3	P1121.4	3	P820G1	3
408.06	2	P1020G	3	P1121G	3	P821	3
MS200	3	P10211	3	P1121G1	3	P821G	3

Manufacturer Line Number	Inner Set	Outer Set	Inner (Cone/Cup)	Outer (Cone/Cup)				
					Timken	National	Stemco	SKF

MACK MID-LINER

3	DRIVE AXLE	-	-	594	594	-	-	-	-
		-	-	593X	593X	-	-	-	-

MERCEDES Axle Model Index

Model	Line No.	Model	Line No.	Model	Line No.	Model	Line No.
L1013	1	L1116	1	L1316	3	LS1316	5
L1113	1	L1117	2	L1418	4	LS1418	6

Manufacturer Line Number	Inner Set	Outer Set	Inner (Cone/Cup)	Outer (Cone/Cup)				
					Timken	National	Stemco	SKF

MERCEDES

3	FRONT AXLE	-	-	559	-	-	-	-	-
		-	-	552A	-	-	-	-	-
	743.11 RATIO 7.43 FROM CHASSIS NO. 518923	-	-	-	-	-	-	-	-
		-	-	598A	-	-	-	-	-
		-	-	593X	-	-	-	-	-

4	FRONT AXLE	-	-	559	-	-	-	-	-
		-	-	552A	-	-	-	-	-

5	FRONT AXLE	-	-	559	-	-	-	-	-
		-	-	552A	-	-	-	-	-

6	FRONT AXLE	-	-	559	-	-	-	-	-
		-	-	552A	-	-	-	-	-

NEOAX Axle Model Index

Model	Line No.	Model	Line No.	Model	Line No.	Model	Line No.
F3W-1200	1	F3W-1200	1	F3W-1400	1	F6W-1400	1

Manufacturer Line Number	Inner Set	Outer Set	Inner (Cone/Cup)	Outer (Cone/Cup)				
					Timken	National	Stemco	SKF

NEOAX

1	FRONT AXLE	-	Set406	HM212049	3782	-	-	-	-
		-	-	HM212011	3720	-	-	-	-

OSHKOSH Axle Model Index

Model	Line No.	Model	Line No.	Model	Line No.	Model	Line No.
10338-F-5	1	17896-F	5	3908-F-2	9	W-212	15
1258-HA-2	20	1880-G-2	22	6757-G-2	23	W-2200	16
1554-GA-1	2	1888-G-4	6	7895-G	10	W-2200	17
1555-G	21	1916-J	7	8000-G	11	W-2200	24
15640-F-1	3	1916-J	8	H-1700	12	W-2204	25
16800-F	3	19850-F	8	W-1600	13	W-700	18
1747-J	4	2346-F-3	8	W-1700	14	W-900	19

Manufacturer Line Number	Inner Set	Outer Set	Inner (Cone/Cup)	Outer (Cone/Cup)				
					Timken	National	Stemco	SKF

OSHKOSH

1	FRONT AXLE	-	-	687	687	-	-	-	-
		-	-	672	672	-	-	-	-

2	FRONT AXLE	-	-	780	687	-	-	-	-
		-	-	772	672	-	-	-	-

3	FRONT AXLE	-	-	687	687	-	-	-	-
		-	-	672	672	-	-	-	-

4	FRONT AXLE	-	-	5760	567	-	-	-	-
		-	-	5735	563A	-	-	-	-

Manufacturer Line Number	Inner Set	Outer Set	Inner (Cone/Cup)	Outer (Cone/Cup)				
					Timken	National	Stemco	SKF

OSHKOSH (continued)

5	FRONT AXLE	-	-	687	687	-	-	-	-
		-	-	672	672	-	-	-	-

6	FRONT AXLE	-	-	780	687	-	-	-	-
		-	-	772	672	-	-	-	-

7	FRONT AXLE	-	-	687	687	-	-	-	-
		-	-	672	672	-	-	-	-

8	FRONT AXLE	-	-	687	687	-	-	-	-
		-	-	672	672	-	-	-	-

9	FRONT AXLE	-	-	687	687	-	-	-	-
		-	-	672	672	-	-	-	-

10	FRONT AXLE	-	-	71455	71455	-	-	-	-
		-	-	71750	71750	-	-	-	-

11	FRONT AXLE	-	-	67389	47690A	-	-	-	-
		-	-	67322	47620	-	-	-	-

12	FRONT AXLE	-	-	687	687	-	-	-	-
		-	-	672	672	-	-	-	-

13	FRONT AXLE	-	-	780	687	-	-	-	-
		-	-	772	672	-	-	-	-

14	FRONT AXLE	-	-	687	687	-	-	-	-
		-	-	672	672	-	-	-	-

15	FRONT AXLE	-	-	5760	567	-	-	-	-
		-	-	5735	563A	-	-	-	-

16	FRONT AXLE	-	-	780	687	-	-	-	-
		-	-	772	672	-	-	-	-

17	FRONT AXLE	-	-	780	687	-	-	-	-
		-	-	772	672	-	-	-	-

18	FRONT AXLE	-	-	687	687	-	-	-	-
		-	-	672	672	-	-	-	-

19	FRONT AXLE	-	-	780	687	-	-	-	-
		-	-	772	672	-	-	-	-

20	REAR AXLE	-	-	749	749	-	-	-	-
		-	-	742	742	-	-	-	-

Manufacturer Line Number	Inner Set	Outer Set	Inner (Cone/Cup)	Outer (Cone/Cup)	Timken	National	Stemco	SKF
-----------------------------	--------------	--------------	---------------------	---------------------	--------	----------	--------	-----

OSHKOSH (continued)

21	REAR AXLE	-	-	71450 71750	71450 71750	-	-	-	-
22	REAR AXLE	-	-	780 772	687 672	-	-	-	-
23	REAR AXLE	-	-	99600 99100	HM237545 HM237510	-	-	-	-
24	REAR AXLE	-	-	780 772	687 672	-	-	-	-
25	REAR AXLE	-	-	71450 71750	71450 71750	-	-	-	-

PAGE & PAGE Axle Model Index

Model	Line No.	Model	Line No.	Model	Line No.	Model	Line No.
A-60	1						

Manufacturer Line Number	Inner Set	Outer Set	Inner (Cone/Cup)	Outer (Cone/Cup)	Timken	National	Stemco	SKF
-----------------------------	--------------	--------------	---------------------	---------------------	--------	----------	--------	-----

PAGE & PAGE

1	TRAILER AXLE	-	-	896 893	6580 6535	-	-	-	-
----------	--------------	---	---	------------	--------------	---	---	---	---

ROCKWELL-See ARVINMERITOR Axle Model Index

Model	Line No.	Model	Line No.	Model	Line No.	Model	Line No.
16910	1	ERQHD	44	FDS-75	20	FU-900	33
16930	1	F-106	45	FE-900	21	FU-910	33
16931	1	F-140	46	FE-903	21	FV SERIES	191
17100	2	F-145	47	FE-970	22	G-161	50
1758	37	F-147	47	FE-971	22	G-361	50
26061	3	F-2090	9	FF-901	23	H-100	51
2665	4	F-2094	9	FF-903	23	H-140	52
27061	5	F-223	10	FF-921	23	H-141	53
27460	6	F-233	10	FF-923	23	H-143	54
27462	6	F-235	11	FF-931	23	H-162	55
31116	7	F-3110	12	FF-931A	23	H-170	56
32500	8	F-3200	12	FF-932	24	H-171	57
32550	8	F-340	48	FF-941	24	H-172	58
32552	8	F-345	49	FF-942	24	H-340	59
32553	8	F-409	12	FF-961	24	H-341	60
58822/3	38	F-429W	12	FG-900	25	H-362	61
58863	39	F-7900	13	FG-903	25	L-100	62
58873	39	FC-900	14	FG-931	26	L-101	62
59000	40	FC-901	14	FG-941	26	L-140	63
59722	40	FC-903	14	FG-942	27	L-145	63
59723	40	FC-931	15	FH-900	28	L-146	63
61142/61143	40	FD-900	16	FH-901	28	L-148	64
C-100	41	FD-901	16	FL-900	29	L-155	65
D-100	41	FD-903	16	FL-901	29	L-160	66
D-140	41	FD-931	16	FL-931	29	L-162	66
E-100	41	FD-961	17	FL-942	30	L-172	67
E-200	41	FDS-1600	18	FL-951	31	L-245	68
ELHD	42	FDS-1800 SERIES	19	FQ-901	32	L-340	68
ERLHD	43	FDS-2100 SERIES	19	FQ-921	32	L-345	69

ROCKWELL-See ARVINMERITOR Axle Model Index (continued)

Model	Line No.	Model	Line No.	Model	Line No.	Model	Line No.
L-346	69	RF-16-145	35	SFD-157	140	SW-3458	181
L-362	70	RF-21-155	35	SFD-3020	141	SW-456	182
L-365	71	RF-21-156	35	SFD-4600	142	SW-457	182
PR-223	72	RF-21-355	35	SFD-4640	142	SW-458	182
PR-400	73	RF-23-180	35	SFD-4740	143	T-11301	193
PR-700	74	RF-7-106	36	SFDD-4640	144	T-14000	194
Q-100	75	RF-9-106	36	SFDD-4740	145	T-17000 SERIES	195
Q-145	75	RL-170	107	SFDD-4742	145	T-2067	196
Q-148	76	RL SERIES	191	SFHD	146	THD SERIES	197
Q-245	77	RN SERIES	192	SHHD	147	TH SERIES	197
Q-246	77	RQ SERIES	192	SJHD	148	TKD SERIES	199
Q-345	77	RS-13-120	108	SL-100	149	TKLD SERIES	200
Q-346	77	RS-15-120	109	SL-100-P	149	TKL SERIES	200
QT-140	78	RS-15-210	110	SLD	150	TKNC SERS.	202
QT-240	79	RS-17-140	111	SLDD	150	TKND SERS.	203
QT-300	80	RS-17-145	111	SLHD	151	TKN SERIES	201
QT-301	80	RS-17-220	112	SPR250	155	TK SERS.	198
QT-340	81	RS-19-145	113	SPR-400	152	TLD SERIES	204
QT-365	81	RS-19-220	114	SPR-570	153	TL SERIES	204
QWF	82	RS-21-145	115	SPR-700	154	TM SERS.	205
QWR	82	RS-21-230	116	SPRC-1926	156	TNC SERIES	206
R-100	83	RS-23-160	117	SPRC-1927	156	TND SERIES	206
R-114	84	RS-23-161	117	SPRC-4806	157	TN SERIES	206
R-115	84	RS-23-180	117	SQ-100	158	TP SERS.	207
R-120	85	RS-23-240	118	SQ-100-P	158	TQD SERIES	208
R-140	86	RS-23-380	119	SQD	159	TQ SERIES	208
R-141	87	RS-26-160	120	SQDD	160	TRD SERIES	209
R-155	88	RS-26-180	120	SQHD	161	TR SERIES	209
R-160	89	RS-26-380	120	SQHP	162	TU SERS.	210
R-163	90	RS-30-180	121	SQR-100	163	TW SERS.	211
R-170	91	RS-30-380	122	SQR-100-P	163	U-170	183
R-171	92	RS-38-380	123	SRW	164	U-180	184
R-173	93	RT-240	124	SR-170	165	U-200	185
R-200	94	RT-241	125	SR-270	166	U-200A	185
R-200A	95	RT-243	125	SR-280	167	U-240	186
R-202	96	RT-265	126	SRD	168	U-270	187
R-210	97	RT-340	128	SRDD	169	U-300	188
R-210A	97	RT-341	128	SRHD	169	U-300A	188
R-220	98	RT-34-145	127	SSHHD	170	W-170	189
R-221	99	RT-343	128	SSHHP	171	W-270	190
R-221	100	RT-365	129	ST-170	172		
R-230	100	RT-40-145	130	ST-270	173		
R-230A	100	RT-44-145	130	ST-280	173		
R-255	100	RT-46-160	130	STD	174		
R-270	101	RT-48-180	131	STDD	174		
R-300	102	RT-48-380	132	STHD	175		
R-302	103	RT-52-160	133	SU-170	176		
R-314W	104	RT-52-180	133	SU-270	176		
R-315	104	RT-52-380	134	SU-280	177		
R-320	105	RT-58-180	135	SUD	178		
R-321	105	RT-58-380	135	SUDD	178		
R-330	105	RT-70-380	136	SUHD	179		
R-330A	105	S-170	137	SW-170	180		
R-390	106	SD-436	138	SW-270	180		
RF-12-125	34	SDHD	139	SW-280	180		

Manufacturer Line Number	Inner Set	Outer Set	Inner (Cone/Cup)	Outer (Cone/Cup)	Timken	National	Stemco	SKF
-----------------------------	--------------	--------------	---------------------	---------------------	--------	----------	--------	-----

ROCKWELL-See ARVINMERITOR

1	FRONT AXLE	-	-	6379 6320	557S 552A	-	370066A	-	40086
2	FRONT AXLE	-	-	6389 6320	557S 552A	-	-	-	-

Manufacturer Line Number	Inner Set	Outer Set	Inner (Cone/Cup)	Outer (Cone/Cup)				
					Timken	National	Stemco	SKF
ROCKWELL-See ARVINMERITOR (continued)								
3 FRONT AXLE	-	-	6375 6320	59175 59412	-	-	-	-
4 FRONT AXLE	-	-	6379 6320	555-S 552A	-	370066A	-	40086
5 FRONT AXLE	-	-	6379 6320	537 532A	-	370165A	-	38747
6 FRONT AXLE	-	-	6389 6320	537 532A	-	370165A	-	38747
7 FRONT AXLE	-	-	3578 3525	2689 2631	-	-	-	-
8 FRONT AXLE	-	-	3778 3720	2790 2720	-	-	-	-
9 FRONT DRIVE AXLE	-	-	594 592A	498 493	-	-	-	-
10 FRONT DRIVE AXLE	-	-	71450 71750	52400 52637	-	-	-	-
11 FRONT DRIVE AXLE	-	-	64450 64700	52400 52637	-	-	-	-
12 FRONT DRIVE AXLE	-	-	71450 71750	52400 52637	-	-	-	-
13 FRONT DRIVE AXLE	-	-	64450 64700	52400 52638	-	-	-	-
14 FRONT AXLE	Set410	-	45284 45220	-	-	370010A	-	28820
FRONT AXLE - THRU 8-72	-	-	-	2780 2720	-	370010A	-	28820
FRONT AXLE - 9-72 ON	-	-	-	25880 25820	-	370054A	-	28832
15 FRONT AXLE	-	-	39581 39520	3585 3525	-	370132A	308-0863	34975
16 FRONT AXLE	-	-	39581 39520	3585 3525	TKR847	370001A	308-0836	35066
17 FRONT AXLE	Set412	Set406	HM212047 HM212011	3782 3720	TKR847	370001A	308-0836	35066

Manufacturer Line Number	Inner Set	Outer Set	Inner (Cone/Cup)	Outer (Cone/Cup)				
					Timken	National	Stemco	SKF
ROCKWELL-See ARVINMERITOR (continued)								
18 FRONT DRIVE AXLE	-	Set414	64450 64700	HM218248 HM218210	-	-	-	-
19 FRONT DRIVE AXLE	-	-	JHM720249 JHM720210	52375 52637	-	-	-	-
20 FRONT DRIVE AXLE	-	-	47490 47420	395A 394A	-	-	-	-
21 FRONT AXLE	Set412	Set406	HM212047 HM212011	3782 3720	TKR847	370001A	308-0836	35066
22 FRONT AXLE	-	Set412	756A 752	HM212047 HM212011	-	370007A	-	48794
23 FRONT AXLE	Set412	Set406	HM212047 HM212011	3782 3720	TKR847	370001A	308-0836	35066
24 FRONT AXLE	Set413	Set406	HM212049 HM212011	3782 3720	TKR847	370001A	308-0836	35066
25 FRONT AXLE - SOME	-	-	6389 6320	-	-	370008A	-	39380
FRONT AXLE - OTHERS	-	-	6386 6320	-	-	370008A	-	39380
FRONT AXLE	-	-	-	537 532A	-	370008A	-	39380
26 FRONT AXLE	Set413	Set406	HM212049 HM212011	3782 3720	TKR847	370001A	308-0836	35066
27 FRONT AXLE	Set413	Set406	HM212049 HM212011	3782 3720	-	-	-	-
28 FRONT AXLE	Set423	-	6461A 6420	-	-	370182A	-	43764
FRONT AXLE - EXC DIAMOND REO	-	-	-	3979 3920	-	-	-	-
FRONT AXLE - DIAMOND REO	-	-	-	555-S 552A	-	370182A	-	43764
29 FRONT AXLE	Set423	-	6461A 6420	555-S 552A	-	370182A	-	43764
30 FRONT AXLE	Set413	Set406	HM212049 HM212011	3782 3720	-	370182A	-	43764
31 FRONT AXLE	Set423	-	6461A 6420	555-S 552A	-	370182A	-	43764

Manufacturer Line Number	Inner Set	Outer Set	Inner (Cone/Cup)	Outer (Cone/Cup)				
					Timken	National	Stemco	SKF

ROCKWELL-See ARVINMERITOR (continued)

32									
FRONT AXLE	-	-	766 752A	JH211749 JH211710	-	-	-	-	-
33									
FRONT AXLE	-	-	HH221442 HH221410	749 742	-	-	-	-	-
34									
FRONT DRIVE AXLE	-	-	JM612949C JM61290	JLM710949 JLM710910	-	-	-	-	-
35									
FRONT DRIVE AXLE	-	-	JHM720249 JHM720210	52375 52637	-	-	-	-	-
36									
FRONT DRIVE AXLE	-	-	JM612949C JM61290	JLM710949 JLM710910	-	-	-	-	-
37									
REAR AXLE	-	-	759 752	749 742	-	-	-	-	-
38									
REAR AXLE	Set405	Set405	663 653	663 653	-	-	-	-	-
39									
REAR AXLE	-	Set405	749A 742	663 653	-	-	-	-	-
40									
REAR AXLE	-	Set405	6580 6535	663 653	-	-	-	-	-
41									
REAR AXLE	-	-	3984 3920	462 453X	-	370046A	-	-	31307
42									
TANDEM REAR AXLE - THRU 1973	Set402	-	582 572	42687 42620	-	370030A	309-0961	42800	-
TANDEM REAR AXLE - 1974 ON	Set411	Set408	47686 47620	39590 39520	-	-	-	-	-
43									
TANDEM REAR AXLE - Thru 7-81 RDHD	Set404	-	598A 592A	-	-	370030A	309-0961	42800	-
TANDEM REAR AXLE - 8-81 On SRHD	Set403	-	594A 592A	-	-	370030A	309-0961	42800	-
TANDEM REAR AXLE - SRHD	-	Set401	-	580 572	-	370030A	309-0961	42800	-
TANDEM REAR AXLE - SLHD	Set402	-	582 582 572 572	42687 42687 42620 42620	-	370030A	309-0961	42800	-
44									
TANDEM REAR AXLE - THRU 7-81	Set404	-	598A 592A	-	-	370030A	309-0961	42800	-
TANDEM REAR AXLE - 8-81 ON	Set403	-	594A 592A	-	-	370030A	309-0961	42800	-

Manufacturer Line Number	Inner Set	Outer Set	Inner (Cone/Cup)	Outer (Cone/Cup)				
					Timken	National	Stemco	SKF

ROCKWELL-See ARVINMERITOR (continued)

TANDEM REAR AXLE	-	Set401	-	580 572	-	370030A	309-0961	42800	-
45									
REAR AXLE - STD	-	-	33287 33462	3982 3920	-	370047A	309-0935	34384	34387
46									
REAR AXLE - STD	-	-	33287 33462	3982 3920	-	370047A	309-0935	34384	34387
REAR AXLE - DUPLEX-F-140 AXL	-	-	33281 33462	3982 3920	-	370047A	309-0935	34384	34387
47									
REAR AXLE - STD	-	-	33287 33462	3982 3920	-	370047A	309-0935	34384	34387
48									
REAR AXLE - STD	-	-	33287 33462	3982 3920	-	370047A	309-0935	34384	34387
REAR AXLE - DUPLEX-F-340 AXLE	-	-	33281 33462	3982 3920	-	370047A	309-0935	34384	34387
49									
REAR AXLE - STD	-	-	33287 33462	3982 3920	-	370047A	309-0935	34384	34387
50									
REAR AXLE	-	-	M514546 M514512	M111048 M111012	-	-	-	-	-
51									
REAR AXLE	-	-	495AX 493	3984 3920	-	370008A	-	39380	-
52									
REAR AXLE - STD	-	-	495AX 493	3984 3920	-	370008A	-	39380	-
REAR AXLE - GMC	-	Set408	495AX 493	39590 39520	-	370008A	-	39380	-
53									
REAR AXLE	-	Set408	42688 42620	39590 39520	-	370033A	-	38709	-
54									
REAR AXLE	-	Set408	575S 572	39590 39520	-	-	-	-	-
55									
REAR AXLE - STD	-	-	495AX 493	3984 3920	-	370008A	-	39380	-
REAR AXLE - GMC	-	Set408	495AX 493	39590 39520	-	370008A	-	39380	-
56									
REAR AXLE - STD	-	Set408	495AX 493	39590 39520	-	370009A	309-0957	37425	39420
REAR AXLE - FORD	-	-	495AX 493	3984 3920	-	370009A	309-0957	37425	39420
57									
REAR AXLE	-	Set408	42688 42620	39590 39520	-	370009A	309-0957	37425	39420

Manufacturer Line Number	Inner Set	Outer Set	Inner (Cone/Cup)	Outer (Cone/Cup)	Manufacturer			
					Timken	National	Stemco	SKF

ROCKWELL-See ARVINMERITOR (continued)

58									
REAR AXLE - STD	-	-	495AX 493	3984 3920	-	370009A	309-0957	37425	39420
REAR AXLE - DODGE	-	Set408	42688 42620	39590 39520	-	370009A	309-0957	37425	39420
59									
REAR AXLE - STD	-	-	495AX 493	3984 3920	-	370008A	-	39380	-
REAR AXLE - GMC	-	Set408	495AX 493	39590 39520	-	370008A	-	39380	-
60									
REAR AXLE	-	Set408	42688 42620	39590 39520	TKR861	370003A	309-0973	47697	-
61									
REAR AXLE	-	Set408	495AX 493	39590 39520	-	370008A	-	39380	-
62									
REAR AXLE - 1974 ON	Set411	Set408	47686 47620	39590 39520	-	370030A	309-0961	42800	-
REAR AXLE - THRU 1973	Set402	-	582 572	42687 42620	-	370030A	309-0961	42800	-
63									
REAR AXLE - STD; THRU 1973	Set402	-	582 572	42687 42620	-	370030A	309-0961	42800	-
REAR AXLE - DODGE-SOME; THRU 1973	Set411	Set408	47686 47620	39590 39520	-	370030A	309-0961	42800	-
REAR AXLE - STD; ALL 1974 ON	Set411	Set408	47686 47620	39590 39520	-	370030A	309-0961	42800	-
64									
REAR AXLE - THRU 1973	-	-	663A 653	42687 42620	-	370030A	309-0961	42800	-
REAR AXLE - 1974 ON	Set411	Set408	47686 47620	39590 39520	-	370030A	309-0961	42800	-
65									
REAR AXLE - STD; THRU 1973	Set402	-	582 572	42687 42620	-	370030A	309-0961	42800	-
REAR AXLE - DODGE-SOME; THRU 1973	Set411	Set408	47686 47620	39590 39520	-	370030A	309-0961	42800	-
REAR AXLE - STD; ALL 1974 ON	Set411	Set408	47686 47620	39590 39520	-	370030A	309-0961	42800	-
66									
REAR AXLE	Set411	Set408	47686 47620	39590 39520	TKR848	370024A	309-0915	38750	-
67									
REAR AXLE - STD	Set411	Set408	47686 47620	39590 39520	TKR849	370023A	309-0912	38780	-
68									
REAR AXLE - THRU 1973	Set402	-	582 572	42687 42620	-	370030A	309-0961	42800	-
REAR AXLE - 1974 ON	Set411	Set408	47686 47620	39590 39520	-	370030A	309-0961	42800	-
69									
REAR AXLE - STD; THRU 1973	Set402	-	582 572	42687 42620	-	370030A	309-0961	42800	-

Manufacturer Line Number	Inner Set	Outer Set	Inner (Cone/Cup)	Outer (Cone/Cup)	Manufacturer			
					Timken	National	Stemco	SKF

ROCKWELL-See ARVINMERITOR (continued)

REAR AXLE - DODGE, FORD, IHC & OSHKOSH; THRU 1973	Set411	Set408	47686 47620	39590 39520	-	370030A	309-0961	42800	-
REAR AXLE - STD; ALL 1974 ON	Set411	Set408	47686 47620	39590 39520	-	370030A	309-0961	42800	-
70									
REAR AXLE	Set411	Set408	47686 47620	39590 39520	TKR848	370024A	309-0915	38750	-
71									
REAR AXLE - STD; THRU 1973	Set402	-	582 572	42687 42620	-	370030A	309-0961	42800	-
REAR AXLE - DODGE, FORD, IHC & OSHKOSH; THRU 1973	Set411	Set408	47686 47620	39590 39520	-	370030A	309-0961	42800	-
REAR AXLE - STD; ALL 1974 ON	Set411	Set408	47686 47620	39590 39520	-	370030A	309-0961	42800	-
72									
PLANETARY REAR AXLES	-	-	48290 48220	48290 48220	-	-	-	-	-
73									
PLANETARY REAR AXLES	-	-	67390 67322	67391 67322	-	-	-	-	-
74									
PLANETARY REAR AXLES	-	-	M238849 M238810	M238849 M238810	-	-	-	-	-
75									
REAR AXLE	Set404	Set401	598A 592A	580 572	-	370030A	309-0961	42800	-
76									
REAR AXLE	-	Set401	681A 672	580 572	-	370006A	309-0970	47699	-
77									
REAR AXLE - STD	Set404	Set401	598A 592A	580 572	TKR861	370003A	309-0973	47697	-
REAR AXLE - FORD	-	-	598 592A	575 572	TKR861	370003A	309-0973	47697	-
REAR AXLE - IHC	Set403	Set401	594A 592A	580 572	TKR861	370003A	309-0973	47697	-
78									
REAR AXLE	Set404	Set401	598A 592A	580 572	-	370030A	309-0961	42800	-
79									
REAR AXLE - STD	Set404	Set401	598A 592A	580 572	TKR861	370003A	309-0973	47697	-
REAR AXLE - IHC	Set403	Set401	594A 592A	580 572	TKR861	370003A	309-0973	47697	-
REAR AXLE - WHITE	-	Set401	681A 672	580 572	TKR861	370003A	309-0973	47697	-
80									
REAR AXLE	Set404	Set401	598A 592A	580 572	TKR861	370003A	309-0973	47697	-
81									
REAR AXLE - STD	Set404	Set401	598A 592A	580 572	TKR861	370003A	309-0973	47697	-

Manufacturer Line Number	Inner Set	Outer Set	Inner (Cone/Cup)	Outer (Cone/Cup)				
					Timken	National	Stemco	SKF

ROCKWELL-See ARVINMERITOR (continued)

REAR AXLE - IHC	Set403	Set401	594A 592A	580 572	TKR861	370003A	309-0973	47697
REAR AXLE - WHITE	-	Set401	681A 672	580 572	TKR861	370003A	309-0973	47697
82								
TANDEM REAR AXLE - THRU 7-81	Set404	-	598A 592A	-	TKR861	370003A	309-0973	47697
TANDEM REAR AXLE - 8-81 ON	Set403	-	594A 592A	-	TKR861	370003A	309-0973	47697
TANDEM REAR AXLE	-	Set401	-	580 572	TKR861	370003A	309-0973	47697
83								
REAR AXLE	Set404	Set401	598A 592A	580 572	TKR861	370003A	309-0973	47697
84								
REAR AXLE	-	Set405	6559 6536	663 653	-	370178A	-	44964
85								
REAR AXLE	Set404	Set401	598A 592A	580 572	TKR861	370003A	309-0973	47697
86								
REAR AXLE	Set404	Set401	598A 592A	580 572	-	370030A	309-0961	42800
87								
REAR AXLE	-	Set401	594 592A	580 572	TKR858	370021A	309-0964	45160
88								
REAR AXLE - STD THRU 1983	Set404	-	598A 592A	-	-	370030A	309-0961	42800
REAR AXLE - STD 1984 ON	Set403	-	594A 592A	-	-	370030A	309-0961	42800
REAR AXLE - H.D.	-	-	681A 672	-	-	370030A	309-0961	42800
REAR AXLE	-	Set401	-	580 572	-	370030A	309-0961	42800
89								
REAR AXLE	Set404	Set401	598A 592A	580 572	-	370030A	309-0961	42800
90								
REAR AXLE	-	Set401	681A 672	580 572	-	370006A	309-0970	47699
91								
REAR AXLE - STD; THRU 2-81	Set404	-	598A 592A	-	-	370030A	309-0961	42800
REAR AXLE - STD; 3-81 ON	Set403	-	594A 592A	-	-	370030A	309-0961	42800
REAR AXLE - STD	-	Set401	-	580 572	TKR861	370003A	309-0973	47697
REAR AXLE - H.D.	-	Set401	681A 672	580 572	-	370030A	309-0961	42800
REAR AXLE - FORD 4-76 ON	Set403	Set401	594A 592A	580 572	TKR861	370003A	309-0973	47697
REAR AXLE - GMC	-	Set401	594 592A	580 572	TKR861	370003A	309-0973	47697

Manufacturer Line Number	Inner Set	Outer Set	Inner (Cone/Cup)	Outer (Cone/Cup)				
					Timken	National	Stemco	SKF

ROCKWELL-See ARVINMERITOR (continued)

92								
REAR AXLE - STD	-	Set401	594 592A	580 572	TKR861	370003A	309-0973	47697
REAR AXLE - FORD 4-76 ON	Set403	Set401	594A 592A	580 572	TKR861	370003A	309-0973	47697
93								
REAR AXLE	-	Set401	681A 672	580 572	-	370006A	309-0970	47699
94								
REAR AXLE - STD ;THRU 1983	Set404	-	598A 592A	-	-	370030A	309-0961	42800
REAR AXLE - STD; 1984 ON	Set403	-	594A 592A	-	-	370030A	309-0961	42800
REAR AXLE - STD	-	Set401	-	580 572	-	370030A	309-0961	42800
REAR AXLE - WHITE-SOME	-	Set401	681A 672	580 572	-	370030A	309-0961	42800
95								
REAR AXLE - STD ;THRU 1983	Set404	-	598A 592A	-	-	370006A	309-0970	47699
REAR AXLE - STD; 1984 ON	Set403	-	594A 592A	-	-	370006A	309-0970	47699
REAR AXLE - STD	-	Set401	-	580 572	-	370006A	309-0970	47699
REAR AXLE - WHITE-SOME	-	Set401	681A 672	580 572	-	370006A	309-0970	47699
96								
REAR AXLE	-	Set401	594 592A	580 572	-	370030A	309-0961	42800
97								
REAR AXLE	-	Set401	681A 672	580 572	-	370006A	309-0970	47699
98								
REAR AXLE - STD ;THRU 1983	Set404	-	598A 592A	-	-	370030A	309-0961	42800
REAR AXLE - STD; 1984 ON	Set403	-	594A 592A	-	-	370030A	309-0961	42800
REAR AXLE - STD	-	Set401	-	580 572	-	370030A	309-0961	42800
REAR AXLE - WHITE-SOME	-	Set401	681A 672	580 572	-	370030A	309-0961	42800
99								
REAR AXLE - STD ;THRU 1983	Set404	-	598A 592A	-	TKR861	370003A	309-0973	47697
REAR AXLE - STD; 1984 ON	Set403	-	594A 592A	-	TKR861	370003A	309-0973	47697
REAR AXLE - STD	-	Set401	-	580 572	TKR861	370003A	309-0973	47697
REAR AXLE - WHITE-SOME	-	Set401	681A 672	580 572	TKR861	370003A	309-0973	47697
100								
REAR AXLE - STD ;THRU 1983	Set404	-	598A 592A	-	-	370030A	309-0961	42800

Manufacturer Line Number	Inner Set	Outer Set	Inner (Cone/Cup)	Outer (Cone/Cup)				
					Timken	National	Stemco	SKF

ROCKWELL-See ARVINMERITOR (continued)

REAR AXLE - STD; 1984 ON	Set403	-	594A	-	-	370030A	309-0961	42800
	-	-	592A	-	-	-	-	-
REAR AXLE - STD	-	Set401	-	580	-	370030A	309-0961	42800
	-	-	-	572	-	-	-	-
REAR AXLE - WHITE-SOME	-	Set401	681A	580	-	370030A	309-0961	42800
	-	-	672	572	-	-	-	-
101								
REAR AXLE	Set403	Set401	594A	580	TKR861	370003A	309-0973	47697
	-	-	592A	572	-	-	-	-
102								
REAR AXLE - STD ;THRU 1983	Set404	-	598A	-	-	370030A	309-0961	42800
	-	-	592A	-	-	-	-	-
REAR AXLE - STD; 1984 ON	Set403	-	594A	-	-	370030A	309-0961	42800
	-	-	592A	-	-	-	-	-
REAR AXLE - STD	-	Set401	-	580	-	370030A	309-0961	42800
	-	-	-	572	-	-	-	-
REAR AXLE - WHITE-SOME	-	Set401	681A	580	-	370030A	309-0961	42800
	-	-	672	572	-	-	-	-
103								
REAR AXLE	-	Set401	594	580	-	370030A	309-0961	42800
	-	-	592A	572	-	-	-	-
104								
REAR AXLE	-	Set405	6559	663	-	-	-	-
	-	-	6535	653	-	-	-	-
105								
REAR AXLE - STD ;THRU 1983	Set404	-	598A	-	-	370030A	309-0961	42800
	-	-	592A	-	-	-	-	-
REAR AXLE - STD; 1984 ON	Set403	-	594A	-	-	370030A	309-0961	42800
	-	-	592A	-	-	-	-	-
REAR AXLE - STD	-	Set401	-	580	-	370030A	309-0961	42800
	-	-	-	572	-	-	-	-
REAR AXLE - WHITE-SOME	-	Set401	681A	580	-	370030A	309-0961	42800
	-	-	672	572	-	-	-	-
106								
REAR AXLE	Set404	Set401	598A	580	TKR861	370003A	309-0973	47697
	-	-	592A	572	-	-	-	-
107								
REAR AXLE - STD; THRU 2-81	Set404	-	598A	-	-	370030A	309-0961	42800
	-	-	592A	-	-	-	-	-
REAR AXLE - STD; 3-81 ON	Set403	-	594A	-	-	370030A	309-0961	42800
	-	-	592A	-	-	-	-	-
REAR AXLE - STD	-	Set401	-	580	TKR861	370003A	309-0973	47697
	-	-	-	572	-	-	-	-
REAR AXLE - H.D.	-	Set401	681A	580	-	370030A	309-0961	42800
	-	-	672	572	-	-	-	-
REAR AXLE - FORD 4-76 ON	Set403	Set401	594A	580	TKR861	370003A	309-0973	47697
	-	-	592A	572	-	-	-	-
REAR AXLE - GMC	-	Set401	594	580	TKR861	370003A	309-0973	47697
	-	-	592A	572	-	-	-	-
108								
REAR AXLE	-	-	33287	3982	-	370046A	-	31307
	-	-	33462	3920	-	-	-	-
109								
REAR AXLE	-	-	33287	3982	-	370047A	309-0935	34384
	-	-	33462	3920	-	-	-	34387

Manufacturer Line Number	Inner Set	Outer Set	Inner (Cone/Cup)	Outer (Cone/Cup)				
					Timken	National	Stemco	SKF

ROCKWELL-See ARVINMERITOR (continued)

110								
REAR AXLE	-	-	33287	3982	-	370047A	309-0935	34384
	-	-	33462	3920	-	-	-	34387
111								
REAR AXLE	Set411	Set408	47686	39590	TKR849	370023A	309-0912	38780
	-	-	47620	39520	-	-	-	-
112								
REAR AXLE	Set411	Set408	47686	39590	TKR849	370023A	309-0912	38780
	-	-	47620	39520	-	-	-	-
113								
REAR AXLE	Set411	Set408	47686	39590	TKR861	370003A	309-0973	47697
	-	-	47620	39520	-	-	-	-
114								
REAR AXLE	Set411	Set408	47686	39590	TKR861	370003A	309-0973	47697
	-	-	47620	39520	-	-	-	-
115								
REAR AXLE	Set403	Set401	594A	580	TKR861	370003A	309-0973	47697
	-	-	592A	572	-	-	-	-
116								
REAR AXLE	Set403	Set401	594A	580	TKR861	370003A	309-0973	47697
	-	-	592A	572	-	-	-	-
117								
REAR AXLE	Set403	Set401	594A	580	TKR861	370003A	309-0973	47697
	-	-	592A	572	-	-	-	-
118								
REAR AXLE	Set403	Set401	594A	580	TKR861	370003A	309-0973	47697
	-	-	592A	572	-	-	-	-
119								
REAR AXLE	Set403	Set401	594A	580	TKR861	370003A	309-0973	47697
	-	-	592A	572	-	-	-	-
120								
REAR AXLE	Set403	Set401	594A	580	TKR861	370003A	309-0973	47697
	-	-	592A	572	-	-	-	-
121								
REAR AXLE - STD	-	-	782	749	-	370120A	-	55177
	-	-	772	742	-	-	-	-
122								
REAR AXLE	-	-	782	749	-	370120A	-	55177
	-	-	772	742	-	-	-	-
123								
REAR AXLE	-	-	782	6580	-	-	-	-
	-	-	772	6535	-	-	-	-
124								
REAR AXLE - STD	Set404	Set401	598A	580	-	370030A	309-0961	42800
	-	-	592A	572	-	-	-	-
REAR AXLE - BROCKWAY	-	Set401	681A	580	-	370030A	309-0961	42800
	-	-	672	572	-	-	-	-
REAR AXLE - FORD	-	Set401	594	580	-	370030A	309-0961	42800
	-	-	592A	572	-	-	-	-

Manufacturer Line Number	Inner Set	Outer Set	Inner (Cone/Cup)	Outer (Cone/Cup)				
					Timken	National	Stemco	SKF

ROCKWELL-See ARVINMERITOR (continued)

REAR AXLE - IHC	Set403	Set401	594A 592A	580 572	- -	370030A -	309-0961 -	42800 -
125 REAR AXLE - STD	Set404	Set401	598A 592A	580 572	TKR861 -	370003A -	309-0973 -	47697 -
REAR AXLE - BROCKWAY	-	Set401	681A 672	580 572	TKR861 -	370003A -	309-0973 -	47697 -
REAR AXLE - FORD	-	Set401	594 592A	580 572	TKR861 -	370003A -	309-0973 -	47697 -
REAR AXLE - IHC	Set403	Set401	594A 592A	580 572	TKR861 -	370003A -	309-0973 -	47697 -
126 REAR AXLE - STD	Set404	Set401	598A 592A	580 572	TKR858 -	370021A -	309-0964 -	45160 -
REAR AXLE - BROCKWAY	-	Set401	681A 672	580 572	TKR858 -	370021A -	309-0964 -	45160 -
REAR AXLE - FORD	-	Set401	594 592A	580 572	TKR858 -	370021A -	309-0964 -	45160 -
REAR AXLE - IHC	Set403	Set401	594A 592A	580 572	TKR858 -	370021A -	309-0964 -	45160 -
127 TANDEM REAR AXLE	Set411	Set408	47686 47620	39590 39520	TKR849 -	370023A -	309-0912 -	38780 -
128 REAR AXLE - STD	Set404	Set401	598A 592A	580 572	TKR861 -	370003A -	309-0973 -	47697 -
REAR AXLE - BROCKWAY	-	Set401	681A 672	580 572	TKR861 -	370003A -	309-0973 -	47697 -
REAR AXLE - FORD	-	Set401	594 592A	580 572	TKR861 -	370003A -	309-0973 -	47697 -
REAR AXLE - IHC	Set403	Set401	594A 592A	580 572	TKR861 -	370003A -	309-0973 -	47697 -
129 REAR AXLE - STD	Set404	Set401	598A 592A	580 572	-	370030A -	309-0961 -	42800 -
REAR AXLE - BROCKWAY	-	Set401	681A 672	580 572	-	370030A -	309-0961 -	42800 -
REAR AXLE - FORD	-	Set401	594 592A	580 572	-	370030A -	309-0961 -	42800 -
REAR AXLE - IHC	Set403	Set401	594A 592A	580 572	-	370030A -	309-0961 -	42800 -
130 TANDEM REAR AXLE	Set403	Set401	594A 592A	580 572	TKR861 -	370003A -	309-0973 -	47697 -
131 TANDEM REAR AXLE	Set403	Set401	594A 592A	580 572	TKR861 -	370003A -	309-0973 -	47697 -
132 TANDEM REAR AXLE	Set403	Set401	594A 592A	580 572	TKR861 -	370003A -	309-0973 -	47697 -
133 TANDEM REAR AXLE	Set403	Set401	594A 592A	580 572	TKR861 -	370003A -	309-0973 -	47697 -

Manufacturer Line Number	Inner Set	Outer Set	Inner (Cone/Cup)	Outer (Cone/Cup)				
					Timken	National	Stemco	SKF

ROCKWELL-See ARVINMERITOR (continued)

134 TANDEM REAR AXLE	Set403	Set401	594A 592A	580 572	TKR861 -	370003A -	309-0973 -	47697 -
135 TANDEM REAR AXLE - STD	-	-	782 772	749 742	- -	- -	- -	- -
136 TANDEM REAR AXLE	-	-	782 772	6580 6535	- -	- -	- -	- -
137 REAR AXLE	Set403	Set401	594A 592A	580 572	TKR861 -	370003A -	309-0973 -	47697 -
138 TANDEM REAR AXLE	-	-	759 752	749 742	- -	370004A -	- -	48884 -
139 TANDEM REAR AXLE	-	-	33281 33462	3982 3920	- -	370047A -	309-0935 -	34384 34387
140 TANDEM REAR AXLE	-	-	5557 5520	5557 5520	- -	- -	- -	- -
141 TANDEM REAR AXLE	-	-	575 572	575 572	- -	370004A -	- -	48884 -
142 TANDEM REAR AXLE	-	-	760 752	749 742	- -	370004A -	- -	48884 -
143 TANDEM REAR AXLE	-	-	938 932	780 772	- -	- -	- -	- -
144 TANDEM REAR AXLE	-	-	760 752	749 742	- -	370004A -	- -	48884 -
145 TANDEM REAR AXLE	-	-	938 932	780 772	- -	- -	- -	- -
146 TANDEM REAR AXLE	-	-	33281 33462	3982 3920	- -	370008A -	- -	39380 -
147 TANDEM REAR AXLE - STD	-	-	495AX 493	3984 3920	- -	370008A -	- -	39380 -
TANDEM REAR AXLE - DODGE & WHITE	-	Set408	42688 42620	39590 39520	- -	370008A -	- -	39380 -
148 TANDEM REAR AXLE	Set402	-	582 572	42687 42620	- -	370030A -	309-0961 -	42800 -
149 TANDEM REAR AXLE - STD	Set411	Set408	47686 47620	39590 39520	TKR849 -	370023A -	309-0912 -	38780 -

Manufacturer Line Number	Inner Set	Outer Set	Inner (Cone/Cup)	Outer (Cone/Cup)				
					Timken	National	Stemco	SKF

ROCKWELL-See ARVINMERITOR (continued)

150	TANDEM REAR AXLE - STD; THRU 1973	Set402	-	582	42687	-	370030A	309-0961	42800
		-	-	572	42620	-	-	-	-
	TANDEM REAR AXLE - FORD, GMC & IHC W/RA-315; THRU 1973	Set411	Set408	47686	39590	-	370030A	309-0961	42800
		-	-	47620	39520	-	-	-	-
	TANDEM REAR AXLE - STD; ALL 1974 ON	Set411	Set408	47686	39590	-	370030A	309-0961	42800
		-	-	47620	39520	-	-	-	-
151	TANDEM REAR AXLE - STD; THRU 1973	Set402	-	582	42687	TKR848	370024A	309-0915	38750
		-	-	572	42620	-	-	-	-
	TANDEM REAR AXLE - BROCKWAY, CHEV, DODGE-1964 ON, FORD, GMC, & IHC; THRU 1973	Set411	Set408	47686	39590	TKR848	370024A	309-0915	38750
		-	-	47620	39520	-	-	-	-
	TANDEM REAR AXLE - STD; ALL 1974 ON	Set411	Set408	47686	39590	TKR848	370024A	309-0915	38750
		-	-	47620	39520	-	-	-	-
152	PLANETARY REAR AXLES	-	-	67390	67391	-	-	-	-
		-	-	67322	67322	-	-	-	-
153	PLANETARY REAR AXLES	-	-	67787	67787	-	-	-	-
		-	-	67720	67720	-	-	-	-
154	PLANETARY REAR AXLES	-	-	M238849	M238849	-	-	-	-
		-	-	M238810	M238810	-	-	-	-
155	PLANETARY REAR AXLES	-	-	48290	48290	-	-	-	-
		-	-	48220	48220	-	-	-	-
156	PLANETARY REAR AXLES	-	-	67390	67391	-	-	-	-
		-	-	67322	67322	-	-	-	-
157	PLANETARY REAR AXLES	-	-	67787	67787	-	-	-	-
		-	-	67720	67720	-	-	-	-
158	TANDEM REAR AXLE	Set403	Set401	594A	580	TKR861	370003A	309-0973	47697
		-	-	592A	572	-	-	-	-
159	TANDEM REAR AXLE - THRU 2-81	Set404	-	598A	-	TKR861	370003A	309-0973	47697
		-	-	592A	-	-	-	-	-
	TANDEM REAR AXLE - 3-81 ON	Set403	-	594A	-	TKR861	370003A	309-0973	47697
		-	-	592A	-	-	-	-	-
	TANDEM REAR AXLE	-	Set401	-	580	TKR861	370003A	309-0973	47697
		-	-	-	572	-	-	-	-
160	TANDEM REAR AXLE - THRU 2-81	Set404	-	598A	-	-	370030A	309-0961	42800
		-	-	592A	-	-	-	-	-
	TANDEM REAR AXLE - 3-81 ON	Set403	-	594A	-	-	370030A	309-0961	42800
		-	-	592A	-	-	-	-	-
	TANDEM REAR AXLE	-	Set401	-	580	-	370030A	309-0961	42800
		-	-	-	572	-	-	-	-

Manufacturer Line Number	Inner Set	Outer Set	Inner (Cone/Cup)	Outer (Cone/Cup)				
					Timken	National	Stemco	SKF

ROCKWELL-See ARVINMERITOR (continued)

161	TANDEM REAR AXLE - STD & AUTOCAR 9-79 ON ;THRU 2-81	Set404	-	598A	-	-	370030A	309-0961	42800
		-	-	592A	-	-	-	-	-
	TANDEM REAR AXLE - STD & AUTOCAR 9-79 ON ;3-81 ON	Set403	-	594A	-	-	370030A	309-0961	42800
		-	-	592A	-	-	-	-	-
	TANDEM REAR AXLE - STD & AUTOCAR 9-79 ON	-	Set401	-	580	-	370030A	309-0961	42800
		-	-	-	572	-	-	-	-
	TANDEM REAR AXLE - AUTOCAR 11-74 THRU 8-79	-	Set401	681A	580	-	370030A	309-0961	42800
		-	-	672	572	-	-	-	-
	TANDEM REAR AXLE - FORD THRU 3-76 & IHC W/RA-333/4	-	-	598	575	-	370030A	309-0961	42800
		-	-	592A	572	-	-	-	-
	TANDEM REAR AXLE - FORD 4-76 ON	Set403	Set401	594A	580	-	370030A	309-0961	42800
		-	-	592A	572	-	-	-	-
162	TANDEM REAR AXLE - THRU 2-81	Set404	-	598A	-	-	370030A	309-0961	42800
		-	-	592A	-	-	-	-	-
	TANDEM REAR AXLE - 3-81 ON	Set403	-	594A	-	-	370030A	309-0961	42800
		-	-	592A	-	-	-	-	-
	TANDEM REAR AXLE	-	Set401	-	580	-	370030A	309-0961	42800
		-	-	-	572	-	-	-	-
163	TANDEM REAR AXLE	Set403	Set401	594A	580	TKR861	370003A	309-0973	47697
		-	-	592A	572	-	-	-	-
164	TANDEM REAR AXLE - THRU 2-81	Set404	-	598A	-	TKR861	370003A	309-0973	47697
		-	-	592A	-	-	-	-	-
	TANDEM REAR AXLE - 3-81 ON	Set403	-	594A	-	TKR861	370003A	309-0973	47697
		-	-	592A	-	-	-	-	-
	TANDEM REAR AXLE	-	Set401	-	580	TKR861	370003A	309-0973	47697
		-	-	-	572	-	-	-	-
165	TANDEM REAR AXLE - STD; THRU 2-81	Set404	-	598A	-	TKR861	370003A	309-0973	47697
		-	-	592A	-	-	-	-	-
	TANDEM REAR AXLE - STD; 3-81 ON	Set403	-	594A	-	TKR861	370003A	309-0973	47697
		-	-	592A	-	-	-	-	-
	TANDEM REAR AXLE - STD	-	Set401	-	580	TKR861	370003A	309-0973	47697
		-	-	-	572	-	-	-	-
166	TANDEM REAR AXLE	Set403	Set401	594A	580	TKR861	370003A	309-0973	47697
		-	-	592A	572	-	-	-	-
167	TANDEM REAR AXLE	Set403	Set401	594A	580	-	370120A	-	55177
		-	-	592A	572	-	-	-	-
168	TANDEM REAR AXLE - THRU 2-81	Set404	-	598A	-	TKR861	370003A	309-0973	47697
		-	-	592A	-	-	-	-	-
	TANDEM REAR AXLE - 3-81 ON	Set403	-	594A	-	TKR861	370003A	309-0973	47697
		-	-	592A	-	-	-	-	-
	TANDEM REAR AXLE	-	Set401	-	580	TKR861	370003A	309-0973	47697
		-	-	-	572	-	-	-	-

Manufacturer Line Number	Inner Set	Outer Set	Inner (Cone/Cup)	Outer (Cone/Cup)				
					Timken	National	Stemco	SKF

ROCKWELL-See ARVINMERITOR (continued)

169	TANDEM REAR AXLE - THRU 2-81	Set404	-	598A	-	-	370030A	309-0961	42800
		-	-	592A	-	-	-	-	-
	TANDEM REAR AXLE - 3-81 ON	Set403	-	594A	-	-	370030A	309-0961	42800
		-	-	592A	-	-	-	-	-
	TANDEM REAR AXLE	-	Set401	-	580	-	370030A	309-0961	42800
		-	-	-	572	-	-	-	-
170	TANDEM REAR AXLE - STD & AUTOCAR 9-79 ON ;THRU 2-81	Set404	-	598A	-	-	370006A	309-0970	47699
		-	-	592A	-	-	-	-	-
	TANDEM REAR AXLE - STD & AUTOCAR 9-79 ON ;3-81 ON	Set403	-	594A	-	-	370006A	309-0970	47699
		-	-	592A	-	-	-	-	-
	TANDEM REAR AXLE - STD & AUTOCAR 9-79 ON	-	Set401	-	580	-	370006A	309-0970	47699
		-	-	-	572	-	-	-	-
	TANDEM REAR AXLE - AUTOCAR THRU 8-79 & WHITE-OPT 10-1-70 ON	-	Set401	681A	580	-	370006A	309-0970	47699
		-	-	672	572	-	-	-	-
171	TANDEM REAR AXLE - STD & AUTOCAR 9-79 ON ;THRU 2-81	Set404	-	598A	-	-	-	-	-
		-	-	592A	-	-	-	-	-
	TANDEM REAR AXLE - STD & AUTOCAR 9-79 ON ;3-81 ON	Set403	-	594A	-	-	-	-	-
		-	-	592A	-	-	-	-	-
	TANDEM REAR AXLE - STD & AUTOCAR 9-79 ON	-	Set401	-	580	-	-	-	-
		-	-	-	572	-	-	-	-
	TANDEM REAR AXLE - AUTOCAR THRU 8-79 & WHITE-OPT 10-1-70 ON	-	Set401	681A	580	-	-	-	-
		-	-	672	572	-	-	-	-
172	TANDEM REAR AXLE - STD; THRU 2-81	Set404	-	598A	-	-	-	-	-
		-	-	592A	-	-	-	-	-
	TANDEM REAR AXLE - STD; 3-81 ON	Set403	-	594A	-	-	-	-	-
		-	-	592A	-	-	-	-	-
	TANDEM REAR AXLE - STD	-	Set401	-	580	-	-	-	-
		-	-	-	572	-	-	-	-
173	TANDEM REAR AXLE	Set403	Set401	594A	580	-	370120A	-	55177
		-	-	592A	572	-	-	-	-
174	TANDEM REAR AXLE	-	-	782	749	-	370120A	-	55177
		-	-	772	742	-	-	-	-
175	TANDEM REAR AXLE - STD	Set403	Set401	594A	580	-	370030A	309-0961	42800
		-	-	592A	572	-	-	-	-
	TANDEM REAR AXLE - AUTOCAR & BROCKWAY 1-1-74 ON	-	Set401	683XA	580	-	370030A	309-0961	42800
		-	-	672	572	-	-	-	-
176	TANDEM REAR AXLE - STD	-	-	782	749	-	370120A	-	55177
		-	-	772	742	-	-	-	-

Manufacturer Line Number	Inner Set	Outer Set	Inner (Cone/Cup)	Outer (Cone/Cup)				
					Timken	National	Stemco	SKF

ROCKWELL-See ARVINMERITOR (continued)

177	TANDEM REAR AXLE - STD	-	-	782	749	-	-	-	-
		-	-	772	742	-	-	-	-
178	TANDEM REAR AXLE	-	-	760	749	-	370030A	309-0961	42800
		-	-	752	742	-	-	-	-
179	TANDEM REAR AXLE - STD	-	-	782	749	-	370120A	-	55177
		-	-	772	742	-	-	-	-
180	TANDEM REAR AXLE	-	-	782	6580	-	-	-	-
		-	-	772	6535	-	-	-	-
181	TANDEM REAR AXLE	-	-	581	575	TKR850	370036A	307-0713	40136
		-	-	572	572	-	-	-	-
182	TANDEM REAR AXLE	-	-	760	749	-	370004A	-	48884
		-	-	752	742	-	-	-	-
183	REAR AXLE - STD	-	-	782	749	-	370120A	-	55177
		-	-	772	742	-	-	-	-
184	REAR AXLE	-	-	782	749	-	-	-	-
		-	-	772	742	-	-	-	-
185	REAR AXLE	-	-	760	749	TKR861	370003A	309-0973	47697
		-	-	752	742	-	-	-	-
186	REAR AXLE	-	-	782	749	-	370120A	-	55177
		-	-	772	742	-	-	-	-
187	REAR AXLE	-	-	782	749	-	370120A	-	55177
		-	-	772	742	-	-	-	-
188	REAR AXLE	-	-	760	749	-	370004A	-	48884
		-	-	752	742	-	-	-	-
189	REAR AXLE	-	-	782	6580	-	-	-	-
		-	-	772	6535	-	-	-	-
190	REAR AXLE	-	-	782	6580	-	-	-	-
		-	-	772	6535	-	-	-	-
191	TRAILER AXLE	-	Set413	665A	HM212049	TKR853	370037A	307-0744	43752
		-	-	653	HM212011	-	-	-	-
192	TRAILER AXLE	Set414	Set413	HM218248	HM212049	TKR859	370025A	307-0743	46305
		-	-	HM218210	HM212011	-	-	-	-

Manufacturer Line Number	Inner Set	Outer Set	Inner (Cone/Cup)	Outer (Cone/Cup)				
					Timken	National	Stemco	SKF

ROCKWELL-See ARVINMERITOR (continued)

193	TRAILER AXLE	-	Set406	HM212044 HM212011	3782 3720	-	-	-	-
194	TRAILER AXLE	-	-	495AX 493	3984 3920	-	370008A	-	39380
195	TRAILER AXLE	Set405	Set413	663 653	HM212049 HM212011	TKR850	370036A	307-0713	40136
196	TRAILER AXLE	Set404	Set401	598A 592A	580 572	-	-	-	-
197	TRAILER AXLE	-	-	495AX 493	3984 3920	-	370008A	-	39380
198	TRAILER AXLE	Set405	-	663 653	-	TKR850	370036A	307-0713	40136
	TRAILER AXLE - Some Use 560/553X	-	Set413	-	HM212049 HM212011	TKR850	370036A	307-0713	40136
199	TRAILER AXLE	Set405	Set413	663 653	HM212049 HM212011	TKR850	370036A	307-0713	40136
200	TRAILER AXLE	-	Set413	665A 653	HM212049 HM212011	TKR853	370037A	307-0744	43752
201	TRAILER AXLE	Set414	Set413	HM218248 HM218210	HM212049 HM212011	TKR859	370025A	307-0743	46305
202	TRAILER AXLE	Set414	Set413	HM218248 HM218210	HM212049 HM212011	-	-	-	-
203	TRAILER AXLE	Set414	Set413	HM218248 HM218210	HM212049 HM212011	TKR850	370036A	307-0713	40136
204	TRAILER AXLE	-	Set413	665A 653	HM212049 HM212011	TKR853	370037A	307-0744	43752
205	TRAILER AXLE	Set403	Set401	594A 592A	580 572	-	-	-	-
206	TRAILER AXLE	Set414	Set413	HM218248 HM218210	HM212049 HM212011	TKR859	370025A	307-0743	46305
207	TRAILER AXLE	Set415	Set415	HM518445 HM518410	HM518445 HM518410	TKR851	370065A	307-0723	42623
208	TRAILER AXLE	Set414	Set413	HM218248 HM218210	HM212049 HM212011	TKR859	370025A	307-0743	46305

Manufacturer Line Number	Inner Set	Outer Set	Inner (Cone/Cup)	Outer (Cone/Cup)				
					Timken	National	Stemco	SKF

ROCKWELL-See ARVINMERITOR (continued)

209	TRAILER AXLE	Set403	Set401	594A 592A	580 572	TKR861	370003A	309-0973	47697
210	TRAILER AXLE	-	-	52401 52637	596 592A	-	370004A	-	48884
211	TRAILER AXLE	-	-	786 772	HM617049 HM617010	-	-	-	-

STANDARD FORGE Axle Model Index

Model	Line No.	Model	Line No.	Model	Line No.	Model	Line No.
A-11 SERS.	1	A-19 SERS.	6	A-26 SERS.	11	A-65 SERS.	16
A-13 SERS.	2	A-20 SERS.	7	A-40 SERS.	12	S-700 SERS.	17
A-15 SERS.	3	A-21 SERS.	8	A-45 SERS.	13	S-900 SERS.	18
A-16 SERS.	4	A-22 SERS.	9	A-50 SERS.	14	T8.5 SERS.	19
A-17 SERS.	5	A-25 SERS.	10	A-60 SERS.	15	TA-16S-60 SERS.	20

Manufacturer Line Number	Inner Set	Outer Set	Inner (Cone/Cup)	Outer (Cone/Cup)				
					Timken	National	Stemco	SKF

STANDARD FORGE

1	TRAILER AXLE	-	-	560S 552A	419 414	-	370029A	-	-
2	TRAILER AXLE	Set425	-	567 563	528 522	-	370002A	-	35075
3	TRAILER AXLE	Set425	-	567 563	528 522	-	370002A	-	35075
4	TRAILER AXLE	Set401	Set413	580 572	HM212049 HM212011	-	-	-	-
5	TRAILER AXLE	Set405	-	663 653	560 553X	TKR850	370036A	307-0713	40136
6	TRAILER AXLE - Some Use 665A Cone	Set405	-	663 653	-	TKR850	370036A	307-0713	40136
	TRAILER AXLE	-	Set413	-	HM212049 HM212011	TKR850	370036A	307-0713	40136
7	TRAILER AXLE	-	-	749 742	643 632	-	370107A	-	42624
	TRAILER AXLE - OPT	-	-	-	643 633	-	370107A	-	42624
8	TRAILER AXLE	-	-	749 742	643 632	-	370107A	-	42624
	TRAILER AXLE - OPT	-	-	-	643 633	-	370107A	-	42624

Manufacturer Line Number	Inner Set	Outer Set	Inner (Cone/Cup)	Outer (Cone/Cup)				
					Timken	National	Stemco	SKF

STANDARD FORGE (continued)

9	TRAILER AXLE	Set414	Set413	HM218248 HM218210	HM212049 HM212011	TKR859	370025A	307-0743	46305
10	TRAILER AXLE	-	-	760 752	749 742	-	370192A	-	45162
11	TRAILER AXLE	-	-	759 752	740 742	-	370192A	-	45162
12	TRAILER AXLE	-	-	780 772	6580 6521	-	-	-	-
	TRAILER AXLE - OPT	-	-	-	6580 6535	-	-	-	-
13	TRAILER AXLE	-	-	787 772	6580 6535	-	-	-	-
14	TRAILER AXLE	-	-	896 892	6580 6535	-	-	-	-
15	TRAILER AXLE	-	-	896 892	6580 6535	-	-	-	-
16	TRAILER AXLE	-	-	896 892	6580 6535	-	-	-	-
17	TRAILER AXLE	Set405	-	663 653	560 553X	TKR850	370036A	307-0713	40136
18	TRAILER AXLE - Some Use 665A Cone	Set405	-	663 653	-	TKR850	370036A	307-0713	40136
	TRAILER AXLE	-	Set413	-	HM212049 HM212011	TKR850	370036A	307-0713	40136
19	TRAILER AXLE	-	-	28995 28920	25580 25523	-	370010A	-	28820
20	TRAILER AXLE	Set401	-	580 572	560 553X	-	-	-	-

VOLVO Axle Model Index

Model	Line No.	Model	Line No.	Model	Line No.	Model	Line No.
F607	1	F611 (chassis 2377)	3	F613 (chassis 6451)	8	N10	12
F610	1	F612 (chassis 6450)	5	F614 (chassis CH703)	9		
F6111	4	F612 (chassis 6451)	6	F614 (chassis CH704)	10		
F611 (chassis 2376)	2	F613 (chassis 6450)	7	F7	11		

Manufacturer Line Number	Inner Set	Outer Set	Inner (Cone/Cup)	Outer (Cone/Cup)				
					Timken	National	Stemco	SKF

VOLVO

3		-	-	JM207047 JM207010	-	-	-	-	-
6		-	-	JM207047 JM207010	-	-	-	-	-
8		-	-	JM207047 JM207010	-	-	-	-	-
10		-	-	JM207047 JM207010	-	-	-	-	-
11	DISC & SPOKE WHLS FA7.5 METRIC TONS	-	-	JF7049A JF7010	39580 39520	-	-	-	-
	DISC WHLS FA6.5-METRIC TONS, BC286 & SPOKE WHL	-	-	6386 6320	537 532X	-	-	-	-
	DISC & SPOKE WHLS-4X2, 6X2 & 6X4	-	Set405	683 672	663 653	-	-	-	-
12	SPOKE WHL, DISC WHL FA6.5-METRIC TONS, FA5.5-METRIC TONS	-	-	6386 6320	537 532X	-	-	-	-
	SPOKE WHL, DISC WHL FA6.5-METRIC TONS, FA5.5-METRIC TONS ;SPOKE & DISC	-	Set405	683 672	663 653	-	-	-	-

WHITE GMC AUTOCAR Axle Model Index

Model	Line No.	Model	Line No.	Model	Line No.	Model	Line No.
G	1	GG	1	TK	2		

Manufacturer Line Number	Inner Set	Outer Set	Inner (Cone/Cup)	Outer (Cone/Cup)				
					Timken	National	Stemco	SKF

WHITE GMC AUTOCAR

1	REAR AXLE	-	-	77375 77675	77375 77675	-	-	-	-
2	REAR AXLE	-	-	749 742	749 742	-	-	-	-

WHITE GMC Axle Model Index

Model	Line No.	Model	Line No.	Model	Line No.	Model	Line No.
114D	1	154C	24	F3W-125	8	F5W-140	16
115D	1	189C	25	F3W-140	9	F5W-80	17
116D	2	199C	25	F3W-1400	10	F6W-100	18
121D	2	240C	25	F3W-141	10	F6W-120	19
122D	2	89C	26	F3W-80	11	F6W-1200	20
124C	21	F3-100	4	F5-100	12	F6W-125	20
12D	3	F3-120	5	F5-120	13	F6W-1400	20
130C	21	F3-140	5	F5-140	13	F6W-141	20
133C	21	F3W-100	6	F5-80	14	TS-135	27
134C	22	F3W-120	7	F5W-100	15	TS-135L	27
143C	23	F3W-1200	8	F5W-120	16	TS-150	27

Manufacturer Line Number	Inner Set	Outer Set	Inner (Cone/Cup)	Outer (Cone/Cup)				
					Timken	National	Stemco	SKF
1 FRONT AXLE	-	-	539 532A	417 414A	-	370018A	-	32470
2 FRONT AXLE	Set413	Set406	HM212049 HM212011	3782 3720	-	370012A	-	36285
3 FRONT AXLE	-	-	6389 6320	537 532A	-	370015A	-	40040
4 FRONT AXLE	-	-	HM212046 HM212011	3583 3525	-	370012A	-	36285
5 FRONT AXLE	Set413	Set406	HM212049 HM212011	3782 3720	-	370012A	-	36285
6 FRONT AXLE	-	-	HM212046 HM212011	3583 3525	-	370012A	-	36285
7 FRONT AXLE	Set413	Set406	HM212049 HM212011	3782 3720	-	370012A	-	36285
8 FRONT AXLE	-	Set406	HM212049 HM212011	3782 3720	-	370012A	-	36285
9 FRONT AXLE	Set413	Set406	HM212049 HM212011	3782 3720	-	370012A	-	36285
10 FRONT AXLE	-	Set406	HM212049 HM212011	3782 3720	-	370012A	-	36285
11 FRONT AXLE	-	-	539 532A	417 414A	-	370018A	-	32470
12 FRONT AXLE	-	-	HM212046 HM212011	3583 3525	-	370012A	-	36285
13 FRONT AXLE	Set413	Set406	HM212049 HM212011	3782 3720	-	370012A	-	36285
14 FRONT AXLE	-	-	539 532A	417 414A	-	370018A	-	32470
15 FRONT AXLE	-	-	HM212046 HM212011	3583 3525	-	370012A	-	36285
16 FRONT AXLE	Set413	Set406	HM212049 HM212011	3782 3720	-	370012A	-	36285
17 FRONT AXLE	-	-	539 532A	417 414A	-	370018A	-	32470

Manufacturer Line Number	Inner Set	Outer Set	Inner (Cone/Cup)	Outer (Cone/Cup)				
					Timken	National	Stemco	SKF
18 FRONT AXLE	-	-	HM212046 HM212011	3583 3525	-	370012A	-	36285
19 FRONT AXLE	Set413	Set406	HM212049 HM212011	3782 3720	-	370012A	-	36285
20 FRONT AXLE	-	Set406	HM212049 HM212011	3782 3720	-	370012A	-	36285
21 REAR AXLE	Set404	Set401	598A 592A	580 572	TKR861	370003A	309-0973	47697
22 REAR AXLE	-	Set401	681A 672	580 572	-	370006A	309-0970	47699
23 REAR AXLE	Set404	Set401	598A 592A	580 572	TKR861	370003A	309-0973	47697
24 REAR AXLE	-	-	77375 77675	77375 77675	-	-	-	-
25 REAR AXLE	-	Set401	681A 672	580 572	-	370006A	309-0970	47699
26 REAR AXLE	-	Set401	749 742	580 572	TKR854	370019A	309-0965	43860
27 REAR AXLE	Set404	Set401	598A 592A	580 572	TKR861	370003A	309-0973	47697

APPLICATIONS - SET-RIGHT® HEAVY-DUTY HUB REBUILD KITS

Rebuild Your Hubs and Get the Timken Advantage



Kit Components

Quality Timken® MileMate® Bearings

- Original equipment used in heavy-duty, pre-adjusted wheel hub assemblies since 1995
- Engineered exclusively for pre-adjusted wheel hubs
- Precise half-stand tolerancing provides accurate setting every time
- Consistent and reliable internal geometry equals known performance
- Helps lengthen maintenance intervals
- Helps optimize bearing performance
- Timken “NP” part numbers
 - Proprietary design
 - Enhanced surfaces
 - More precise internal bearing geometry
 - Exceed industry standards
 - Rebuilding with NP parts helps ensure you get all the advantages that were originally engineered into the heavy-duty, pre-adjusted hub systems

Precision Machined Cone Spacer

- Designed for the rigorous demands of the heavy-duty wheel market
- Made from high-strength alloy
- Manufactured to precise tolerances
- Combined with Timken half-stand bearings and a special toleranced hub, the need for manual adjustment is eliminated

Go With the Proven Leader

To make it easier and more convenient for you to rebuild hubs, Timken now offers Set-Right® Heavy-Duty Hub Rebuild Kits incorporating two Timken® MileMate® sets – the original matched wheel bearing sets produced in North America – and a precision OE spacer.

Using our specially toleranced bearings in conjunction with a precision OE-machined spacer allows you to achieve the proper wheel bearing end-play, eliminating the need for manual bearing adjustment. The repeatability of the bearing setting range provides for optimum seal and bearing life. This consistency could help reduce fleet fuel costs.

We understand what the heavy-duty industry demands from their bearings and provide quality products that help keep fleets operating more efficiently and cost effectively. In fact, if you look inside your wheel-ends, the odds are in your favor that you’ll find Timken bearings. Why not replace them with the original? Go with the proven leader.

Timken is where you turn for original matched wheel bearing sets and the assurance that your bearings are Set-Right.

Set-Right Kits – The Right Choice for You

- Enable faster and more reliable wheel-end builds; help improve up-time
- Reduce inventory with lower component counts
- Help optimize seal performance and life
- Eliminate manual adjustment, one of the leading causes of wheel end issues

Timken Technology

In the mid-1970s, Timken engineers developed the Set-Right setting method to help optimize bearing performance. Then, in the mid-1990s, working with the leader in heavy-duty hub innovation, this pre-adjusted bearing technology was launched into the North American marketplace. The bearings used in these applications are known as

half-stand bearings; they have half the stand tolerance (measurement tolerance) of that used in standard bearings. This means that the stand tolerance is twice as stringent (see diagram on backside). Timken has been supplying these bearings for the North American heavy-duty industry’s most popular pre-adjusted wheel ends since 1995.

Set-Right Heavy-Duty Hub Rebuild Kits and Components

FFTC1 - FF Steer Kit			
Kit Contents	MileMate® P/N	Component P/N	Qty
Inner half-stand NP cone	SET427*	NP899357	1
Inner half-stand NP cup		NP026773	1
Outer half-stand NP cone	SET428*	NP874005	1
Outer half-stand NP cup		NP435398	1
Spacer**			1

TNTC1 - N Trailer Kit			
Kit Contents	MileMate® P/N	Component P/N	Qty
Inner half-stand NP cone	SET431*	NP965350	1
Inner half-stand NP cup		NP503727	1
Outer half-stand NP cone	SET427*	NP899357	1
Outer half-stand NP cup		NP026773	1
Spacer**			1

FLTC1 - FL Steer Kit			
Kit Contents	MileMate® P/N	Component P/N	Qty
Inner half-stand NP cone	SET445*	NP294109	1
Inner half-stand NP cup		NP039695	1
Outer half-stand NP cone	SET446*	NP107091	1
Outer half-stand NP cup		NP183330	1
Spacer**			1

TNTC2 - 454-Series N Trailer Kit			
Kit Contents	MileMate® P/N	Component P/N	Qty
Inner half-stand NP cone	SET602*	NP454350	1
Inner half-stand NP cup		NP454727	1
Outer half-stand NP cone	SET603*	NP454357	1
Outer half-stand NP cup		NP454773	1
Spacer**			1

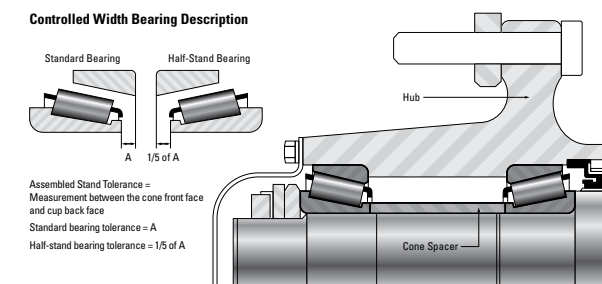
RDTC1 - R Drive Kit			
Kit Contents	MileMate® P/N	Component P/N	Qty
Inner half-stand NP cone	SET429*	NP034946	1
Inner half-stand NP cup		NP363298	1
Outer half-stand NP cone	SET430*	NP840302	1
Outer half-stand NP cup		NP053874	1
Spacer**			1

TPTC1 - P Trailer Kit			
Kit Contents	MileMate® P/N	Component P/N	Qty
Half-stand NP cone	SET432*	NP174964	2
Half-stand NP cup		NP593561	2
Spacer**			1

RDTC2 - 454-Series R Drive Kit			
Kit Contents	MileMate® P/N	Component P/N	Qty
Inner half-stand NP cone	SET600*	NP454946	1
Inner half-stand NP cup		NP454298	1
Outer half-stand NP cone	SET601*	NP454302	1
Outer half-stand NP cup		NP454874	1
Spacer**			1

TPTC2 - 454-Series P Trailer Kit			
Kit Contents	MileMate® P/N	Component P/N	Qty
Half-stand NP cone	SET604*	NP454964	2
Half-stand NP cup		NP454561	2
Spacer**			1

* Includes proprietary Timken part numbers
 ** Spacer not sold separately



CAUTION

Prior to retrofitting or rebuilding your existing pre-adjusted wheel-end, you must start with the proper hub. Hubs designed for use with the Set-Right kits have special internal tolerancing that helps achieve maximum performance. Contact your hub supplier if you are unsure. The use of a standard hub will create an undesirable setting range, which may result in component damage.

APPLICATIONS - KIT DE REMONTAGE HAUTES PERFORMANCES TIMKEN SET-RIGHT®

Remontage des moyeux – Prenez une longueur d'avance avec Timken



Composants du kit

Roulements Timken® MileMate® de qualité

- Produits d'origine utilisés depuis 1995 dans les moyeux hautes performances pré-réglés
- Conçus exclusivement pour les moyeux pré-réglés
- Tolérancement « half-stand » précis pour un réglage systématiquement correct
- Géométrie interne cohérente et fiable pour des performances garanties
- Intervalles de maintenance plus longs
- Optimisation des performances des roulements
- Références « NP » (acier nickelé) Timken
 - Conception exclusive
 - Surfaces améliorées
 - Géométrie interne des roulements plus précise
 - Qualité supérieure aux standards de l'industrie
 - Le remontage avec des pièces en acier nickelé vous garantit un fonctionnement identique aux pièces d'origine intégrées dans les moyeux hautes performances pré-réglés

Usinage très précis de l'entretoise-cône

- Conçus pour le très exigeant marché des roues de poids lourds
- Réalisés en alliage haute résistance
- Manufacturés selon des tolérances précises
- Aucun réglage manuel lorsqu'associés à des roulements « half-stand » Timken et à un moyeu à tolérances spéciales

Choisissez le leader mondial

Pour faciliter le remontage de vos moyeux, Timken vous propose les kits de remontage hautes performances Set-Right® comprenant deux jeux MileMate® (des roulements Timken® fabriqués en Amérique du Nord) ainsi qu'une entretoise de précision d'origine.

En combinant nos roulements à tolérance spéciale avec une entretoise d'origine à usinage haute précision, le jeu axial de roulement obtenu est optimal, sans avoir à effectuer de réglage manuel. La répétabilité de l'opération de réglage garantit une durée de vie maximale tant pour le joint que pour le roulement. Cette cohérence permet de réduire la consommation en carburant des poids lourds.

Conscients du niveau d'exigence de l'industrie des poids lourds, nous lui fournissons des roulements de qualité qui améliorent la rentabilité des véhicules. En fait, si vous regardez à l'intérieur de vos roues, il y a fort à parier qu'elles sont équipées de roulements Timken. Et si vous décidez de les remplacer par des roulements d'origine, mieux vaut vous adresser au leader mondial.

Pour des roulements d'origine réglés de manière optimale, une seule référence : Timken.

Kits Set-Right – Le choix qui vous convient

- Des roues remontées plus rapidement pour des véhicules disponibles plus longtemps
- Moins de composants pour réduire les stocks
- Optimisation de la durée de vie et des performances des joints
- Aucun réglage manuel, l'une des principales causes des problèmes de roues

Technologie Timken

Au milieu des années 1970, les ingénieurs Timken ont mis au point la méthode de réglage Set-Right permettant d'optimiser les performances des roulements. Au milieu des années 1990, en collaboration avec le leader mondial des moyeux pour poids lourds, cette technologie de roulement pré-réglé a été commercialisée sur le marché

nord-américain. Les roulements utilisés dans ce secteur sont appelés roulements « half-stand », car ils requièrent la moitié de la tolérance de mesure des roulements standard. Autrement dit, la tolérance de mesure est deux fois plus stricte (voir le schéma au verso). Timken fournit ces roulements pour les roues pré-réglées les plus utilisées sur les poids lourds en Amérique du Nord depuis 1995.

Kits et composants de remontage hautes performances Timken Set-Right

FFTC1 – Kit conducteur FF			
Contenu du kit	Référence MileMate®	Référence composant	Qté
Cône intérieur « half-stand » en acier nickelé	SET427*	NP899357	1
Cuvette intérieure « half-stand » en acier nickelé		NP026773	1
Cône extérieur « half-stand » en acier nickelé	SET428*	NP874005	1
Cuvette extérieure « half-stand » en acier nickelé		NP435398	1
Entretoise**			1

TNTC1 – Kit remorque N			
Contenu du kit	Référence MileMate®	Référence composant	Qté
Cône intérieur « half-stand » en acier nickelé	SET431*	NP965350	1
Cuvette intérieure « half-stand » en acier nickelé		NP503727	1
Cône extérieur « half-stand » en acier nickelé	SET427*	NP899357	1
Cuvette extérieure « half-stand » en acier nickelé		NP026773	1
Entretoise**			1

FLTC1 – Kit conducteur FL			
Contenu du kit	Référence MileMate®	Référence composant	Qté
Cône intérieur « half-stand » en acier nickelé	SET445*	NP294109	1
Cuvette intérieure « half-stand » en acier nickelé		NP039695	1
Cône extérieur « half-stand » en acier nickelé	SET446*	NP107091	1
Cuvette extérieure « half-stand » en acier nickelé		NP183330	1
Entretoise**			1

TNTC2 – Kit remorque N 454-Series			
Contenu du kit	Référence MileMate®	Référence composant	Qté
Cône intérieur « half-stand » en acier nickelé	SET602*	NP454350	1
Cuvette intérieure « half-stand » en acier nickelé		NP454727	1
Cône extérieur « half-stand » en acier nickelé	SET603*	NP454357	1
Cuvette extérieure « half-stand » en acier nickelé		NP454773	1
Entretoise**			1

RDTTC1 – Kit entraîneur R			
Contenu du kit	Référence MileMate®	Référence composant	Qté
Cône intérieur « half-stand » en acier nickelé	SET429*	NP034946	1
Cuvette intérieure « half-stand » en acier nickelé		NP363298	1
Cône extérieur « half-stand » en acier nickelé	SET430*	NP840302	1
Cuvette extérieure « half-stand » en acier nickelé		NP053874	1
Entretoise**			1

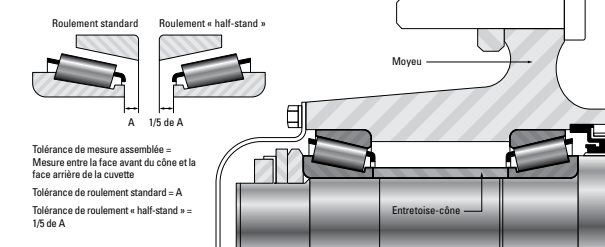
TPTTC1 – Kit remorque P			
Contenu du kit	Référence MileMate®	Référence composant	Qté
Cône « half-stand » en acier nickelé	SET432*	NP174964	2
Cuvette « half-stand » en acier nickelé		NP593561	2
Entretoise**			1

RDTTC2 – Kit entraîneur R 454-Series			
Contenu du kit	Référence MileMate®	Référence composant	Qté
Cône intérieur « half-stand » en acier nickelé	SET600*	NP454946	1
Cuvette intérieure « half-stand » en acier nickelé		NP454298	1
Cône extérieur « half-stand » en acier nickelé	SET601*	NP454302	1
Cuvette extérieure « half-stand » en acier nickelé		NP454874	1
Entretoise**			1

TPTTC2 – Kit remorque P 454-Series			
Contenu du kit	Référence MileMate®	Référence composant	Qté
Cône « half-stand » en acier nickelé	SET604*	NP454964	2
Cuvette « half-stand » en acier nickelé		NP454561	2
Entretoise**			1

* Comprend les références Timken exclusives
** L'entretoise n'est pas vendue séparément

Description d'un roulement à largeur contrôlée



ATTENTION

Avant d'installer ou de remonter votre pneumatique pré-réglé existant, munissez-vous du moyeu approprié. Les moyeux à utiliser avec les kits Set-Right ont une tolérance interne particulière, conçue pour des performances optimales. Contactez votre fournisseur de moyeux si vous avez besoin de précisions. L'utilisation d'un moyeu standard crée un jeu de réglage inadéquat qui peut endommager le composant.

APLICACIONES - KIT SET-RIGHT® PARA REPARACIÓN DE MAZAS DE SERVICIO PESADO

Repáre sus mazas - aproveche las ventajas de Timken



Componentes del kit

Rodamientos Quality Timken® MileMate®

- Equipo original usado en ensambles preajustados de maza para servicio pesado, desde 1995
- Diseñado exclusivamente para mazas preajustadas
- La tolerancia precisa del ancho interno ofrece un ajuste más exacto
- La geometría interna uniforme y confiable
- Ayuda a prolongar los intervalos de mantenimiento
- Ayuda a mejorar el desempeño del rodamiento
- Números de parte Timken "NP"
 - Diseño patentado
 - Superficies mejoradas
 - Mayor precisión en la geometría interna del rodamiento
 - Supera los estándares de la industria
 - La reparación con partes NP le asegura la obtención de todas las ventajas que fueron diseñadas para equipo original en mazas preajustadas de servicio pesado

Espaciador de conos maquinado a precisión

- Diseñados para las demandantes aplicaciones de las ruedas de equipos de servicio pesado
- Fabricados con una aleación de alta resistencia
- Fabricados para tolerancias precisas
- Combinados con rodamientos con tolerancias precisas y mazas especiales, se elimina la necesidad del ajuste manual de los rodamientos

Comprobamos nuestro liderazgo

Para hacer más fácil y conveniente la reparación de las mazas, ahora Timken ofrece los kits Set-Right® para reparación de mazas de servicio pesado, que incluyen dos juegos MileMate de Timken (juegos de rodamientos hechos en Norteamérica) y un espaciador de precisión de equipo original.

El uso de nuestros rodamientos de tolerancia especial, en conjunto con un espaciador maquinado a precisión de EO, le permite lograr el juego lateral axial apropiado para el rodamiento de la rueda, sin necesidad de realizar el ajuste manual del rodamiento. La consistencia del ajuste ofrece una optimizada vida útil tanto al retén como al rodamiento y ayuda a reducir costos en el combustible de las flotas.

Comprendemos lo que la industria de servicio pesado exige en el desempeño de los rodamientos, por ello ofrecemos productos de calidad que le ayuden a las flotas a operar de forma más rentable y efectiva. De hecho, si observa al interior de sus ruedas, seguramente encontrará allí rodamientos Timken. ¿Por qué no reemplazarlos con los originales? Elija al líder comprobado.

Timken es adonde usted acude para obtener juegos de rodamientos para ruedas y la garantía de que sus rodamientos estarán bien ajustados porque son Set-Right.

Kits Set-Right: la selección correcta

- Permiten que el armado de los extremos de rueda sea más rápido y confiable; mayor tiempo productivo
- Menos componentes; reducen el inventario
- Optimizan el rendimiento y la vida útil de los retenes
- Eliminan el ajuste manual, una de las principales causas de los problemas en los extremos de las ruedas

Timken Technology

A mediados de los setenta, los ingenieros de Timken desarrollaron el método de ajuste Set-Right para optimizar el desempeño de los rodamientos. A mediados de los noventa, en conjunto con el líder en innovación de mazas de servicio pesado, se lanzó la tecnología de rodamientos preajustados al mercado norteamericano. Los rodamientos usados en estas aplicaciones se

conocen como rodamientos con tolerancia de ancho reducida; tienen la mitad de la tolerancia del ancho de los rodamientos estándar. Esto significa que la tolerancia es doblemente estricta (ver diagrama en la parte posterior). Timken ha suministrado estos rodamientos a la industria norteamericana para los equipos más populares de servicio pesado desde 1995.

Kit Set-Right® y componentes para reparación de mazas de servicio pesado

FFTC1 - FF Kit para dirección			
Contenido del kit	N/P MileMate®	N/P de componentes	Cantidad
Cono interior NP de tolerancia especial	SET427*	NP899357	1
Taza interior NP de tolerancia especial		NP026773	1
Cono exterior NP de tolerancia especial	SET428*	NP874005	1
Taza exterior NP de tolerancia especial		NP435398	1
Espaciador **			1

TNTC1 - N Kit para remolque			
Contenido del kit	N/P MileMate®	N/P de componentes	Cantidad
Cono interior NP de tolerancia especial	SET431*	NP965350	1
Taza interior NP de tolerancia especial		NP503727	1
Cono exterior NP de tolerancia especial	SET427*	NP899357	1
Taza exterior NP de tolerancia especial		NP026773	1
Espaciador **			1

FLTC1 - FL Kit para dirección			
Contenido del kit	N/P MileMate®	N/P de componentes	Cantidad
Cono interior NP de tolerancia especial	SET445*	NP294109	1
Taza interior NP de tolerancia especial		NP039695	1
Cono exterior NP de tolerancia especial	SET446*	NP107091	1
Taza exterior NP de tolerancia especial		NP183330	1
Espaciador **			1

TNTC2 - 454-Series N Kit para remolque			
Contenido del kit	N/P MileMate®	N/P de componentes	Cantidad
Cono interior NP de tolerancia especial	SET602*	NP454350	1
Taza interior NP de tolerancia especial		NP454727	1
Cono exterior NP de tolerancia especial	SET603*	NP454357	1
Taza exterior NP de tolerancia especial		NP454773	1
Espaciador **			1

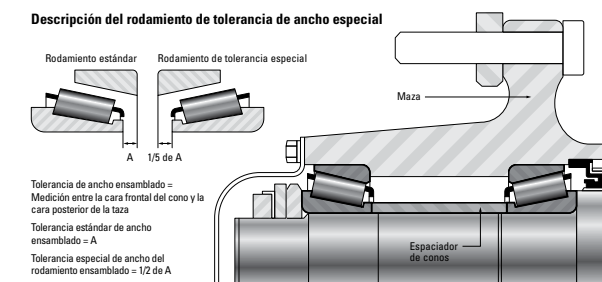
RDTC1 - R Kit para transmisión			
Contenido del kit	N/P MileMate®	N/P de componentes	Cantidad
Cono interior NP de tolerancia especial	SET429*	NP034946	1
Taza interior NP de tolerancia especial		NP363298	1
Cono exterior NP de tolerancia especial	SET430*	NP840302	1
Taza exterior NP de tolerancia especial		NP053874	1
Espaciador **			1

TPTC1 - P Kit para remolque			
Contenido del kit	N/P MileMate®	N/P de componentes	Cantidad
Cono NP de tolerancia especial	SET432*	NP174964	2
Taza NP de tolerancia especial		NP593561	2
Espaciador **			1

RDTC2 - 454-Series R Kit para transmisión			
Contenido del kit	N/P MileMate®	N/P de componentes	Cantidad
Cono interior NP de tolerancia especial	SET600*	NP454946	1
Taza interior NP de tolerancia especial		NP454298	1
Cono exterior NP de tolerancia especial	SET601*	NP454302	1
Taza exterior NP de tolerancia especial		NP454874	1
Espaciador **			1

TPTC2 - 454-Series P Kit para remolque			
Contenido del kit	N/P MileMate®	N/P de componentes	Cantidad
Cono NP de tolerancia especial	SET604*	NP454964	2
Taza NP de tolerancia especial		NP454561	2
Espaciador **			1

* Incluyen números de parte de Timken.
** El espaciador no se vende por separado



PRECAUCIÓN

Antes de reparar o reconstruir su extremo de rueda preajustado actual, debe seleccionar la maza adecuada. Las mazas diseñadas para usarse con los kits Set-Right tienen una tolerancia interna especial que les permite alcanzar el rendimiento máximo. Ante cualquier duda, comuníquese con su proveedor de mazas. El uso de una maza de tolerancia estándar creará un rango de ajuste indeseable que puede dañar el componente.

HEAVY-DUTY BEARING GUIDE TOOLS

Axle	Bearing Cone No.	Bearing Centering Guide No.	Possible Oil Bath Seal Part No.
D	495AX	BCT8	848, 849
S	557A	BCT3	847
T	575	BCT8	850
T or D	580	BCT10	850, 856
D	582	BCT10	856
T	593	BCT12	851
D	594	BCT15	858, 861
D	594A	BCT15	858, 860, 861
D	595	BCT10	854, 861
D	598	BCT14	854, 861
D	598A	BCT14	849, 854, 858, 860, 861
S	641	BCT06	855, 857
T or D	663	BCT10	850, 852, 853
T or D	665	BCT11	852, 853
D	759	BCT12	858
D	5760	BCT08	849
D	33287	BCT07	848
S	39581	BCT02	847
D	47678	BCT08	849
D	47686	BCT10	848, 849
S	HM212044	BCT03	847
S	HM212047	BCT04	847
S	HM212049	BCT06	847, 855
T	HM218248	BCT13	859
D	HM516449	BCT10	852
T	HM518445	BCT12	851
S	H715345	BCT16	855, 857
S	6461A	BCT08	863

INTERCHANGE - GREASE SEALS TO OIL BATH SEALS

Grease Seals to Oil Bath Seals		Oil Bath Seals to Grease Seals	
Seal Number	National Number	National Number	Seal Number
2674	370054A	370001A	6638S
5473	370004A	370002A	9339S
5481	370003A	370003A	5481
5495	370006A	370004A	5473
6270	370008A	370006A	5495
6584S	370018A	370007A	7866S
6635S	370030A	370008A	6270
6638S	370001A	370009A	417506
7866S	370007A	370010A	417134
8872	370182A	370011A	416125
8976S	370145A	370014A	417172
9128S	370106A	370015A	416130
9339S	370002A	370018A	6584S
9864S	370150A	370019A	415060
415058	370031A	370020A	455209
415060	370019A	370021A	455062
415371	370022A	370022A	415371
416125	370011A	370024A	417505
416130	370015A	370025A	455211
416297	370046A	370028A	455070
417134	370010A	370029A	455022
417172	370014A	370030A	6635S
417505	370024A	370031A	415058
417506	370009A	370046A	416297
417530	370124A	370047A	455858
417531	370131A	370054A	2674
455022	370029A	370066A	455513
455062	370021A	370106A	9128S
455070	370028A	370124A	417530
455200	370178A	370131A	417531
455209	370020A	370145A	8976S
455211	370025A	370150A	9864S
455513	370066A	370165A	455958
455858	370047A	370178A	455200
455958	370165A	370182A	8872

HEAVY-DUTY WHEEL SEAL INTERCHANGE LIST

Axle	Seal	Adapter Plate	Bearing Centering Guide	SKF Scotseal	SKF Scotseal Plus	SKF Scotseal Plus XL	FM National	FM National 5-Star	Stemco Grit Guard	Stemco Guardian	Stemco Voyager	Stemco Discover
Steer	TKR847*	847T	BCT6	35066	35059	35058	370001A	380001A	382-8036	308-0836	383-0136	383-0236
Drive	TKR848	848T	BCT10	38750	38748		370024A		392-9099	309-0915	393-0115	
Drive	TKR849	849T	BCT10	38780	38779	38776	370023A	380023A	392-9099	309-0912	393-0112	393-0212
Trailer	TKR850	850T	BCT10	40136	40133	40129	370036A	380036A	372-7098	307-0713	373-0113	373-0213
Trailer	TKR851*	851T	BCT12	42623	42622	42627	370065A 376590A	380065A	372-7099	307-0723	373-0123	373-0223
Drive	TKR852	852T	BCT10	42672	42671	42673	370031A	380031A	392-9130	309-0904	393-0104	393-0204
Trailer	TKR853	853T	BCT11	43752	43753	43754	370037A		372-7095	307-0744	373-0144	
Drive	TKR854	854T	BCT14	43860	43861		370019A		392-9096	309-0965		
Steer	TKR855	855T	BCT6	44922	44919	44916	370124A		382-8053	308-0853	383-0153	
Drive	TKR856	856T	BCT10	45099	45097	45093	370022A	380022A	392-9094	309-0903	393-0103	393-0203
Steer	TKR857	857T	BCT16	45103	45102	45095	370131A	380131A	382-8056	308-0856	383-0156	
Drive	TKR858	858T	BCT15	45160	45158	45157	370021A		392-9088	309-0964		
Trailer	TKR859*	859T	BCT13	46305	46304	46300	370025A	380025A	372-7097	307-0743	373-0143	373-0243
Drive	TKR860	860T	BCT14	48000	48001	48002	370005A		392-9081	309-0960		
Drive	TKR861*	861T	BCT15	47697	47695	47692	370003A	380003A	392-9131	309-0973	393-0173	393-0273
Steer	TKR863	863T	BCT8	43764	43763	43761	370048A	380048A	382-8064	308-0864	383-0164	383-0264

* PH Wheel Seal

DRIVELINE CENTER SUPPORT BEARINGS

Interchangeability, Quality, Durability, Decreased Costs

Driveline Center Support Bearings For:

- Light duty pick-ups
- Light duty vans
- Mid-size trucks
- School buses
- Heavy duty highway vehicles



Now you can get Driveline Center Support Bearings through The Timken Company – interchangeable with all major truck applications.

Cross Reference						
Timken Part Number	DT Components Part Number	Dana-Spicer Part Number	Federal Mogul Part Number	Meritor Part Number	NEAPCO Part Number	SKF Part Number
HB206FF	HB210527-X	210527-X	HB206-FF	CB210527-X	210527-X	HB206-FF
HB88107B	HB210088-1X	210088-1X	HB88107-B	CB210088-1X	210088-1X	HB88107-B
HB88107C	HB210090-1X	210090-1X	HB88107-C	CB210090-1X	210090-1X	HB88107-C
HB88107D	HB210367-1X	210367-1X	HB88107-D	CB210367-1X	210367-1X	HB88107-D
HB88107E	HB210370-1X	210370-1X	HB88107-E	CB210370-1X	210370-1X	HB88107-E
HB88508AB	HB210866-1X	210866-1X	HB88508-AB	CB210866-1X	210866-1X	HB88508-AB
HB88508B	HB210433-1X	210433-1X	HB88508-B	CB210433-1X	210433-1X	HB88508-B
HB88508C	HB210140-1X	210140-1X	HB88508-C	CB210140-1X	210140-1X	HB88508-C
HB88508D	HB210144-1X	210144-1X	HB88508-D	CB210144-1X	210144-1X	HB88508-D
HB88508E	HB210391-1X	210391-1X	HB88508-E	CB210391-1X	210391-1X	HB88508-E
HB88509A	HB210084-2X	210084-2X	HM88509-A	CB210084-2X	210084-2X	HB88509-A
HB88509C	HB210207-1X	210207-1X	HB88509-C	CB210207-1X	210207-1X	HB88509-C
HB88510	HB210121-1X	210121-1X	HB88510	CB210121-1X	210121-1X	HB88510
HB88510S	HB210881-1X	210881-1X	HB88510-S	CB210881-1X	210881-1X	HB88510-S
HB88512AHD	HB210661-1X	210661-1X	HB88512-AHD	CB210661-1X	210661-1X	HB88512-A
HB88512ASHD	HB210875-1X	210875-1X	HB88512-AS	CB210875-1X	210875-1X	HB88512-AS

MILEMATE®

ONE SIMPLE GOAL: Keep Your Trucks Up and Moving

Timken® MileMate® sets – the original matched wheel bearing sets – are designed to keep your trucks up and moving. Our 44 matched cup and cone sets are built for superior results and less downtime. When you use the original MileMate sets from Timken, you know you’re getting bearing sets specifically designed for your application that meet or exceed the original equipment manufacturer’s specifications. This includes the ConMet® PreSet® and Spicer® LMS™, as well as the new wide single tire applications.



Features

- Made from quality Timken certified steel
- Perfectly matched sets for correct installation every time
- Original equipment technology

Benefits

- Matched sets mean less inventory and the bearing parts in one box to perform the job
- Lengthens maintenance intervals
- Optimizes bearing performance
- Allows bearings to carry evenly distributed loads
- Original equipment on ConMet PreSet and Spicer LMS enhances performance

Timken Proprietary “NP” Part Numbers

Meeting the growing original and aftermarket performance demands.

Features

- Enhanced surfaces
- Proprietary Timken design
- More precise internal bearing geometry
- Exceed industry standards

Benefits

- Designed to provide longer life and reliability
- Many heavy-duty, pre-adjusted hubs are serviceable such as ConMet PreSet and Spicer LMS
- Rebuilding with Timken proprietary parts ensures you get all the advantages that were originally engineered into the heavy-duty, pre-adjusted hub systems
- Specifically designed to handle the 2” outset loads found in wide single tire configurations

Timken Set Number	Timken Part Number	Common Application Description	Timken Set Number	Timken Part Number	Common Application Description
Manually Adjusted Wheel Ends					
SET401	580, 572	Industry Standard R Drive Axle Outer Bearing	SET430*	NP840302, NP053874	Set-Right R Drive Axle Outer Bearing (ConMet PreSet)
SET402	582, 572	Potential R Drive Axle Outer Bearing (Mack Special Radius)	SET431*	NP965350, NP503727	Set-Right N Trailer Axle Inner Bearing (ConMet PreSet)
SET403	594A, 592A	Industry Standard R Drive Axle Inner Bearing	SET432*	NP174964, NP593561	Set-Right P Trailer Axle Inner and Outer Bearing (ConMet PreSet)
SET404	598A, 592A	Potential R Drive Axle Inner Bearing (Mack Special Radius)	SET433*	NP431952, NP378092	Set-Right FF Steer Axle Inner Bearing / Set-Right N Trailer Axle Outer Bearing (Dana LMS)
SET405	663, 653	Trailer Axle Inner Bearing / Potential Rear (drive or trailer) Axle Outer Bearing	SET434*	NP555065, NP720703	Set-Right FF Steer Axle Outer Bearing (Dana LMS)
SET406	3782, 3720	Industry Standard FF Steer Axle Outer Bearing	SET435*	NP568900, NP107783	Set-Right R Drive Axle Inner Bearing (Dana LMS)
SET407	28682, 28622	Rear Axle Inner Bearing / Front Steer Axle Outer Bearing	SET436*	NP577914, NP975161	Set-Right R Drive Axle Outer Bearing (Dana LMS)
SET408	39590, 39520	Industry Standard L Drive Axle Outer Bearing	SET437*	NP022333, NP250023	Set-Right N Trailer Axle Inner Bearing (Dana LMS)
SET409	45280, 45220	Front Steer Axle Outer Bearing (Mack)	SET438*	NP417549, NP156827	Set-Right P Trailer Axle Inner and Outer Bearing (Dana LMS)
SET410	45284, 45220	Front Steer Axle Inner Bearing	SET439	HM212049X, HM212011	FF Steer Axle Inner Bearing (Volvo Special Radius)
SET411	47686, 47620	Industry Standard L Drive Axle Inner Bearing	SET445*	NP294109, NP039695	Timken Set-Right FL Steer Axle Inner Bearing (ConMet PreSet)
SET412	HM212047, HM212011	Potential FF Steer Axle Inner Bearing / Potential N Trailer Axle Outer Bearing (bore and radius change)	SET446*	NP107091, NP183330	Timken Set-Right FL Steer Axle Outer Bearing (ConMet PreSet)
Manually Adjusted / 454-Series for Wide Single Tires					
SET413	HM212049, HM212011	Industry Standard FF Steer Axle Inner Bearing / Industry Standard N Trailer Axle Outer Bearing	SET440*	NP454049, NP454011	Timken 454-Series FF Steer Axle Inner Bearing / Timken 454-Series N Trailer Axle Outer Bearing
SET414	HM218248, HM218210	Industry Standard N Trailer Axle Inner Bearing	SET441*	NP454248, NP454210	Timken 454-Series N Trailer Axle Inner Bearing
SET415	HM518445, HM518410	Industry Standard P Trailer Axle Inner and Outer Bearing	SET442*	NP454580, NP454572	Timken 454-Series R Drive Axle Outer Bearing
SET416	45291, 45220	Trailer Axle Bearing	SET443*	NP454594, NP454592	Timken 454-Series R Drive Axle Inner Bearing
SET417	47890, 47820	Trailer Axle Bearing	SET444*	NP454445, NP454410	Timken 454-Series P Trailer Axle Inner and Outer Bearing
SET418	H715334, H715311	Front Steer Axle Inner Bearing	Pre-Adjusted / 454-Series for Wide Single Tires		
SET419	H715343, H715311	Front Steer Axle Inner Bearing	SET600*	NP454946, NP454298	Timken 454-Series Set-Right R Drive Axle Inner Bearing
SET420	H715345, H715311	Front Steer Axle Inner Bearing	SET601*	NP454302, NP454874	Timken 454-Series Set-Right R Drive Axle Outer Bearing
SET421	HM516449A, HM516410	Rear Axle Inner Bearing (Mack)	SET602*	NP454350, NP454727	Timken 454-Series Set-Right N Trailer Axle Inner Bearing
SET422	HM516449C, HM516410	Rear Axle Inner Bearing (Mack)	SET603*	NP454357, NP454773	Timken 454-Series Set-Right FF Steer Axle Inner Bearing / Timken 454-Series Set-Right N Trailer Axle Outer Bearing
SET423	6461A, 6420	Industry Standard FL Steer Axle Inner Bearing	SET604*	NP454964, NP454561	Timken 454-Series Set-Right P Trailer Axle Inner and Outer Bearing
SET424	555-S, 552A	Industry Standard FL Steer Axle Outer Bearing	Pre-Adjusted Wheel Ends		
SET425	567, 563	Front Steer Axle Inner Bearing / Trailer Axle Inner Bearing / Rear Axle Outer Bearing (Mack)	SET427*	NP899357, NP026773	Set-Right FF Steer Axle Inner Bearing / Set-Right N Trailer Axle Outer Bearing (ConMet PreSet)
SET426	47679, 47620	Rear Axle Outer Bearing (Mack)	SET428*	NP874005, NP435398	Set-Right FF Steer Axle Outer Bearing (ConMet PreSet)
			SET429*	NP034946, NP363298	Set-Right R Drive Axle Inner Bearing (ConMet PreSet)

* Includes proprietary Timken part numbers

MILEMATE®: FRENCH CANADIAN

UN OBJECTIF TRÈS SIMPLE : Conserver vos camions en état de fonctionnement et sur la route

Les ensembles Timken® MileMate®, les originaux correspondaient aux roulements de roues, sont conçus pour que vos camions continuent de fonctionner. Nos 44 ensembles de cuvettes et de cônes appariés sont fabriqués afin d'obtenir des résultats supérieurs et moins de durée d'immobilisation. Lorsque vous utilisez les ensembles d'origine MileMate de Timken, vous savez que vous allez bénéficier de roulements spécifiquement conçus pour votre application et qui correspondront, voire dépasseront, les spécifications du fabricant d'origine de l'équipement. Ceci inclut les ConMet® PreSet® et Spicer® LMS™ ainsi que les nouvelles applications du pneu unique de grande largeur.



Caractéristiques

- Fabrication à partir d'un acier de qualité certifié Timken
- Ensembles parfaitement appariés pour une installation correcte à chaque fois
- Technologies de l'équipement d'origine

Avantages

- Les ensembles appariés signifient moins d'inventaire et toutes les pièces d'un roulement dans un seul carton pour réaliser le travail
- Allongement des intervalles de maintenance
- Optimisation des performances des roulements
- Permettent aux roulements de supporter régulièrement les charges réparties
- L'équipement d'origine sur ConMet PreSet et Spicer LMS améliore les performances

Références « NP » exclusives à Timken

Nous répondons aux demandes croissantes de performances aussi bien pour le marché des pièces de rechange que pour celui des pièces d'origine.

Caractéristiques

- Surfaces améliorées
- Conception Timken exclusive
- Plus grande précision de la géométrie interne des roulements
- Qualité supérieure aux normes dans le domaine

Avantages

- Conçus pour offrir fiabilité et une plus grande durée d'utilisation
- De nombreux moyeux de qualité industrielle et pré-réglés tels que ConMet PreSet et Spicer LMS sont réparables
- La reconstruction avec les pièces exclusives Timken vous donne l'assurance d'obtenir tous les avantages des pièces d'origine dans les systèmes de moyeux de qualité industrielle et pré-réglés
- Spécifiquement conçus pour supporter des charges de départ de 2 po que l'on trouve dans les configurations à pneu unique de grande largeur

Nombre défini Timken	Désignation des références Timken	Description des applications les plus communes	Nombre défini Timken	Désignation des références Timken	Description des applications les plus communes
Extrémité de roues réglées manuellement					
SET401	580, 572	Roulement externe d'essieu moteur à rouleaux aux normes industrielles	SET429*	NP034946, NP363298	Roulement interne d'essieu moteur à rouleaux Set-Right (ConMet PreSet)
SET402	582, 572	Roulement externe d'essieu moteur à rouleaux potentiel (rayon spécial Mack)	SET430*	NP840302, NP053874	Roulement externe d'essieu moteur à rouleaux Set-Right (ConMet PreSet)
SET403	594A, 592A	Roulement interne d'essieu moteur à rouleaux aux normes industrielles	SET431*	NP965350, NP503727	Roulement interne d'essieu de remorque à aiguilles Set-Right (ConMet PreSet)
SET404	598A, 592A	Roulement interne d'essieu moteur à rouleaux potentiel (rayon spécial Mack)	SET432*	NP174964, NP593561	Roulements externes et internes d'essieu de remorque P Set-Right (ConMet PreSet)
SET405	663, 653	Roulement interne d'essieu de remorque/Roulement externe d'essieu arrière potentiel (moteur ou remorque)	SET433*	NP431952, NP378092	Roulement interne d'essieu de direction tout flottant Set-Right/Roulement externe d'essieu de remorque à aiguilles Set-Right (Dana LMS)
SET406	3782, 3720	Roulement externe d'essieu de direction tout flottant aux normes industrielles	SET434*	NP555065, NP720703	Roulement externe d'essieu de direction tout flottant Set-Right (Dana LMS)
SET407	28682, 28622	Roulement interne d'essieu arrière/Roulement externe d'essieu de direction avant	SET435*	NP568900, NP107783	Roulement interne d'essieu moteur à rouleaux Set-Right (Dana LMS)
SET408	39590, 39520	Roulement interne d'essieu moteur L aux normes industrielles	SET436*	NP577914, NP975161	Roulement externe d'essieu moteur à rouleaux Set-Right (Dana LMS)
SET409	45280, 45220	Roulement externe d'essieu de direction (Mack)	SET437*	NP022333, NP250023	Roulement interne d'essieu de remorque à aiguilles Set-Right (Dana LMS)
SET410	45284, 45220	Roulement interne d'essieu de direction avant	SET438*	NP417549, NP156827	Roulements externes et internes d'essieu de remorque P Set-Right (Dana LMS)
SET411	47686, 47620	Roulement interne d'essieu moteur L aux normes industrielles	SET439	HM212049X, HM212011	Roulement interne d'essieu de direction tout flottant (rayon spécial Volvo)
SET412	HM212047, HM212011	Roulement interne d'essieu de direction tout flottant potentiel/Roulement externe d'essieu de remorque (modification du rayon et de l'alésage)	SET445*	NP294109, NP039695	Roulement interne d'essieu de direction FL Timken Set-Right (ConMet PreSet)
SET413	HM212049, HM212011	Roulement interne d'essieu de direction tout flottant aux normes industrielles/Roulement externe d'essieu à aiguilles aux normes industrielles	SET446*	NP107091, NP183330	Roulement externe d'essieu de direction FL Timken Set-Right (ConMet PreSet)
SET414	HM218248, HM218210	Roulement interne d'essieu de remorque à aiguilles aux normes industrielles	Réglés manuellement/Série 454 pour les pneus uniques de grande largeur		
SET415	HM518445, HM518410	Roulements externes et internes d'essieu de remorque P aux normes industrielles	SET440*	NP454049, NP454011	Roulement interne d'essieu de direction tout flottant Timken de la série 454/Roulement externe d'essieu de remorque à aiguilles Timken de la série 454
SET416	45291, 45220	Roulement d'essieu de remorque	SET441*	NP454248, NP454210	Roulement interne d'essieu de remorque à aiguilles Timken de la série 454
SET417	47890, 47820	Roulement interne d'essieu de direction avant	SET442*	NP454580, NP454572	Roulement externe d'essieu moteur à rouleaux Timken de la série 454
SET418	H715334, H715311	Roulement interne d'essieu arrière (Mack)	SET443*	NP454594, NP454592	Roulement interne d'essieu moteur à rouleaux Timken de la série 454
SET419	H715343, H715311	Roulement interne d'essieu de direction FL aux normes industrielles	SET444*	NP454445, NP454410	Roulements externes et internes d'essieu de remorque P Timken de la série 454
SET420	H715345, H715311	Roulement externe d'essieu de direction FL aux normes industrielles	Pré-réglés/Série 454 pour les pneus uniques de grande largeur		
SET421	HM516449A, HM516410	Roulement interne d'essieu de direction avant/Roulement interne d'essieu de remorque/Roulement externe d'essieu arrière (Mack)	SET600*	NP454946, NP454298	Roulement interne d'essieu moteur à rouleaux Timken de la série 454 Set-Right
SET422	HM516449C, HM516410	Roulement externe d'essieu arrière (Mack)	SET601*	NP454302, NP454874	Roulement externe d'essieu moteur à rouleaux Timken de la série 454 Set-Right
SET423	6461A, 6420	Industry Standard FL Steer Axle Inner Bearing	SET602*	NP454350, NP454727	Roulement interne d'essieu de remorque à aiguilles Timken de la série 454 Set-Right
SET424	555-S, 552A	Industry Standard FL Steer Axle Outer Bearing	SET603*	NP454357, NP454773	Roulement interne d'essieu de direction tout flottant Timken de la série 454 Set-Right/Roulement externe d'essieu de remorque à aiguilles Timken de la série 454 Set-Right
SET425	567, 563	Front Steer Axle Inner Bearing / Trailer Axle Inner Bearing / Rear Axle Outer Bearing (Mack)	SET604*	NP454964, NP454561	Roulements externes et internes d'essieu de remorque P Timken de la série 454 Set-Right
SET426	47679, 47620	Rear Axle Outer Bearing (Mack)	Extrémité de roues pré-réglées		
SET427*	NP899357, NP026773	Roulement interne d'essieu de direction tout flottant Set-Right/Roulement externe d'essieu de remorque à aiguilles Set-Right (ConMet PreSet)			
SET428*	NP874005, NP435398	Roulement externe d'essieu de direction tout flottant Set-Right (ConMet PreSet)			

* Comprend les références exclusives Timken

MILEMATE®: SPANISH

UN OBJETIVO SIMPLE: Mantener a sus camiones en movimiento

Los juegos originales de rodamientos para pares de ruedas Timken® MileMate® están diseñados para mantener a sus camiones en movimiento. Nuestros 44 juegos de taza y cono están contruidos para lograr el mejor resultado y el menor tiempo de inactividad. Cuando utiliza los juegos originales MileMate de Timken, usted sabe que está obteniendo juegos de rodamientos especialmente diseñados para su aplicación, que cumplen o superan las especificaciones del fabricante de equipo original. Esto incluye ConMet® PreSet® y Spicer® LMST™, y las nuevas aplicaciones para rodada sencilla ancha.



Características

- Fabricados con acero de calidad certificado por Timken.
- Juegos que encajan perfectamente para lograr siempre una instalación correcta.
- Tecnología de equipo original.

Beneficios

- Los juegos perfectos implican menor inventario y se tienen ambas partes en una misma caja para hacer el trabajo.
- Prolongan los intervalos de mantenimiento.
- Optimizan el rendimiento de los rodamientos.
- Le permiten al rodamiento soportar cargas distribuidas de manera uniforme.
- Mejoran el rendimiento de equipos originales con ConMet PreSet y Spicer LMS.

Números de parte "NP" de Timken

Cumplimos con la creciente demanda de productos originales de alto rendimiento y de productos destinados al mercado de repuesto.

Características

- Superficies mejoradas.
- Diseño patentado de Timken.
- Mayor precisión en la geometría interna del rodamiento.
- Superan los estándares de la industria.

Beneficios

- Diseñados para proporcionar mayor durabilidad y confiabilidad.
- Varios mazas preajustados de servicio pesado se pueden utilizar como ConMet PreSet y Spicer LMS.
- La reconstrucción con partes de Timken le asegura contar con todas las ventajas con que fueron diseñadas originalmente para las mazas preajustadas
- de servicio pesado.
- Diseñados especialmente para soportar las cargas de configuraciones de rodada sencilla ancha con 5,08 cm (2 in) fuera del centro de la rueda.

Número de SET de Timken	Número de parte de Timken	Descripción de la aplicación común	Número de SET de Timken	Número de parte de Timken	Descripción de la aplicación común
Extremos de ruedas ajustados manualmente					
SET401	580, 572	Rodamiento exterior del eje de la transmisión R estándar de la industria	SET429*	NP034946, NP363298	Rodamiento interior del eje de la transmisión R Set-Right (ConMet PreSet)
SET402	582, 572	Rodamiento exterior del eje de la transmisión R potencial (Radio especial Mack)	SET430*	NP840302, NP053874	Rodamiento exterior del eje de la transmisión R Set-Right (ConMet PreSet)
SET403	594A, 592A	Rodamiento interior del eje de la transmisión R estándar de la industria	SET431*	NP965350, NP503727	Rodamiento interior del eje del remolque N Set-Right (ConMet PreSet)
SET404	598A, 592A	Rodamiento interior del eje de la transmisión R potencial (Radio especial Mack)	SET432*	NP174964, NP593561	Rodamiento interior y exterior del eje del remolque P Set-Right (ConMet PreSet)
SET405	663, 653	Rodamiento interior del eje del remolque/rodamiento exterior del eje trasero (transmisión o remolque) potencial	SET433*	NP431952, NP378092	Rodamiento interior del eje de la dirección FF Set-Right/rodamiento exterior del eje del remolque N Set-Right (Dana LMS)
SET406	3782, 3720	Rodamiento exterior del eje de la dirección FF estándar de la industria	SET434*	NP555065, NP720703	Rodamiento exterior del eje de la dirección FF Set-Right (Dana LMS)
SET407	28682, 28622	Rodamiento interior del eje trasero/rodamiento exterior del eje delantero de la dirección	SET435*	NP568900, NP107783	Rodamiento interior del eje de la transmisión R Set-Right (Dana LMS)
SET408	39590, 39520	Rodamiento exterior del eje de la transmisión L estándar de la industria	SET436*	NP577914, NP975161	Rodamiento exterior del eje de la transmisión R Set-Right (Dana LMS)
SET409	45280, 45220	Rodamiento exterior del eje delantero de la dirección (Mack)	SET437*	NP022333, NP250023	Rodamiento interior del eje del remolque N Set-Right (Dana LMS)
SET410	45284, 45220	Rodamiento interior del eje delantero de la dirección	SET438*	NP417549, NP156827	Rodamiento interior y exterior del eje del remolque P Set-Right (Dana LMS)
SET411	47686, 47620	Rodamiento interior del eje de la transmisión L estándar de la industria	SET439	HM212049X, HM212011	Rodamiento interior del eje de la dirección FF (Volvo radio especial)
SET412	HM212047, HM212011	Rodamiento interior del eje de la dirección FF potencial/rodamiento exterior del eje del remolque N potencial (cambio de maza y radio)	SET445*	NP294109, NP039695	Rodamiento interior del eje de la dirección FL Timken Set-Right (ConMet PreSet)
SET413	HM212049, HM212011	Rodamiento interior del eje de la dirección FF estándar de la industria/rodamiento exterior del eje del remolque N estándar de la industria	SET446*	NP107091, NP183330	Rodamiento exterior del eje de la dirección FL Timken Set-Right (ConMet PreSet)
SET414	HM218248, HM218210	Rodamiento interior del eje del remolque N estándar de la industria	Ajustados manualmente/454-Series para rodada sencilla ancha		
SET415	HM518445, HM518410	Rodamiento interior y exterior del eje del remolque P estándar de la industria	SET440*	NP454049, NP454011	Rodamiento interior del eje de la dirección FF Timken 454-Series/rodamiento exterior del eje del remolque N Timken 454-Series
SET416	45291, 45220	Rodamiento del eje del remolque	SET441*	NP454248, NP454210	Rodamiento interior del eje del remolque N Timken 454-Series
SET417	47890, 47820	Rodamiento interior del eje delantero de la dirección	SET442*	NP454580, NP454572	Rodamiento exterior del eje de la transmisión R Timken 454-Series
SET418	H715334, H715311	Rodamiento interior del eje trasero (Mack)	SET443*	NP454594, NP454592	Rodamiento interior del eje de la transmisión R Timken 454-Series
SET419	H715343, H715311	Rodamiento interior del eje de la dirección FL estándar de la industria	SET444*	NP454445, NP454410	Rodamiento interior y exterior del eje del remolque P Timken 454-Series
SET420	H715345, H715311	Rodamiento exterior del eje de la dirección FL estándar de la industria	Preajustados/454-Series para rodada sencilla ancha		
SET421	HM516449A, HM516410	Rodamiento interior del eje delantero de la dirección/rodamiento interior del eje del remolque/rodamiento exterior del eje trasero (Mack)	SET600*	NP454946, NP454298	Rodamiento interior del eje de la transmisión R Timken 454-Series Set-Right
SET422	HM516449C, HM516410	Rodamiento exterior del eje trasero (Mack)	SET601*	NP454302, NP454874	Rodamiento exterior del eje de la transmisión R Timken 454-Series Set-Right
SET423	6461A, 6420	Rodamiento interior del eje de la dirección FL estándar de la industria	SET602*	NP454350, NP454727	Rodamiento interior del eje del remolque N Timken 454-Series Set-Right
SET424	555-S, 552A	Rodamiento exterior del eje de la dirección FL estándar de la industria	SET603*	NP454357, NP454773	Rodamiento interior del eje de la dirección FF Timken 454-Series Set-Right/rodamiento exterior del eje del remolque N Timken 454-Series Set-Right
SET425	567, 563	Rodamiento interior del eje delantero de la dirección/rodamiento interior del eje del remolque/rodamiento exterior del eje (Mack)	SET604*	NP454964, NP454561	Rodamiento interior y exterior del eje del remolque P Timken 454-Series Set-Right
SET426	47679, 47620	Rodamiento exterior del eje trasero (Mack)	Extremos de ruedas preajustados		
SET427*	NP899357, NP026773	Rodamiento interior del eje de la dirección FF Set-Right/rodamiento exterior del eje del remolque N Set-Right (ConMet PreSet)			
SET428*	NP874005, NP435398	Rodamiento exterior del eje de la dirección FF Set-Right (ConMet PreSet)			

* Incluyen números de parte de Timken.

TIMKEN® 454-SERIES WHEEL BEARINGS FOR COMMERCIAL VEHICLES

Bearings for dual tires and wide single tires

- Specially designed to handle the 2-inch outset loads
- Allows consistency within fleets
- Provides flexibility of wheel arrangements

Compatible with industry-standard components

- Use with popular axle and hub designs
- Can retrofit into existing equipment

Designed to improve bearing life

- Highly-engineered internal raceway profiles for optimal stress distribution
- Proprietary enhanced surface finishes

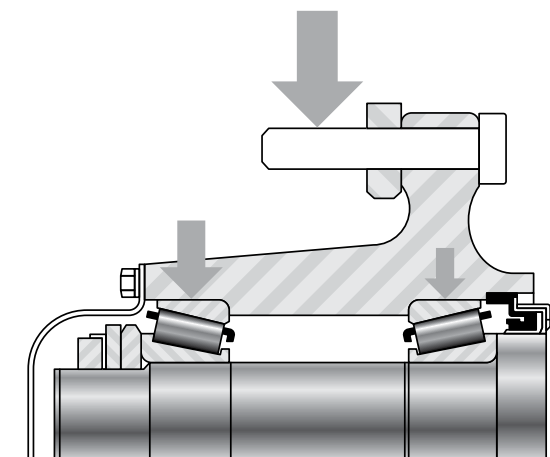
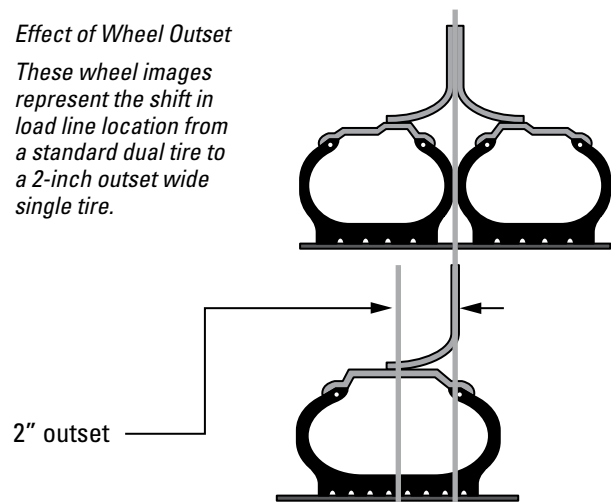
At Timken, we recognize the need of commercial vehicle customers to conserve fuel, carry greater loads, standardize components and maximize uptime. These are the driving factors behind Timken® 454-Series wheel bearings. These bearings are geared toward helping your fleet operate more efficiently and cost effectively.

Our 454-Series wheel bearings deliver tomorrow's high-performance wheel-end technology today.

For additional information, contact your Timken sales representative or our dedicated team of automotive and heavy-duty customer service representatives at: phone (866) 9-TIMKEN (984-6536), or fax (877) TIMKEN-9 (846-5369).

Effect of Wheel Outset

These wheel images represent the shift in load line location from a standard dual tire to a 2-inch outset wide single tire.



This wheel-end cross section represents the increased loading present on the outer bearing, when using a wide single tire.

Application	Manual Adjusted			Pre-Adjusted			
	Cone	Cup	MileMate® Set	Cone	Cup	MileMate® Set	Kit**
R Drive Inner	NP454594	NP454592	SET443*	NP454946	NP454298	SET600*	RDTC2
R Drive Outer	NP454580	NP454572	SET442*	NP454302	NP454874	SET601*	
N Trailer Inner	NP454248	NP454210	SET441*	NP454350	NP454727	SET602*	TNTC2
N Trailer Outer	NP454049	NP454011	SET440*	NP454357	NP454773	SET603*	
P Trailer Inner & Outer	NP454445	NP454410	SET444*	NP454964	NP454561	SET604*	TPTC2

* Includes proprietary Timken part numbers

** Each kit includes two MileMate® Sets and a spacer.

Note: A wheel bearing is one component of a wheel-end system. Consult your other wheel-end suppliers (i.e., axle, hub and wheel) for the ratings of their products.

ROULEMENTS DE ROUES TIMKEN® 454-SERIES POUR VÉHICULES COMMERCIAUX

Roulements pour pneus jumelés et pneus simples à bande large

- Conçus spécialement pour permettre un déport externe de 2 po
- Garantissent une certaine cohérence au sein des flottes de transport
- Permettent de combiner différents types de pneus

Compatibles avec les composants standard de l'industrie

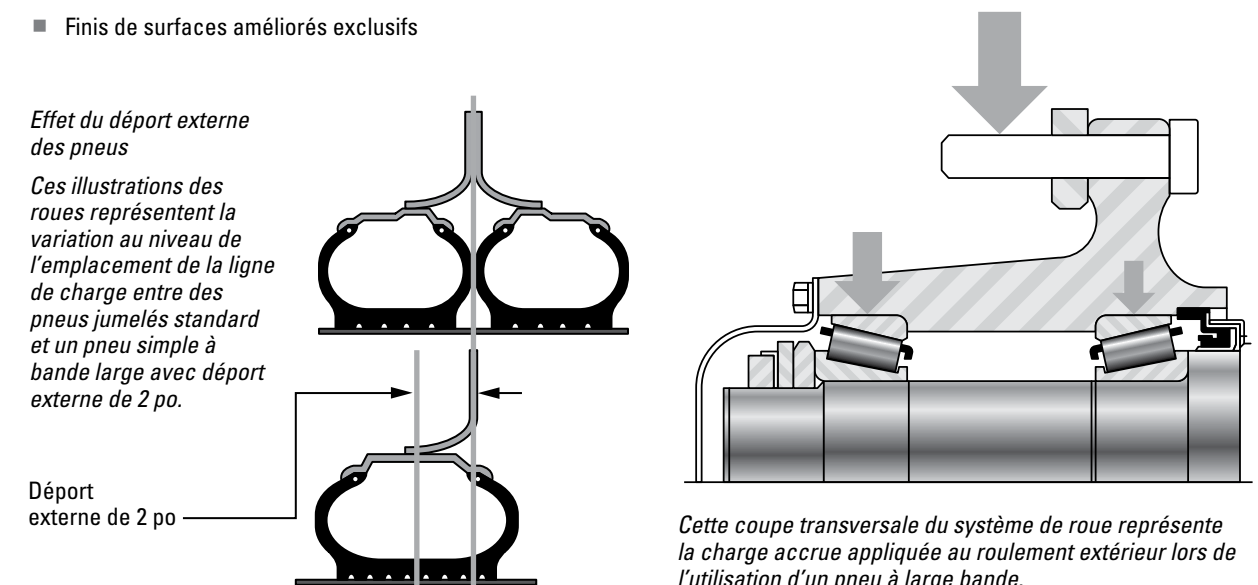
- Peuvent être utilisés avec les essieux et moyeux les plus courants
- Sont compatibles avec l'équipement existant

Conçus pour améliorer la durée de vie du roulement

- Profils de piste de roulement internes sophistiqués pour une distribution optimale de la charge
- Finis de surfaces améliorés exclusifs

Effet du déport externe des pneus

Ces illustrations des roues représentent la variation au niveau de l'emplacement de la ligne de charge entre des pneus jumelés standard et un pneu simple à bande large avec déport externe de 2 po.



Déport externe de 2 po

Timken sait que ses clients désirent économiser du carburant, transporter des charges lourdes, normaliser les composants et optimiser le temps de service de leurs véhicules commerciaux. Nous avons tenu compte de ces facteurs lors du développement de notre nouvelle gamme de roulements Timken® 454-Series. Ces roulements aident vos flottes de transport à fonctionner de manière plus efficace et rentable.

Notre gamme de roulements 454-Series vous offre dès aujourd'hui la technologie des roulements hautes performances de demain.

Pour de plus amples informations, contactez votre représentant commercial Timken ou un représentant de notre service clientèle spécialisé dans l'automobile et les poids lourds par Téléphone, (866) 9-TIMKEN (984-6536), ou télécopie, (877) TIMKEN-9 (846-5369).

Cette coupe transversale du système de roue représente la charge accrue appliquée au roulement extérieur lors de l'utilisation d'un pneu à large bande.

Application	Réglage manuel			Préréglage			
	Cône	Cuvette	Ensemble MileMate®	Cône	Cuvette	Ensemble MileMate®	Kit**
Essieu intérieur R	NP454594	NP454592	SET443*	NP454946	NP454298	SET600*	RDTC2
Essieu extérieur R	NP454580	NP454572	SET442*	NP454302	NP454874	SET601*	
Remorque intérieure N	NP454248	NP454210	SET441*	NP454350	NP454727	SET602*	TNTC2
Remorque extérieure N	NP454049	NP454011	SET440*	NP454357	NP454773	SET603*	
Remorque intérieure et extérieure P	NP454445	NP454410	SET444*	NP454964	NP454561	SET604*	TPTC2

* Comprend les références Timken exclusives

** Chaque kit comprend deux ensembles MileMate® et une entretoise.

Remarque : Remarque : les roulements constituent l'un des composants d'un système de roue. Consultez vos autres fournisseurs de systèmes de roue (essieu, moyeu et roue) pour obtenir les spécifications de leurs produits.

RODAMIENTOS TIMKEN® 454-SERIES PARA RUEDAS DE VEHÍCULOS COMERCIALES

Rodamientos para rodada doble y sencilla ancha

- Especialmente diseñados para manejar cargas con 2" fuera del centro de la rueda.
- Permiten uniformidad en las flotillas
- Ofrecen flexibilidad en la disposición de las ruedas

Compatibles con componentes estándar de la industria

- Se pueden usar con diseños populares de ejes y mazas
- Pueden adaptarse a equipos existentes

Diseñados para maximizar la vida útil del rodamiento

- Perfiles internos de la pista de rodadura de alta ingeniería para una distribución óptima de la carga
- Acabados superficiales mejorados exclusivos de Timken

En Timken, reconocemos la necesidad de tener vehículos comerciales que ahorren combustible, transporten mayores cargas, puedan estandarizarse sus componentes y optimicen el tiempo productivo. Con esto en mente, nacen los nuevos rodamientos Timken 454- Series, diseñados para que su flota funcione con mayor eficiencia y mejor relación costo-beneficio.

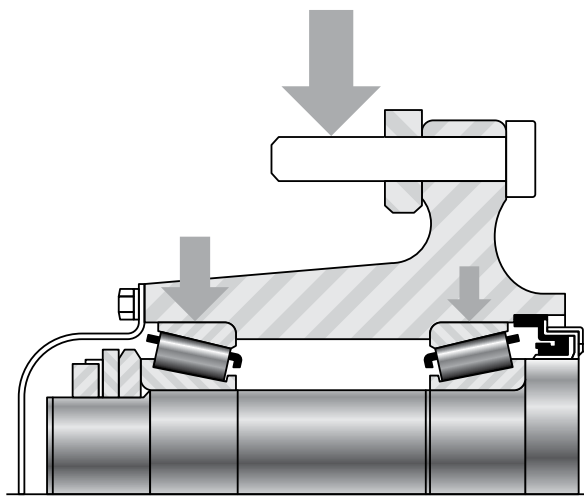
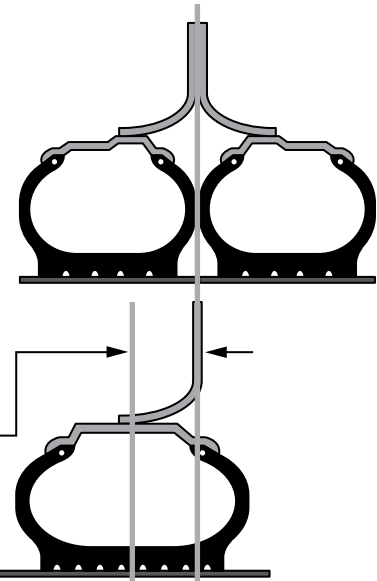
Las Series 454 de Timken continúan el legado, ofreciéndole hoy la tecnología del futuro en sistemas de ruedas de alto rendimiento.

Para mayor información, comuníquese con su representante de ventas Timken o con nuestro equipo de representantes de servicio al cliente de la división automotriz y servicio pesado al teléfono (866) 9-TIMKEN (984-6536), ó por fax al (877) TIMKEN-9 (846-5369).

Efecto de una carga con 2" fuera del centro de la rueda

Estas imágenes de ruedas representan el cambio de ubicación en una línea de carga de una rodada doble estándar y una rodada sencilla ancha con 2" fuera del centro de la rueda.

Distancia de 2" fuera del centro de la rueda



Esta sección transversal del extremo de una rueda representa la carga superior presente en el rodamiento externo al utilizar una rodada sencilla ancha.

Aplicación	Con ajuste manual			Con preajuste			
	Cono	Taza	Conjunto MileMate®	Cono	Taza	Conjunto MileMate®	Kit**
R Motriz interior	NP454594	NP454592	SET443*	NP454946	NP454298	SET600*	RDTC2
R Motriz exterior	NP454580	NP454572	SET442*	NP454302	NP454874	SET601*	
N Trailer interior	NP454248	NP454210	SET441*	NP454350	NP454727	SET602*	TNTC2
N Trailer exterior	NP454049	NP454011	SET440*	NP454357	NP454773	SET603*	
P Trailer interior y exterior	NP454445	NP454410	SET444*	NP454964	NP454561	SET604*	TPTC2

* Incluyen números de parte de Timken.

** Cada kit incluye dos Conjuntos MileMate® y un espaciador.

Nota: El rodamiento es un componente del sistema del extremo de la rueda. Consulte a sus otros proveedores de componentes para los extremos de las ruedas (es decir, ejes, mazas y ruedas) para conocer las capacidades de sus productos.

VEHICLE IDENTIFICATION CHART

Classes 1 & 2 (Under 10,000 lbs.)



PASSENGER VAN



PICKUP



MINI VAN



CARGO VAN

Classes 3, 4, & 5 (10,001-19,500 lbs.)



SHORT-NOSE CONVENTIONAL WITH VAN BODY



CAB FORWARD WITH VAN BODY



LONG WHEEL-BASE WALK-IN VAN



WALK-IN VAN

Class 6 (19,501-26,000 lbs.)



SINGLE AXLE VAN



STAKE



SCHOOL



CDE VAN

Class 7 (26,001-33,000 lbs.)



CDE



TRASH



MEDIUM CONVENTIONAL



FUEL

Class 8 (Over 33,000 lbs.)



CDE



CEMENT



INTERCITY



CONVENTIONAL

TIMKEN #1 IN COMPARISON TEST

Tapered Roller Bearings Commonly used in Heavy-Truck Axles and Wheel-Ends

Setting new standards in bearing life

Since its beginning, Timken has led the industry with significant breakthroughs in bearing technology designed to enhance bearing life. Every Timken® bearing is the result of more than 100 years of experience, knowledge and analysis. This gives us the expertise to explain and, most critically, to analyze and predict bearing life.

While determining bearing life sounds simple enough, it is actually a complex problem that demands a range of technological solutions. At Timken, we have developed highly sensitive tests that help us analyze and validate bearing life.

Timken case-carburized tapered roller bearings: #1 in comparison test

We originally formulated the case-carburizing process for our alloy steel in 1924 to produce a hard, fatigue-resistant surface and a tough, crack-resistant core. Material composition and microstructure play a significant role in enhancing bearing life. Controlled retained austenite optimizes surface hardness of high-carbon steels and improves surface ductility, resulting in better rolling-contact fatigue life.

We recently tested case-carburized tapered roller bearings commonly used in heavy-truck axles and wheel-ends. All the bearings tested were case-carburized and all are commercially available and produced in North America.

The result: Timken bearings out-performed all others. The bearing life of the closest competitor was 13% of that of Timken product. In other words, the life of Timken product was more than 7 times longer than that of the closest competitor.

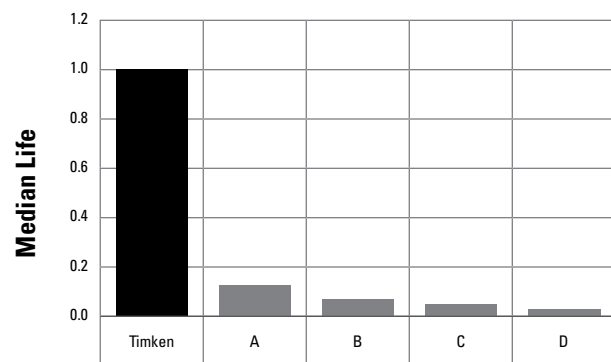
Are we proud? Absolutely. Surprised? Not a bit. Timken engineers and scientists work around the world continuing the push toward new levels of bearing life.



Comparison of Bearing Life:

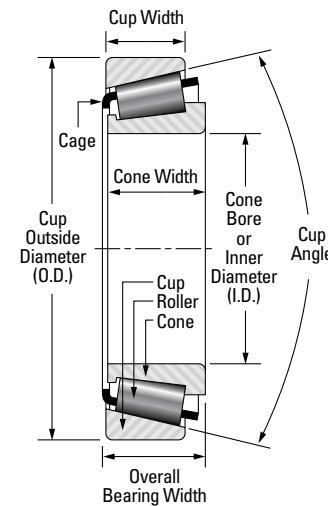
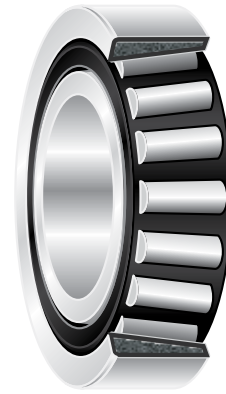
Case-carburized tapered roller bearings commonly used in heavy-truck axles and wheel-ends

Bearing Life Test Results: Median Life Relative to Timken



All the bearings tested were case-carburized and all are commercially available in North America. Bearings A, B, C and D are manufactured by top competitors. Information derived from Timken Standard Life Testing, using significant statistical samplings of bearings in a controlled test environment.*

**HM212049/011; 594A/592A; 580/572; 575/572; NP840302/NP053874*



bearing races and rollers. Smoother surface finishes mean less friction and greater efficiency.

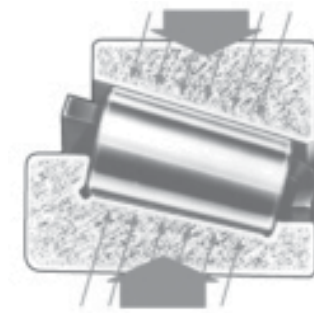
Factors that can affect tapered roller bearing life

Uniform Internal Geometry

Industry bearing standards set only I.D., O.D., overall bearing width and cup angle of a tapered roller bearing. The angle of contact for cones and rollers varies by brand. Timken internal geometry is uniform and consistent regardless of the plant in which our bearings are manufactured, helping to ensure a perfect match every time. Tight manufacturing tolerances on the cup, cone and rollers help to optimize bearing life.

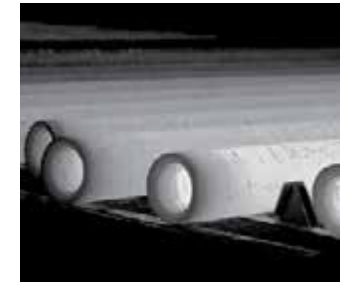
Enhanced Surface Finishes

We employ advanced finishing processes, which result in more consistent, smoother surface finishes on our



Special Profiles

Special profiles reduce stress on Timken bearing races and rollers by providing more even distribution of loads across contact surfaces, increasing load-carrying capacity.



Steel Quality

Timken provides customers around the world with high-quality steel. Capitalizing on the synergy between our bearing and steel businesses, we use our

expertise to select bearing materials that meet the most demanding application requirements and help extend bearing life.

Timken – The Right Choice

Timken technology offers uniform internal geometry, enhanced surface finishes, special profiles and quality steel to help fleets maximize bearing life. Can your fleet afford downtime associated with lower bearing life?



TIMKEN, LE N°1 DES TESTS COMPARATIFS

les roulements à rouleaux coniques couramment utilisés dans les roues et essieux de poids lourds

La nouvelle référence pour la durée de vie des roulements

Depuis sa création, Timken fait preuve d'innovation en réalisant des avancées technologiques de premier plan sur la durée de vie des roulements. Chaque roulement Timken® est le fruit de plus d'un siècle d'expérience, de savoir-faire et d'analyses. Nous disposons donc de toute l'expertise pour expliquer et surtout pour analyser et prévoir la durée de vie des roulements.

Contrairement aux apparences, la détermination de la durée de vie d'un roulement est un problème complexe qui fait appel à plusieurs solutions technologiques. Chez Timken, nous avons développé des tests très précis qui nous aident à analyser et à valider cette durée de vie.



Roulements à rouleaux coniques en acier cémenté Timken : n°1 des tests comparatifs

Nous avons mis au point le processus de cémentation pour notre alliage d'acier en 1924 afin de produire des pièces dures et résistantes à la fatigue en surface et présentant une grande résistance aux fissures à l'intérieur. La composition et la microstructure du matériau jouent un rôle significatif dans l'augmentation de la durée de vie des roulements. Le contrôle de l'austénite résiduelle optimise la dureté en surface des aciers à teneur élevée en carbone et améliore la ductilité de la surface, entraînant une plus grande résistance à la fatigue des zones en contact. Nous avons récemment testé des roulements à rouleaux coniques en acier cémenté – ceux-là même qui équipent les roues et les essieux des poids lourds. Tous les roulements testés étaient en acier cémenté, et sont commercialisés et fabriqués en Amérique du Nord.

Le résultat ? Les roulements Timken ont surclassé tous les autres. La durée de vie du roulement classé deuxième était égale à 13 % de celle du produit Timken. Autrement dit, la durée de vie du roulement Timken était 7 fois supérieure à celle de son plus sérieux concurrent.

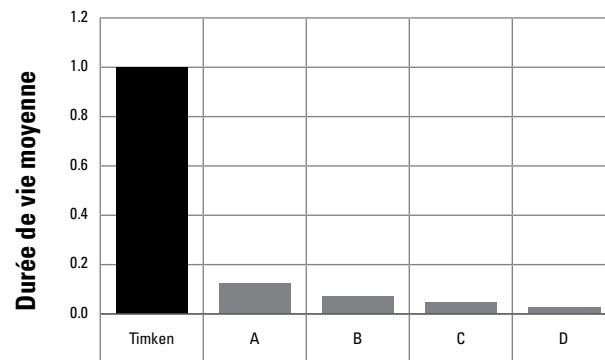
Sommes-nous fiers ? Absolument. Surpris ? Pas vraiment. Les ingénieurs et scientifiques Timken travaillent en permanence pour améliorer la durée de vie de nos roulements.

Comparaison de la durée de vie des roulements :

Roulements à rouleaux coniques en acier cémenté, fréquemment utilisés dans les roues et les essieux des poids lourds

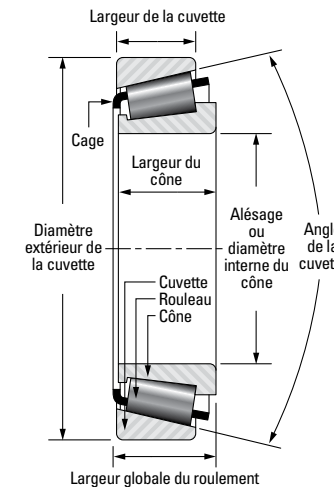
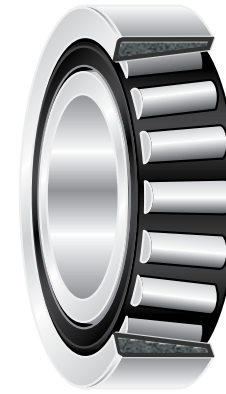
Résultats des tests :

Durée de vie moyenne par rapport à Timken



Tous les roulements testés étaient en acier cémenté, et sont commercialisés et fabriqués en Amérique du Nord. Les roulements A, B, C et D sont fabriqués par nos principaux concurrents. Informations obtenues à partir de tests de durée de vie effectués sur des échantillons statistiquement significatifs de roulements en environnement contrôlé.*

**HM212049/011 ; 594A/592A ; 580/572 ; 575/572 ; NP840302/NP053874*



Facteurs pouvant influencer la durée de vie des roulements à rouleaux coniques

Géométrie interne uniforme

Les standards de l'industrie ne définissent que le diamètre interne, le diamètre externe, la largeur globale et l'angle de cuvette des roulements à rouleaux coniques. L'angle de contact des cônes et des rouleaux varie selon les fabricants. La géométrie interne des roulements Timken est uniforme et cohérente, quel que soit le site de production, ce qui garantit des produits parfaits. Les tolérances

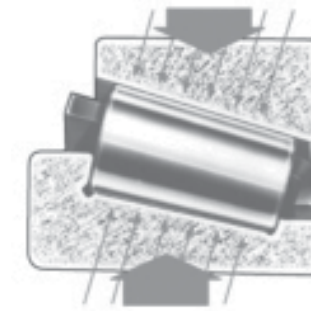
de fabrication – très strictes – de la cuvette, du cône et des roulements optimisent la durée de vie des roulements.



États de surfaces améliorés

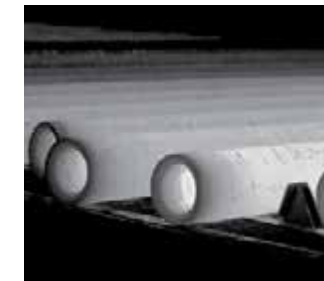
Nos processus de finition très perfectionnés génèrent des surfaces plus lisses et plus cohérentes sur

nos rouleaux et nos bagues de roulement. La qualité de la finition de surface diminue les frictions et garantit une plus grande efficacité.



Profils spéciaux

Les profils spéciaux réduisent les contraintes sur les rouleaux et les bagues de roulement Timken en répartissant mieux les contraintes sur les surfaces en contact, augmentant la capacité de charge.



Qualité de l'acier

Timken fournit des aciers de grande qualité à des clients dans le monde entier. Grâce à la synergie entre nos activités Acier et Roulements, nous

mettons à profit notre expertise pour sélectionner des matériaux qui répondent aux conditions d'utilisation les plus exigeantes et aident à prolonger la durée de vie des roulements.

Timken – Le bon choix

La technologie Timken garantit une géométrie interne uniforme, des états de surface de meilleure qualité, des profils spéciaux et un acier performant qui aident à optimiser la durée de vie des roulements utilisés sur les poids lourds. Tirez le meilleur parti de votre parc de véhicules avec roulements à durée de vie élevée !



TIMKEN, N.º 1 EN LA PRUEBA DE COMPARACIÓN

Rodamientos de rodillos cónicos usados generalmente en ejes y ruedas de camiones para servicio pesado

Estableciendo estándares en la vida de los rodamientos

Desde sus inicios, Timken ha encabezado la industria con avances tecnológicos significativos, encaminados a optimizar la vida útil de los rodamientos. Cada rodamiento de Timken® es el resultado de más de 100 años de experiencia, conocimiento y análisis; lo que nos capacita para explicar y, lo más crítico, analizar y predecir la vida de un rodamiento.

Aunque determinar la vida útil de los rodamientos parece bastante simple, en realidad se trata de un problema complejo que requiere de una serie de procesos técnicos. En Timken, hemos desarrollado pruebas de alta sensibilidad que nos permiten analizar y validar la vida útil de los rodamientos.



Rodamientos cementados de rodillos cónicos Timken: #1 en la prueba de comparación

Originalmente, en 1924, formulamos el proceso de cementado del acero aleado para obtener una superficie dura y resistente a la fatiga, y un centro blando y resistente a los impactos. La composición del material y su microestructura juegan un papel muy importante en la mejora de la vida útil del rodamiento. El control de la austenita retenida optimiza la dureza de la superficie de los aceros al alto carbón y mejora su ductilidad, resultando en mayor vida útil de las superficies de contacto. Recientemente, sometimos a prueba los rodamientos cementados de rodillos cónicos usados generalmente en ejes y ruedas de camiones de servicio pesado. Todos los rodamientos evaluados eran cementados y se fabrican y comercializan en Norteamérica.

El resultado: los rodamientos de Timken superaron a todos los demás. El competidor que logró el mejor rendimiento después de Timken, registró el 13% de la vida útil de nuestros rodamientos. En otras palabras, la vida útil del producto de Timken superó siete veces a la del competidor más cercano.

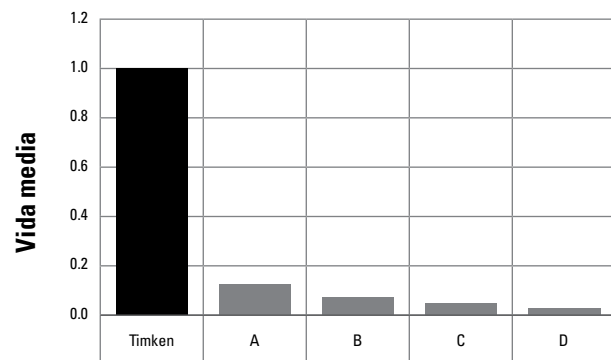
¿Nos enorgullece? Por supuesto. ¿Nos sorprende? Para nada. Los ingenieros y científicos de Timken trabajan en todo el mundo para alcanzar nuevos niveles en la vida útil de los rodamientos.

Comparación de la vida útil de los rodamientos:

Rodamientos cementados de rodillos cónicos utilizados generalmente en ejes y ruedas de camiones de servicio pesado.

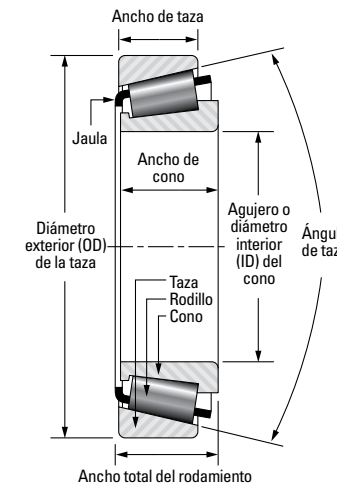
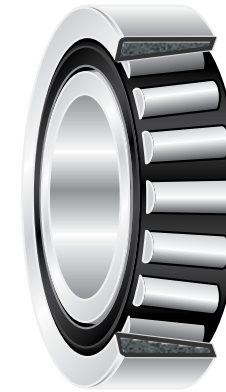
Resultados de la Prueba de Vida Útil de los rodamientos:

Vida media en relación a Timken



Todos los rodamientos evaluados eran cementados y se fabrican y comercializan en Norteamérica. Los rodamientos A, B, C y D son fabricados por los competidores más importantes. La información se extrajo de las Pruebas Estándar de Vida Útil de Timken, mediante un importante muestreo estadístico de rodamientos en un entorno de prueba controlado.*

**HM212049/011; 594A/592A; 580/572; 575/572; NP840302/NP053874*



Factores que pueden afectar la vida útil de los rodamientos de rodillos cónicos

Geometría interna uniforme

Los estándares de la industria para los rodamientos establecen sólo el diámetro interior (DI), el diámetro exterior (DE), el ancho total del rodamiento y el ángulo de taza del rodamiento cónico. El ángulo de contacto de conos y rodillos varía según la marca. La geometría interna de los rodamientos de Timken es uniforme y consistente, sin importar la planta en la que se fabriquen. Lo que garantiza

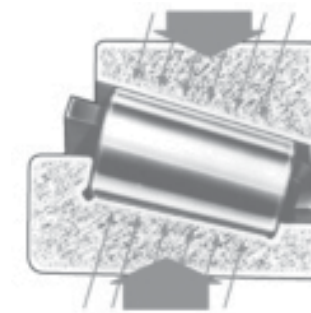
siempre un acople perfecto. Las cerradas tolerancias de fabricación en la taza, el cono y los rodillos ayudan a optimizar la vida útil del rodamiento.



Acabados mejorados de superficie

Tenemos procesos avanzados de acabado que logran superficies más uniformes y lisas en los anillos guía y los

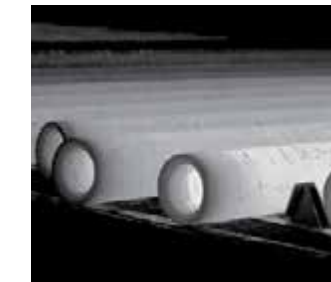
rodillos de los rodamientos. Los acabados de superficie más lisos brindan menor fricción y mayor eficiencia.



Perfiles especiales

Los perfiles especiales reducen la tensión en los anillos guía de los rodamientos de Timken al proporcionar una distribución de cargas más uniforme en las superficies de contacto,

lo que se traduce en una mayor capacidad de transporte de carga.



Calidad del acero

Timken provee acero de alta calidad a clientes de todo el mundo. Aprovechamos la sinergia entre nuestros negocios de rodamientos y de acero:

utilizamos nuestra experiencia para seleccionar materiales para los rodamientos que cumplan con los requisitos de las aplicaciones más exigentes y contribuyan a prolongar la vida útil de los rodamientos.

Timken: la selección correcta

La tecnología Timken ofrece una geometría interna uniforme, acabados de superficie mejorados, perfiles especiales y acero de alta calidad para maximizar la vida útil de los rodamientos de las flotillas. ¿Puede su flotilla tolerar tiempos muertos asociados a menor vida útil de los rodamientos?



TAPERED ROLLER BEARING DAMAGE ANALYSIS

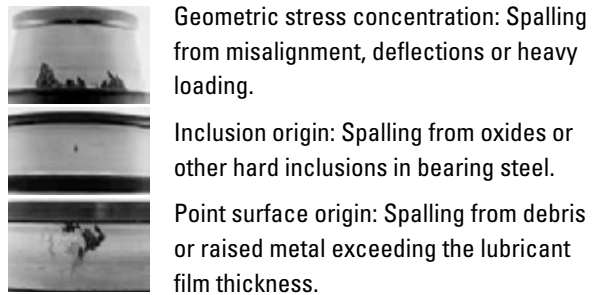


The most common types of bearing damage that may result in a reduction of bearing or application life are often caused by:

- insufficient maintenance practices
- mishandling
- improper installation and adjustment practices
- inadequate lubrication

The following offers a quick reference to the common causes of bearing damage.

Fatigue Spalling



Geometric stress concentration: Spalling from misalignment, deflections or heavy loading.

Inclusion origin: Spalling from oxides or other hard inclusions in bearing steel.

Point surface origin: Spalling from debris or raised metal exceeding the lubricant film thickness.

Foreign Material



Abrasive wear: Fine abrasive particle contamination.

Bruising: Debris from other fatigued parts, inadequate sealing or poor maintenance.

Grooving: Large particle contamination embedding into soft cage material.

Inadequate Lubrication*



Roller end scoring: Metal-to-metal contact from breakdown of lubricant film.

Cone large rib face scoring: 'Welding' and heat damage from metal-to-metal contact.

Cone large rib face deformation: Metal flow from excessive heat generation.

Total bearing lock-up: Rollers skew, slide sideways and lock-up bearing.

*** Excessive preload can cause damage similar to inadequate lubrication damage.**

Corrosion/Etching



Staining: Surface stain with no significant corrosion from moisture exposure.

Etching: Rusting with pitting and corrosion from moisture/water exposure.

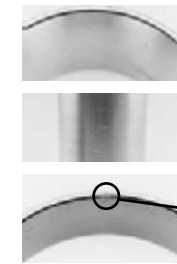
Line spalling: Roller spaced spalling from bearings operating after etching damage.

False Brinelling



Wear caused by vibration or relative axial movement between rollers and races.

Handling Damage



Roller spaced nicking: Raised metal on races from contact with roller edges.

Roller nicking/denting: Rough handling or installation damage.

Cup-face denting: Indentations from hardened driver.

Cage Damage



Cage Deformation: Improperly installed or dropped bearing.

Rollers binding and skewing: Cage ring compressed during installation or interference during service.

Misalignment



Irregular roller path from deflection, inaccurate machining or wear of bearing seats.

Peeling



Micro-spalling due to thin lubricant film from high loads/low RPM or elevated temperatures.

High Spots In Cup Seats



Localized spalling on the cup race from stress riser created by split housing pinch point.

Improper Fit



Cone bore damage: Fractured cone due to out-of-round or oversized shaft.

Cup spinning: Loose cup fit in a rotating wheel hub.

Excessive Preload Or Overload



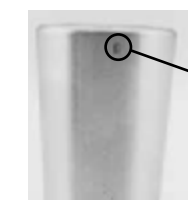
Rapid and deep spalling caused by unusually high stresses. Full race width fatigue spalling is caused by heavy loads creating a thin lubricant film and elevated temperatures.

True Brinelling



Damage from shock or impact.

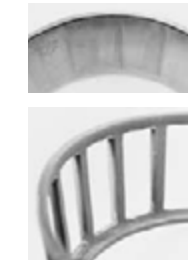
Electric Current



Electric arc pitting: Small burns created by arcs from improper electric grounding while the bearing is stationary.

Fluting: Series of small axial burns caused by electric current passing through the bearing while it is rotating.

Excessive End Play



Scalloping: Uneven localized wear resulting from excessive end play.

Cage pocket wear: Heavy contact between the rollers and cage pocket surfaces caused by bearing operating too loosely.

⚠ WARNING Failure to observe the following warnings could create a risk of death or serious injury.

Proper maintenance and handling practices are critical. Failure to follow installation instructions and to maintain proper lubrication can result in equipment failure. Never spin a bearing with compressed air. The rolling elements may be forcefully expelled.

TIMKEN HEAVY-DUTY TECHTIPS – FREE RESOURCE

The Timken Company offers a series of technical information called Heavy-Duty TechTips. Professional technicians, as well as counter and sales people, appreciate the easy access to Timken product knowledge.

TechTips provides installation and maintenance information for Timken® hubs, bearings, seals and components to help maximize their life and performance, and the systems in which they operate.

Visit www.timken.com/techtips and print your own reference copies of existing issues of TechTips. You can also sign up to receive future issues electronically.



TIMKEN TECH SERIES FREE ONLINE TECH TRAINING TOOL

Timken invites you to take advantage of our Tech Series Training and Resource Tool.

Featuring sections on our full lines of Timken® hub unit bearings, tapered roller bearings, seals, needle and cylindrical bearings, ball bearings and lubricants, our Web tool is a storehouse of information and an invaluable asset! It incorporates insightful video, helpful photos and provides thorough explanations that are easy to follow.

All product sections contain learning opportunities on various subjects including basics, troubleshooting, removal, installation and damage analysis, in addition to many other useful resources. All the sections include a testing chapter in which users can apply their product knowledge, earn product certification patches and receive corresponding certificates of completion. Tests can be completed online, via e-mail, fax or registered mail.

So go ahead, start your intellectual engines, and view the entire contents of Tech Series FREE online at www.timken.com/techseries/



US \$10

PRODUCT OFFERING

HUB UNIT BEARINGS

- ABS Hub Unit Bearings
- ABS Hub Unit Bearings with SENSOR-PAC™ Bearings
- Non-ABS Hub Unit Bearings
- Non-ABS Hub Unit Bearings with UNIPAC™ Bearings
- Non-ABS Hub Unit Bearings with UNIPAC-PLUS™ Bearings

BEARINGS

- Ball Bearings
- Clutch Release Bearings
- Cylindrical Bearings
- Cylindrical Axle Repair Bearings
- Driveline Center Support Bearings
- Needle Bearings
- Tapered Bearings

SEALS

- Automotive
- Industrial
- Light- and Heavy-Duty Oil Bath Seals
- Metric

SPECIALTY KITS

- DT Components® Drivetrain Products
- Differential Kits
- Transaxle & Transfer Case Kits
- Transmission Kits
- KWIK-SLEEVES™ Shaft Repair Kits
- MileMate® Matched Wheel Bearing Sets
- Set-Right® Heavy-Duty Hub Rebuild Kits
- Automotive Wheel Bearing Grease
- Sensor Kits
- Trailer Kits with Standard Bearings



TIMKEN
Where You Turn

www.timken.com/aftermarket



Timken® and Where You Turn® are registered trademarks of The Timken Company.

The registered and unregistered trademarks in this catalog are the property of their respective owners.

© 2012 The Timken Company
Printed in U.S.A.
10M 01-12: 29 Order No. 7002