

## SN/SD Bearings

The New compact Split Plummer Block Bearing from SRB is the first split cylindrical roller bearing assembly to be interchangeable with standard SN and SD series plummer blocks, bringing the benefits of a split design to a much wider audience.



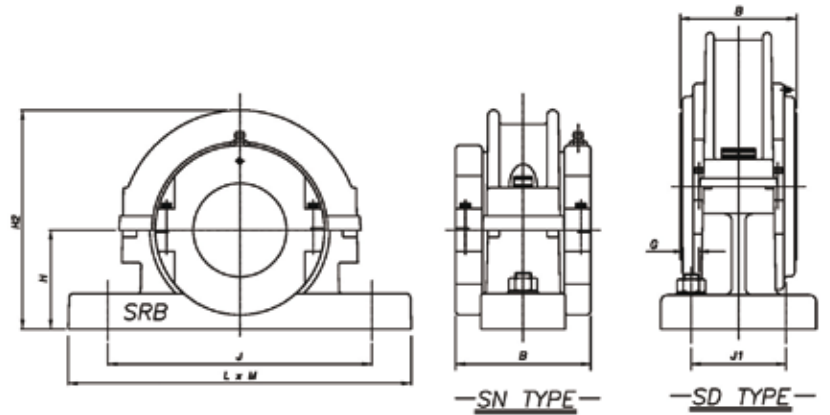
Split roller bearings offer dramatically reduced downtime in maintenance and replacement situations, but could not previously be used in many bearing applications because of their dimensional incompatibility with standard plummer block sizes.

Cast iron plummer blocks accommodating adaptor sleeve mounted spherical roller bearings are amongst the most common types in use, supporting rotating shafts in everything from conveyors and fans to line shafts. Yet their replacement is often time consuming and difficult due to the removal of adjacent equipment. Replacing a typical bearing mounted in a cast iron plummer block can take anything from 6 hours to several days, in contrast, it can take as little as 1–2 hours to replace an SRB bearing unit.

### Key benefits of the Split Plummer Block are:

- SRB SN & SD Series supports dimensionally interchangeable with the SN5.. and SD31.. range of plummer blocks.
- Significant reductions in the time required to change trapped bearings.
- Savings in downtime, improved machine availability.
- Simplified mounting procedures, no feeler gauges.
- Improved sealing efficiency, seals remain concentric to the shaft, unlike spherical roller bearings.
- Efficient use of Maintenance Engineering resources.
- Improved reliability, able to accommodate thermal expansion of the shaft within the bearing envelope.

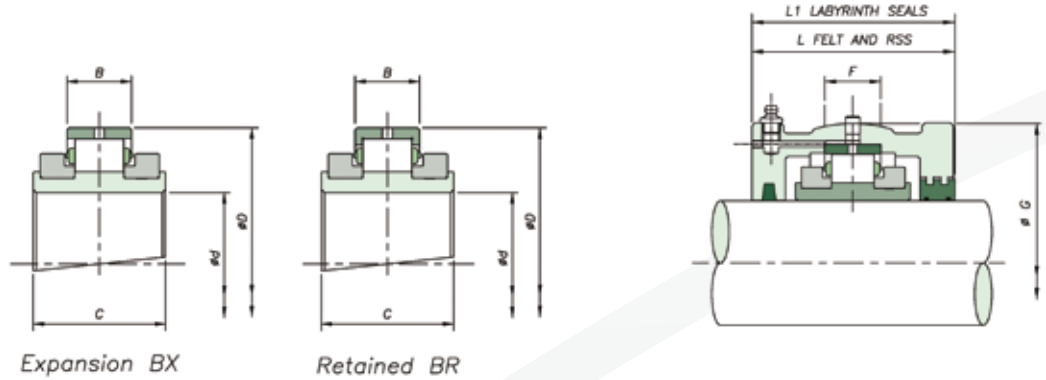
## Light SN/SD Range



### SN SD

Shaft (d) mm	SRB Reference	SN/SD Reference	H	H <sub>1</sub>	H <sub>2</sub>	J x K	L x M	G
35	SN01	SN 508	60	135	84	170	205 x 60	12
40		SN 509						
50	SN02	SN 511	70	155	96	210	255 x 70	16
60	SN03	SN 513	80	180	102	234	275 x 70	16
65	SN03A	SN 515	80	180	102	234	280 x 70	16
70	SN04	SN 516	95	208	112	260	315 x 90	20
75		SN 517						
80	SN05	SN 518	100	230	134	290	345 x 100	20
85	SN05A	SN 519	112	242	134	290	345 x 100	20
90	SN05B	SN 520	112	242	134	320	380 x 110	24
100	SN06	SN 522	125	265	132	350	410 x 120	24
110	SN07	SN 524	140	300	140	350	410 x 120	24
115	SN07A	SN 526	150	310	140	380	445 x 130	24
125	SN08	SN 528	150	354	154	420	500 x 150	30
135	SN09	SN 530	160	369	166	450	530 x 160	30
140	SN09A	SN 532	170	379	166	470	550 x 160	30
150	SD10	SD 3134	170	379	172	430 x 100	510 x 180	24
160	SD11	SD 3136	180	396	172	450 x 110	530 x 190	24
170	SD12	SD 3138	190	417	172	480 x 120	560 x 210	24
180	SD12A	SD 3140	210	437	172	510 x 130	610 x 230	30
200	SD13	SD 3144	220	457	172	540 x 140	640 x 240	30
220	SD14	SD 3148	240	510	176	600 x 150	700 x 260	30
240	SD15	SD 3152	260	545	188	650 x 160	770 x 280	36
260	SD16	SD 3156	280	589	204	670 x 160	790 x 280	36
280	SD16A	SD 3160	300	609	204	710 x 190	830 x 310	36
300	SD17	SD3164	320	662	216	750 x 200	880 x 330	36

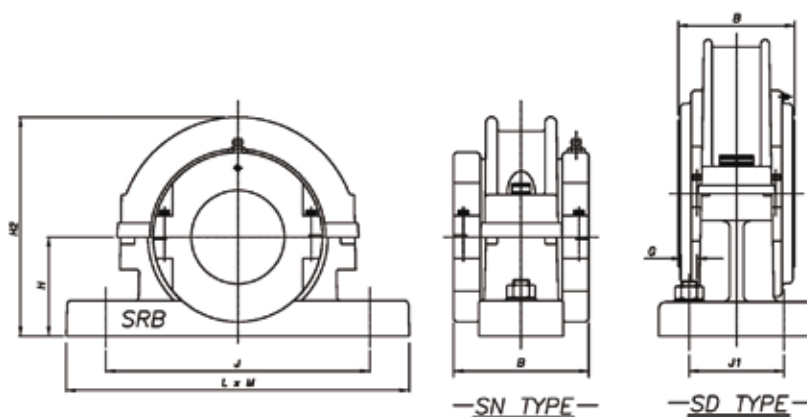
# Bearing & Housings



Shaft (d)		Reference	Bearings Ratings				Housing Reference						
mm	Add BR for retained Add BX for expansion e.g. LSM35BR	Dynamic C <sub>r</sub> (kN/lb)	Static C <sub>r</sub> (kN/lb)	Axial C <sub>r</sub> (kN/lb)	Max RPM	D	B	C	Add HR for retained Add HX for expansion e.g. LSM35HR	G	F	L	L <sub>1</sub>
35	LSM35	65	68	3.20	5400	84.14	23.80	55.00	LSM35	100.00	25	84	86
40	LSM40	14613	15287	719.38		3.313	0.937	2.165	LSM40	3.937	1.0	3.3	3.4
50	LSM50	83	87	3.60	4630	98.42	25.40	60.00	LSM50	117.48	25	96	98
60	LSM60	18659	19558	809.30		3.875	1.000	2.362	LSM60	4.625	1.0	3.8	3.9
65	LSM65	103	115	5.40	3940	114.30	27.00	60.00	LSM65	134.94	32	102	104
70	LSM70	23155	25853	1213.95		4.500	1.063	2.362	LSM70	5.313	1.3	4.0	4.1
75	LSM75	138	161	7.60	3310	133.35	31.80	65.00	LSM75	157.16	38	112	114
80	LSM80	31024	36194	1708.53		5.250	1.252	2.559	LSM80	6.187	1.5	4.4	4.5
85	LSM85	187	231	12.40	2790	152.40	38.90	75.00	LSM85	177.80	50	134	136
90	LSM90	42039	51931	2787.59		6.000	1.531	2.953	LSM90	7.000	2.0	5.3	5.4
100	LSM100	288	366	16.00	2340	174.62	45.30	85.00	LSM100	203.20	50	132	134
110	LSM110	64745	82280	3596.90		6.875	1.783	3.346	LSM110	8.000	2.0	5.2	5.3
115	LSM115	316	427	18.60	1970	203.20	46.90	90.00	LSM115	231.78	64	140	142
125	LSM125	71040	95993	4181.39		8.000	1.846	3.543	LSM125	9.125	2.5	5.5	5.6
135	LSM135	363	496	22.20	1740	222.25	54.00	95.00	LSM135	266.70	76	154	156
140	LSM140	81606	111505	4990.69		8.750	2.126	3.740	LSM140	10.500	3.0	6.1	6.1
150	LSM150	422	585	25.80	1570	241.30	55.60	98.40	LSM150	279.40	76	166	168
160	LSM160	94869	131513	5799.99		9.500	2.189	3.874	LSM160	11.000	3.0	6.5	6.6
170	LSM170	459	664	29.40	1450	254.00	55.60	98.40	LSM170	295.28	82	172	174
180	LSM180	103187	149273	6609.30		10.000	2.189	3.874	LSM180	11.625	3.2	6.8	6.9
180	LSM180	583	792	33.00	1320	273.05	60.30	109.00	LSM180	311.15	76	172	192
200	LSM200	131064	178049	7419		10.750	2.374	4.291	LSM200	12.250	3.0	6.8	7.6
200	LSM200	524	828	36.40	1220	285.75	55.50	109.00	LSM200	323.85	70	172	200
220	LSM220	117800	186142	8183		11.250	2.185	4.291	LSM220	12.750	2.8	6.8	7.9
240	LSM240	614	990	41.00	1070	311.15	60.30	106.00	LSM240	358.78	86	172	200
260	LSM260	138033	222561	9217		12.250	2.374	4.173	LSM260	14.125	3.4	6.8	7.9
280	LSM280	708	1168	49.00	930	342.90	63.50	115.00	LSM280	387.35	82	178	216
300	LSM300	159165	262577	11016		13.500	2.500	4.528	LSM300	15.250	3.2	7.0	8.5
240	LSM240	744	1289	57.80	820	374.65	66.70	122.00	LSM240	419.10	90	188	222
260	LSM260	167258	289779	12994		14.750	2.626	4.803	LSM260	16.500	3.5	7.4	8.7
280	LSM280	848	1502	66.80	730	406.40	69.00	128.00	LSM280	454.00	95	204	232
300	LSM300	190638	337663	15017		16.000	2.717	5.039	LSM300	17.874	3.7	8.0	9.1
300	LSM300	929	1665	78.20	650	438.15	74.60	143.00	LSM300	489.00	98	216	248
		208848	374307	17580		17.250	2.937	5.630		19.252	3.9	8.5	9.8

Product Range - Light SN/SD Range / Bearing & Housings

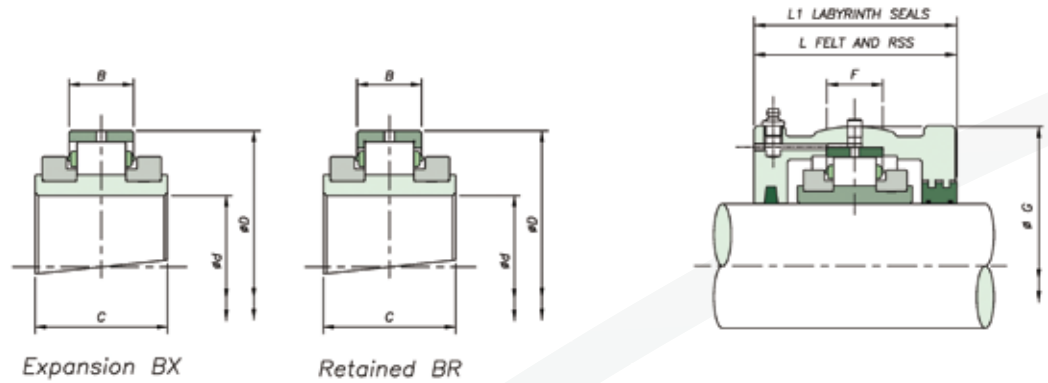
## Medium SN/SD Range



### SN SD

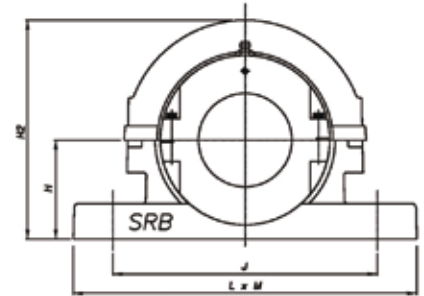
Shaft (d) mm	Description	Support Reference	SD Reference	H	J x K	L x M
140	MSM140B	SN09B	SNL532	170	470	550 x 160
150	MSM150B	SD30	SD3134 SNL3134	170	430 x 100	510 x 180
160	MSM160B	SD31	SD3136 SNL3136	180	450 x 110	530 x 190
170	MSM170B	SD32	SD3138 SNL3138	190	480 x 120	560 x 210
180	MSM180B	SD33	SD3140 SNL3140	210	510 x 130	610 x 230
200	MSM200B	SD34	SD3144 SNL3144	220	540 x 140	640 x 240
220	MSM220B	SD35	SD3148 SNL3148	250	600 x 150	700 x 260
240	MSM240B	SD36	SD3152 SNL3152	270	650 x 160	770 x 280
260	MSM260B	SD36A	SD3156 SNL3156	280	670 x 160	790 x 280
280	MSM280B	SD37	SD3160 SNL3160	300	710 x 190	830 x 310
300	MSM300B	SD38	SD3164 SNL3164	320	750 x 200	880 x 330
320	MSM320B	SD39	SNL3168L	340	810 x 220	950 x 360
340	MSM340B	SD40	SNL3172L	350	840 x 220	1000 x 360
360	MSM360B	SD40A	SNL3176L	360	870 x 220	1040 x 360
380	MSM380B	SD41	SNL3180L	380	950 x 240	1120 x 390
400	MSM400B	SD42	SNL3184L	410	1000 x 260	1170 x 420

## Bearing & Housings



Shaft (d)		Reference		Bearings Ratings				Housing Reference					
mm	Description	Dynamic $C_r$ (kN/lb)	Static $C_{or}$ (kN/lb)	Axial $C_a$ (kN/lb)	Max RPM	D	B	C	Housing	G	F	L	L <sub>1</sub>
140	MSM140	600	817	45.50	1450	273.05	66.70	117.50	MSM140	323.95	90	186	188
		134885	183669	10229		10.750	2.626	4.626		12.754	3.5	7.3	7.4
150	MSM150A	600	817	45.40	1450	273.05	66.70	117.50	MSM150A	336.55	95	202	204
		134885	183669	10206		10.750	2.626	4.626		13.250	3.7	8.0	8.0
160	MSM160A	730	1034	52.40	1320	292.10	68.30	123.80	MSM160A	336.55	95	202	204
		164111	232452	11780		11.500	2.689	4.874		13.250	3.7	8.0	8.0
170	MSM170	842	1175	61.40	1200	317.50	83.30	140.00	MSM170	368.30	95	206	232
		189289	264151	13803		12.500	3.280	5.512		14.500	3.7	8.1	9.1
180	MSM180	927	1357	71.20	1120	330.20	83.30	140.00	MSM180	381.00	95	222	242
		208398	305066	16006		13.000	3.280	5.512		15.000	3.7	8.7	9.5
200	MSM200	1013	1516	80.00	960	368.30	90.50	156.00	MSM200	425.00	105	235	253
		227731	340810	17985		14.500	3.563	6.142		16.732	4.1	9.3	10.0
220	MSM220	1138	1668	89.80	850	393.70	90.50	163.00	MSM220	457.20	110	242	274
		255833	374981	20188		15.500	3.563	6.147		18.000	4.3	9.5	10.8
240	MSM240	1354	2117	98.80	750	431.80	96.80	170.00	MSM240	495.30	118	248	280
		304391	475921	22211		17.000	3.811	6.693		19.500	4.6	9.8	11.0
260	MSM260	1354	2117	98.80	750	431.80	96.80	170.00	MSM260	495.30	118	248	280
		304391	475921	22211		17.000	3.811	6.693		19.500	4.6	9.8	11.0
280	MSM280	1476	2357	113.80	670	463.55	101.60	186.00	MSM280	527.10	130	264	300
		331818	529875	25583		18.250	4.000	7.323		20.752	5.1	10.4	11.8
300	MSM300	1587	2644	129.00	610	495.30	103.20	193.00	MSM300	552.50	128	268	306
		356771	594395	29000		19.500	4.063	7.598		21.752	5.0	10.6	12.0
320	MSM320	1723	2922	144.20	550	527.05	106.40	192.00	MSM320	587.40	128	298	
		387346	656892	32417		20.750	4.189	7.559		23.126	5.0	11.7	
340	MSM340	1989	3403	159.20	500	565.15	115.90	200.00	MSM340	628.70	146	305	
		447145	765025	35790		22.250	4.563	7.874		24.752	5.7	12.0	
360	MSM360	1989	3403	159.20	500	565.15	115.90	200.00	MSM360	628.70	146	305	
		447145	765025	35790		22.250	4.563	7.874		24.752	5.7	12.0	
380	MSM380	1931	3522	174.40	460	584.20	111.10	200.00	MSM380	628.70	146	305	
		434106	791777	39207		23.000	4.374	7.874		24.752	5.7	12.0	
400	MSM400	2105	3793	188.40	430	615.95	115.90	200.00	MSM400	685.80	146	324	
		473223	852700	42354		24.250	4.563	7.874		27.000	5.7	12.8	

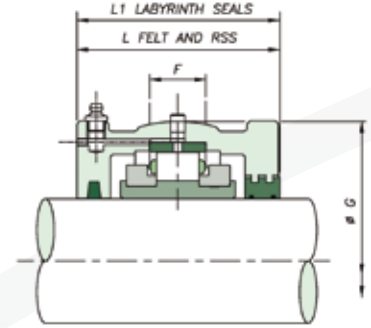
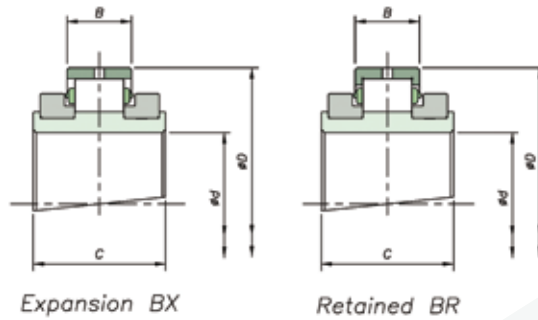
## SAFR 2 Bolt Pedestal/SAFR 4 Bolt Pedestal



SAFR 2 Bolt Pedestal / SAFR 4 Bolt Pedestal

Shaft (d) mm	Complete Assembly	Additional Bearing Sizes	H	J	S	Bolt Sizes	B	L	M	H
1 15/16"	LSE115HSSAFR511AT	1 11/16", 1 3/4", 2" 45mm, 50mm	2 3/4"	7 5/8"	-	2 x 5/8"	3 13/16"	9 5/8"	2 3/4"	6 1/8"
2 3/16"	LSE203HSSAFR513AT	2 1/4", 2 7/16", 2 1/2" 60mm, 65mm	3"	9 13/16"	-	2 x 5/8"	4 1/16"	11"	3 1/8"	7"
2 7/16"	LSE207HSSAFR515AT	2 3/16", 2 1/4", 2 1/2" 60mm, 65mm	3 1/4"	9 1/8"	-	2 x 5/8"	4 1/16"	11 1/4"	3 1/8"	7 1/4"
2 11/16"	LSE211HSSAFR516AT	2 3/4", 2 15/16", 3" 70mm, 75mm	3 1/2"	10 5/16"	-	2 x 3/4"	4 1/2"	13"	3 1/2"	8"
2 15/16"	LSE215HSSAFR517AT	2 11/16", 2 3/4", 3" 70mm, 75mm	3 3/4"	10 7/16"	-	2 x 3/4"	4 1/2"	13"	3 1/2"	8 1/4"
2 15/16"	MSE215HSSAFR517AT	2 11/16", 2 3/4", 3" 70mm, 75mm	3 3/4"	10 7/16"	2 1/8"	4 x 5/8"	5 1/2"	13"	3 1/2"	8 1/2"
3 3/16"	LSE303HSSAFR518AT	3 1/4", 3 7/16", 3 7/16" 80mm, 85mm, 90mm	4"	11"	-	2 x 3/4"	5 5/16"	13 3/8"	3 7/8"	9 1/2"
3 7/16"	LSE307HSSAFR520AT	3 3/16", 3 1/4", 3 1/2" 80mm, 85mm, 90mm	4 1/2"	12 3/8"	-	2 x 7/8"	5 5/16"	15 1/4"	4 3/8"	10"
3 7/16"	MSE307HSSAFR520AT	3 3/16", 3 1/4", 3 1/2" 80mm, 85mm, 90mm	4 1/2"	12 3/8"	2 3/8"	4 x 3/4"	6 1/16"	15 1/4"	4 3/8"	10 1/4"
3 15/16"	MSE315HSSAFR522AT	3 11/16", 3 3/4", 3 1/2" 100mm, 105mm	4 15/16"	13 9/16"	2 3/4"	4 x 3/4"	5 3/4"	16 1/2"	4 3/4"	11 5/8"
4 7/16"	MSE407HSSAFR526AT	4 3/16", 4 1/2" 110mm, 115mm	6"	15 5/16"	3 1/4"	4 x 3/4"	6 3/8"	18 3/8"	5 1/8"	14 1/4"

# Bearing & Housings



Shaft (d)		Reference	Bearings Ratings				Housing Reference									
inch	mm	Add BR for retained Add BX for expansion e.g. LSM35BR	Dynamic C <sub>r</sub> (kN/lb)	Static C <sub>0r</sub> (kN/lb)	Axial C <sub>a</sub> (kN/lb)	Max RPM	D	B	C	Housing Retained	Reference Expansion	G	F	L	L <sub>1</sub>	
1 <sup>11</sup> / <sub>16</sub>																
1 <sup>3</sup> / <sub>4</sub>	45	LSM45	LSE111	83	87	3.60	4630	98.42	25.40	60.00	LS2HR	LS2HX	117.48	25	96	98
1 <sup>13</sup> / <sub>16</sub>	50	LSM50	LSE112	18659	19558	809.30		3.875	1.000	2.362			4.625	1.0	3.8	3.9
2			LSE200													
2 <sup>2</sup> / <sub>16</sub>			LSE203													
2 <sup>1</sup> / <sub>4</sub>	55	LSM55	LSE204	103	115	5.40	3940	114.30	27.00	60.00	LS3HR	LS3HX	134.94	32	102	104
2 <sup>7</sup> / <sub>16</sub>	60	LSM60	LSE207	23155	25853	1213.95		4.500	1.063	2.362			5.313	1.3	4.0	4.1
2 <sup>1</sup> / <sub>2</sub>	65	LSM65	LSE208													
2 <sup>3</sup> / <sub>16</sub>			LSE203													
2 <sup>1</sup> / <sub>4</sub>	55	LSM55	LSE204	103	115	5.40	3940	114.30	27.00	60.00	LS3HR	LS3HX	134.94	32	102	104
2 <sup>7</sup> / <sub>16</sub>	60	LSM60	LSE207	23155	25853	1213.95		4.500	1.063	2.362			5.313	1.3	4.0	4.1
2 <sup>1</sup> / <sub>2</sub>	65	LSM65	LSE208													
2 <sup>11</sup> / <sub>16</sub>			LSE211													
2 <sup>3</sup> / <sub>4</sub>	70	LSM70	LSE212	138	161	7.60	3310	133.35	31.80	65.00	LS4HR	LS4HX	157.16	38	112	114
2 <sup>13</sup> / <sub>16</sub>	75	LSM75	LSE215	31024	36194	1708.53		5.259	1.252	2.559			6.187	1.5	4.4	4.5
3			LSE300													
2 <sup>11</sup> / <sub>16</sub>			LSE211													
2 <sup>3</sup> / <sub>4</sub>	70	LSM70	LSE212	138	161	7.60	3310	133.35	31.80	65.00	LS4HR	LS4HX	157.16	38	112	114
2 <sup>13</sup> / <sub>16</sub>	75	LSM75	LSE215	31024	36194	1708.53		5.250	1.252	2.559			6.187	1.5	4.4	4.5
3			LSE300													
2 <sup>11</sup> / <sub>16</sub>			LSE211													
2 <sup>3</sup> / <sub>4</sub>	70	MSM70	LSE212	258	300	10.60	3080	149.22	46.10	82.60	MS5HR	MS5HX	177.80	50	138	140
2 <sup>13</sup> / <sub>16</sub>	75	MSM75	LSE215	58001	67443	2383		5.875	1.815	3.252			7.000	2.0	5.4	5.5
3			LSE300													
3 <sup>1</sup> / <sub>16</sub>			LSE303													
3 <sup>1</sup> / <sub>4</sub>	80	LSM80	LSE304	187	231	12.40	2790	152.4	38.90	75.00	LS5HR	LS5HX	177.80	50	134	136
3 <sup>7</sup> / <sub>16</sub>	85	LSM85	LSE307	42039	51931	2787.59		6.000	1.531	2.953			7.000	2.0	5.3	5.4
3 <sup>1</sup> / <sub>2</sub>	90	LSM90	LSE308													
3 <sup>1</sup> / <sub>16</sub>			LSE303													
3 <sup>1</sup> / <sub>4</sub>	80	LSM80	LSE304	187	231	12.40	2790	152.4	38.90	75.00	LS5HR	LS5HX	177.80	50	134	136
3 <sup>7</sup> / <sub>16</sub>	85	LSM85	LSE307	42039	51931	2787.59		6.000	1.531	2.953			7.000	2.0	5.3	5.4
3 <sup>1</sup> / <sub>2</sub>	90	LSM90	LSE308													
3 <sup>3</sup> / <sub>16</sub>			LSE303													
3 <sup>1</sup> / <sub>4</sub>	80	MSM80	LSE304	297	353	17.80	2520	169.86	48.40	89.70	MS6HR	MS6HX	203.20	50	152	154
3 <sup>7</sup> / <sub>16</sub>	85	MSM85	LSE307	66768	79358	4002		6.687	1.906	3.531			8.000	2.0	6.0	6.1
3 <sup>1</sup> / <sub>2</sub>	90	MSM90	LSE308													
3 <sup>11</sup> / <sub>16</sub>			LSE311													
3 <sup>3</sup> / <sub>4</sub>	100	MSM100	LSE312	388	491	25.00	2130	193.68	51.60	92.10	MS7HR	MS7HX	231.78	64	144	146
3 <sup>13</sup> / <sub>16</sub>	105	MSM105	LSE315	87226	110381	5620		7.625	2.031	3.626			9.125	2.5	5.7	5.7
4			LSE400													
4 <sup>1</sup> / <sub>16</sub>			LSE403													
4 <sup>1</sup> / <sub>4</sub>	110	MSM110	LSE404	454	592	31.20	1820	228.60	57.20	100.00	MS8HR	MS8HX	266.70	76	160	162
4 <sup>1</sup> / <sub>2</sub>	115	MSM115	LSE407	102063	133087	7014		9.000	2.252	3.937			10.500	3.0	6.3	6.4
			LSE408													