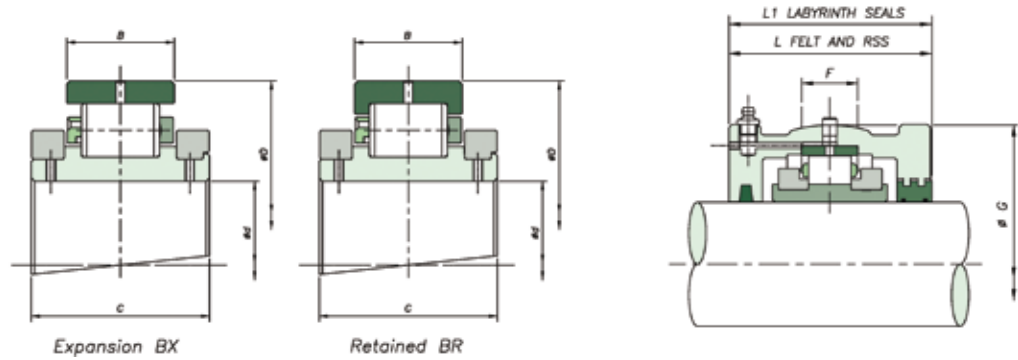


Light Series Bearing & Housing

160mm to 340mm



Shaft (d)		Reference	Bearings Ratings			
-----------	--	-----------	------------------	--	--	--

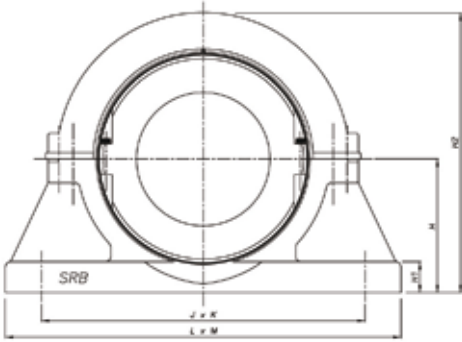
mm	inch	Add BR for retained Add BX for expansion e.g. LSM35BR	Dynamic C _d (kN/lb)	Static C _s (kN/lb)	Axial C _a (kN/lb)	Max RPM	D	B	C
160	6 ¹ / ₁₆	LSM160 LSE607	583	792	33.00	1320	273.05	60.30	109.00
170A	6 ¹ / ₂	LSM170A LSE608	131064	178049	7419		10.750	2.374	4.291
170	6 ¹¹ / ₁₆	LSM170 LSE611	524	828	36.40	1220	285.75	55.50	109.00
175	6 ³ / ₄	LSM175 LSE612							
180	6 ⁵ / ₁₆	LSM180 LSE615	117800	186142	8183	930	11.250	2.185	4.291
	7	LSE700							
	7 ¹ / ₄	LSE704	614	990	41.00	1070	311.15	60.30	109.00
190	7 ¹ / ₂	LSM190 LSE708							
200	7 ⁵ / ₁₆	LSM200 LSE715	138033	222561	9217	930	12.250	2.374	4.291
	8	LSE800							
220	8 ¹ / ₂	LSM220 LSE808	708	1168	49.00	820	374.65	66.70	122.00
230	8 ⁷ / ₈	LSM230 LSE814	159165	262577	11016				
	9	LSE900	744	1289	57.80	730	406.40	69.00	128.00
240	9 ¹ / ₂	LSM240 LSE908							
250	9 ³ / ₄	LSM250 LSE912	167258	289779	12994	650	17.250	2.937	5.630
	10	LSE1000							
260	10 ¹ / ₂	LSM260 LSE1008	848	1502	66.80	590	463.55	74.60	136.00
270	10 ³ / ₄	LSM270 LSE1012	190638	337663	15017				
280	11	LSM280 LSE1100	929	1665	78.20	650	438.15	74.60	143.00
300	11 ¹ / ₂	LSM300 LSE1108							
305	12	LSM305 LSE1200	208848	374307	17580	590	18.250	2.937	5.354
320	12 ¹ / ₂	LSM320 LSE1208							
330	13	LSM330 LSE1300	206824	376330	20008	540	488.95	74.60	136.00
340	14	LSM340 LSE1400	1022	1965	99.60				
350		LSM350	229755	441745	22391		19.250	2.937	5.354

Housing Reference					
-------------------	--	--	--	--	--

Add HR for retained Add HX for expansion e.g. LSM35HR		G	F	L	L ₁
LSM160	LSE607	311.15	76	172	192
LSM170A	LSE608	12.250	3.0	6.8	7.6
LSM170	LSE611				
LSM175	LSE612	323.85	70	172	200
LSM180	LSE615	12.750	2.8	6.8	7.9
	LSE700				
	LSE704				
LSM190	LSE708	358.78	86	172	200
LSM200	LSE715	14.125	3.4	6.8	7.9
	LSE800				
LSM220	LSE808	387.35	82	178	216
LSM230	LSE814	15.250	3.2	7.0	8.5
	LSE900				
LSM240	LSE908	419.10	90	188	222
LSM250	LSE912	16.500	3.5	7.4	8.7
	LSE1000				
LSM260	LSE1008	454.00	95	204	232
LSM270	LSE1012	17.874	3.7	8.0	9.1
LSM280	LSE1100				
LSM300	LSE1108	489.00	98	216	248
LSM305	LSE1200	19.252	3.9	8.5	9.8
LSM320	LSE1208	520.70	95	260	-
LSM330	LSE1300	20.500	3.7	10.2	-
LSM340	LSE1400	546.10	98	260	-
LSM350		21.500	3.9	10.2	-

Light Series Support

S11 - S19



S11 - S19

Shaft (d)		Support Reference	H	H ₁	H ₂	J x K	L x M	Bolts
mm	inch							
160	6 ⁷ / ₁₆	S11	213	32	430	368 x 114	508 x 178	4 x M24
170A	6 ¹ / ₂		8.386	1.3	16.9	14.5 x 4.5	20 x 7	
170	6 ¹¹ / ₁₆	S12	235	35	470	388 x 128	534 x 190	4 x M24
175	6 ³ / ₄		9.252	1.4	18.5	15.3 x 5	21 x 7.5	
180	7							
190	7 ¹ / ₄	S13	248	38	495	422 x 140	572 x 204	4 x M24
200	7 ¹⁵ / ₁₆		9.764	1.5	19.5	16.6 x 5.5	22.5 x 8	
220	8 ¹ / ₂							
230	8 ⁷ / ₈	S14	270	40	540	460 x 140	636 x 216	4 x M30
240	9		10.630	1.6	21.3	18.1 x 5.5	25 x 8.5	
250	9 ¹ / ₂	S15	292	44	585	502 x 140	686 x 228	4 x M30
260	9 ³ / ₄		11.496	1.7	23.0	19.8 x 5.5	27 x 9	
270	10							
280	10 ¹ / ₂	S16	311	48	620	534 x 140	724 x 228	4 x M30
270	10 ³ / ₄		12.244	1.9	24.4	21 x 5.5	28.5 x 9	
280	11							
300	11 ¹ / ₂	S17	343	50	685	584 x 178	762 x 254	4 x M30
305	12		13.504	2.0	27.0	23 x 7	32 x 10	
320	12 ¹ / ₂	S18	368	54	735	622 x 178	812 x 254	4 x M36
330	13		14.488	2.1	28.9	24.5 x 7	32 x 10	
340	14	S19	387	57	775	654 x 166	850 x 254	4 x M36
350			15.236	2.2	30.5	25.7 x 6.5	33.5 x 10	