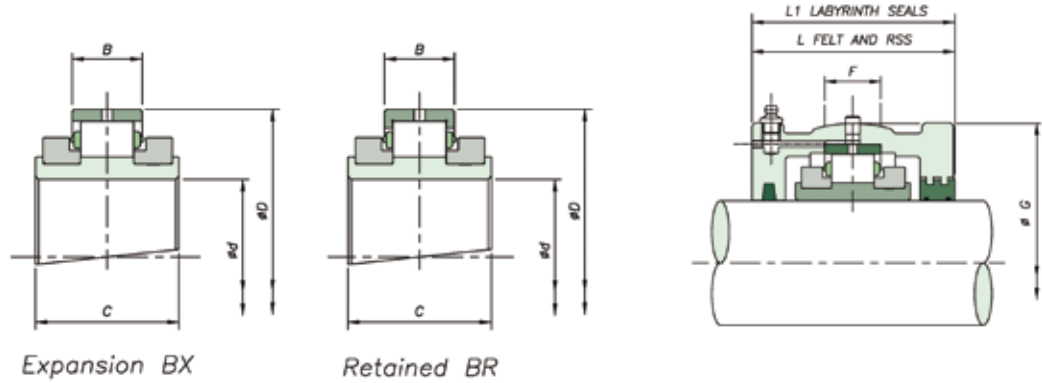


Light Series Bearing & Housing

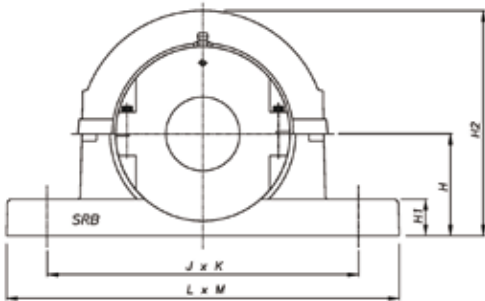
40mm to 150mm



Shaft (d)		Reference		Bearings Ratings					Housing Reference							
mm	inch	Add BR for retained Add BX for expansion e.g. LSM35BR		Dynamic C _r (kN/lb)	Static C _{0r} (kN/lb)	Axial C _a (kN/lb)	Max RPM	D	B	C	Add HR for retained Add HX for expansion e.g. LSM35HR	G	F	L	L ₁	
35	1 ³ / ₁₆		LSE103													
	1 ¹ / ₄	LSM35	LSE104	65	68	3.20	5400	84.14	23.80	55.00	LSE103					
40	1 ⁷ / ₁₆	LSM40	LSE107	14613	15287	719.38		3.313	0.937	2.165	LSM35	LSE104	100.00	25	84	86
	1 ¹ / ₂		LSE108								LSM40	LSE107	3.937	1.0	3.3	3.4
45	1 ¹¹ / ₁₆		LSE111													
	1 ³ / ₄	LSM45	LSE112	83	87	3.60	4630	98.42	25.40	60.00		LSE111				
	1 ¹⁵ / ₁₆	LSM50	LSE115	18659	19558	809.30		3.875	1.000	2.362	LSM45	LSE112	117.48	25	96	98
	2		LSE200								LSM50	LSE115	4.625	1.0	3.8	3.9
55	2 ³ / ₁₆		LSE203													
	2 ¹ / ₄	LSM55	LSE204	103	115	5.40	3940	114.30	27.00	60.00		LSE203				
	2 ⁷ / ₁₆	LSM60	LSE207	23155	25853	1213.95		4.500	1.063	2.362	LSM55	LSE204	134.94	32	102	104
	2 ¹ / ₂	LSM65	LSE208								LSM60	LSE207	5.313	1.3	4.0	4.1
70	2 ¹¹ / ₁₆		LSE211													
	2 ³ / ₄	LSM70	LSE212	138	161	7.60	3310	133.35	31.80	65.00		LSE211				
	2 ¹³ / ₁₆	LSM75	LSE215	31024	36194	1708.53		5.250	1.252	2.559	LSM70	LSE212	157.16	38	112	114
	3		LSE300								LSM75	LSE215	6.187	1.5	4.4	4.5
80	3 ³ / ₁₆		LSE303													
	3 ¹ / ₄	LSM80	LSE304	187	231	12.40	2790	152.4	38.90	75.00		LSE303				
	3 ⁷ / ₁₆	LSM85	LSE307	42039	51931	2787.59		6.000	1.531	2.953	LSM80	LSE304	177.80	50	134	136
	3 ¹ / ₂	LSM90	LSE308								LSM85	LSE307	7.000	2.0	5.3	5.4
100	3 ¹¹ / ₁₆		LSE311													
	3 ³ / ₄	LSM100	LSE312	288	366	16.00	2340	174.62	45.30	85.00		LSE311				
	3 ¹³ / ₁₆	LSM105	LSE315	64745	82280	3596.90		6.875	1.783	3.346	LSM100	LSE312	203.20	50	132	134
	4		LSE400								LSM105	LSE315	8.000	2.0	5.2	5.3
110	4 ³ / ₁₆		LSE403													
	4 ¹ / ₄	LSM110	LSE404	316	427	18.60	1970	203.20	46.90	90.00		LSE403				
	4 ⁷ / ₁₆	LSM115	LSE407	71040	95993	4181.39		8.000	1.846	3.543	LSM110	LSE404	231.78	64	140	142
	4 ¹ / ₂		LSE408								LSM115	LSE407	9.125	2.5	5.5	5.6
120	4 ¹¹ / ₁₆		LSE411													
	4 ³ / ₄	LSM120	LSE412	363	496	22.20	1740	222.25	54.00	95.00		LSE411				
	4 ¹⁵ / ₁₆	LSM125	LSE415	81606	111505	4990.69		8.750	2.126	3.740	LSM120	LSE412	266.70	76	154	156
	5	LSM130	LSE500								LSM125	LSE415	10.500	3.0	6.1	6.1
135	5 ³ / ₁₆		LSE503													
	5 ¹ / ₄	LSM135	LSE504	422	585	25.80	1570	241.30	55.60	98.40		LSE503				
	5 ⁷ / ₁₆	LSM140	LSE507	94869	131513	5799.99		9.500	2.189	3.874	LSM135	LSE504	279.40	76	166	168
	5 ¹ / ₂		LSE508								LSM140	LSE507	11.000	3.0	6.5	6.6
150	5 ¹¹ / ₁₆		LSE511													
	5 ³ / ₄	LSM150	LSE512	459	664	29.40	1450	254.00	55.60	98.40		LSE511				
	5 ¹⁵ / ₁₆	LSM155	LSE515	103187	149273	6609.30		10.000	2.189	3.874	LSM150	LSE512	295.28	82	172	174
	6	LSM160A	LSE600								LSM155	LSE515	11.625	3.2	6.8	6.9

Light Series Support

S01 - S10



S01 - S10

Shaft (d)		Support Reference	H	H ₁	H ₂	J x K	L x M	Bolts
mm	inch							
35	1 ³ / ₁₆	S01	60	22	138	180	228 x 60	2 x M12
40	1 ¹ / ₄		2.362	0.9	5.4	7.1	9 x 2.4	
	1 ⁷ / ₁₆							
45	1 ¹¹ / ₁₆	S02	70	25	158	214	270 x 60	2 x M16
50	1 ¹⁵ / ₁₆		2.756	1.0	6.2	8.4	10.6 x 2.4	
	2							
55	2 ¹ / ₁₆	S03	80	32	180	234	280 x 70	2 x M16
60	2 ¹ / ₄		3.150	1.3	7.1	9.2	11 x 2.8	
65	2 ¹ / ₂							
70	2 ¹¹ / ₁₆	S04	95	38	208	270	330 x 76	2 x M20
75	2 ³ / ₄		3.740	1.5	8.2	10.6	13 x 3	
	2 ¹⁵ / ₁₆							
80	3 ¹ / ₁₆	S05	112	44	252	320	380 x 90	2 x M24
85	3 ¹ / ₄		4.409	1.7	9.9	12.6	15 x 3.5	
90	3 ³ / ₁₆							
100	3 ¹¹ / ₁₆	S06	125	52	272	354	420 x 102	2 x M24
105	3 ³ / ₄		4.921	2.0	10.7	13.9	16.5 x 4	
	3 ¹⁵ / ₁₆							
110	4 ³ / ₁₆	S07	143	60	314	392	466 x 120	2 x M24
115	4 ¹ / ₄		5.630	2.4	12.4	15.4	18.3 x 4.7	
	4 ⁷ / ₁₆							
120	4 ¹¹ / ₁₆	S08	162	38	372	450 x 120	508 x 178	4 x M24
125	4 ³ / ₄		6.378	1.5	14.6	17.7 x 4.7	20 x 7	
130	4 ¹⁵ / ₁₆							
135	5 ¹ / ₁₆	S09	181	40	405	482 x 120	558 x 178	4 x M24
140	5 ¹ / ₄		7.126	1.6	15.9	19 x 4.7	22 x 7	
	5 ⁷ / ₁₆							
150	5 ¹¹ / ₁₆	S10	181	40	415	496 x 120	558 x 178	4 x M24
155	5 ³ / ₄		7.126	1.6	16.3	19.5 x 4.7	22 x 7	
160A	5 ¹⁵ / ₁₆							
	6							