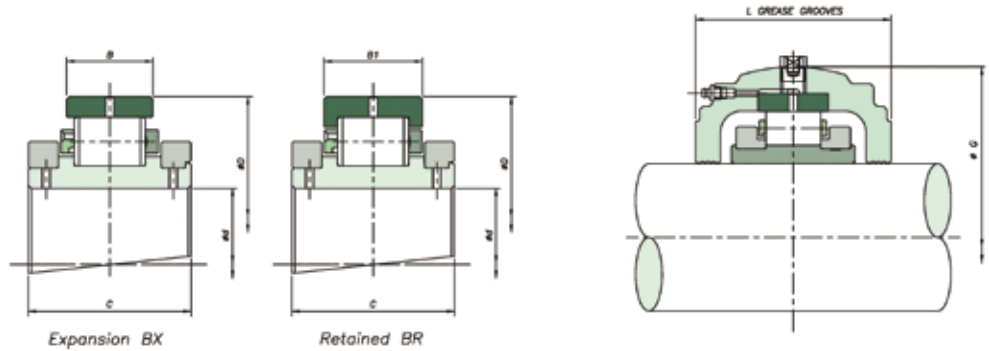


# Heavy Series Bearing & Housing

280mm to 600mm



**Shaft (d) Reference Bearings Ratings**

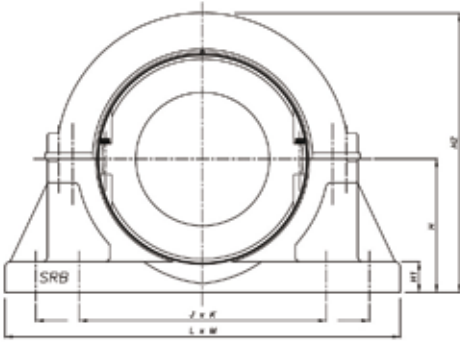
mm	inch	Add BR for retained Add BX for expansion e.g. HSM280BR	Dynamic C <sub>r</sub> (kN/lb)	Static C <sub>0r</sub> (kN/lb)	Axial C <sub>a</sub> (kN/lb)	Max RPM	D	B	C
280	11	HSM280 HSE1100	2202 495029	3507 788405	153.00 34396	620	495.30 19.500	139.70 5.500	244.00 9.606
300	12	HSM300 HSE1200	2337 525379	3650 820553	174.40 39207	560	558.80 22.000	139.70 5.500	244.00 9.606
320	13	HSM320 HSE1300	2718 611031	4093 920143	198.80 44692	500	622.30 24.500	160.40 6.315	272.00 10.709
340	14	HSM340 HSE1400	2935	4973	213.60	460	615.95	158.00	279.00
360		HSM360	659814	1117975	48019		24.250	6.220	10.984
380	15	HSM380 HSE1500	3195	5238	250.80	420	685.80	166.70	292.00
400	16	HSM400 HSE1600	718265	1177550	56382		27.000	6.563	11.496
420	17	HSM420 HSE1700	3582	6377	275.80	360	700.00	160.00	284.00
440		HSM440	805266	1433607	62002		27.559	6.299	11.181
460	18	HSM460 HSE1800	3807	6611	302.40	340	740.00	170.00	294.00
				855848	1486212		67982	29.134	6.693
500	20	HSM500 HSE2000	4660	8183	347.00	310	850.90	187.40	300.00
530	21	HSM530 HSE2100	1047610	1839612	78009		33.500	7.378	11.811
560	22	HSM560 HSE2200	4795	9412	382.60	280	863.60	196.90	310.00
				1077959	2115902		86012	34.000	7.752
580	23	HSM580 HSE2300	4951	9451	400	270	890.00	184.00	310.00
600	24	HSM600 HSE2400	1113029	2124669	89924		35.039	7.244	12.205

**Housing Reference**

Add HR for retained Add HX for expansion e.g. HSM280HR	G	F	L	L <sub>1</sub>
HSM280 HSE1100	571.50 22.500	165 6.5	356 14.0	356 14.0
HSM300 HSE1108	641.40	165	346	370
HSM305 HSE1200	25.252	6.5	13.6	14.6
HSM320 HSE1208	717.60	170	368	-
HSM330 HSE1300	28.252	6.7	14.5	-
HSM340 HSE1400	704.90	196	432	-
HSM350 HSE1400	27.752	7.7	17.0	-
HSM380 HSE1500	774.70	202	400	-
HSM400 HSE1600	30.500	8.0	15.7	-
HSM420 HSE1700	788.00	200	440	-
	31.024	7.9	17.3	-
HSM440 HSE1800	840.00	200	450	-
HSM460 HSE1800	33.071	7.9	17.7	-
HSM500 HSE2000	958.90	204	495	-
HSM530 HSE2100	37.752	8.0	19.5	-
HSM560 HSE2200	958.90	204	490	-
	37.752	8.0	19.3	-
HSM580 HSE2300	990.00	204	490	-
HSM600 HSE2400	38.976	8.0	19.3	-

# Heavy Series Support

## S83 - S95



### S83 - S95

Shaft (d)		Support Reference	H	H <sub>1</sub>	H <sub>2</sub>	J x K	L x M	Bolts
mm	inch							
280	11	S83	368 14.488	70 2.8	785 30.9	742 & 502 x 178 29.2 & 19.8 x 7	940 x 280 37 x 11	8 x M36
300	12	S65	457 17.992	76 3.0	915 36.0	876 & 674 x 330 34.5 & 26.5 x 13	1092 x 420 43 x 16.5	8 x M36
320	13	S66	518 20.394	80 3.1	1035 40.7	978 & 762 x 266 38.5 & 30 x 10.5	1194 x 356 47 x 14	8 x M36
340	14	S86	470	82	1000	928 & 660 x 190	1220 x 318	8 x M42
360			18.504	3.2	39.4	36.5 & 26 x 7.5	48 x 12.5	
380	15	S68	559	92	1120	1036 & 806 x 292	1270 x 394	8 x M42
400	16		22.008	3.6	44.1	40.8 & 31.7 x 11.5	50 x 15.5	
420	17	S89	508	90	1075	990 & 690 x 210	1270 x 360	8 x M48
440			20.000	3.5	42.3	39 & 27.2 x 8.3	50 x 14.2	
460	18	S90	550 21.654	95 3.7	1165 45.9	1080 & 780 x 220 42.5 & 30.7 x 8.7	1370 x 380 53.9 x 15	8 x M48
500	20	S94	622	102	1340	1270 & 940 x 242	1600 x 406	8 x M56
530	21		24.488	4.0	52.8	50 & 37 x 9.5	63 x 16	
560	22	S94	622 24.488	102 4.0	1340 52.8	1270 & 940 x 242 50 & 37 x 9.5	1600 x 406 63 x 16	8 x M56
580	23	S95	622	102	1340	1270 & 940 x 242	1600 x 406	8 x M56
600	24		24.488	4.0	52.8	50 & 37 x 9.5	63 x 16	