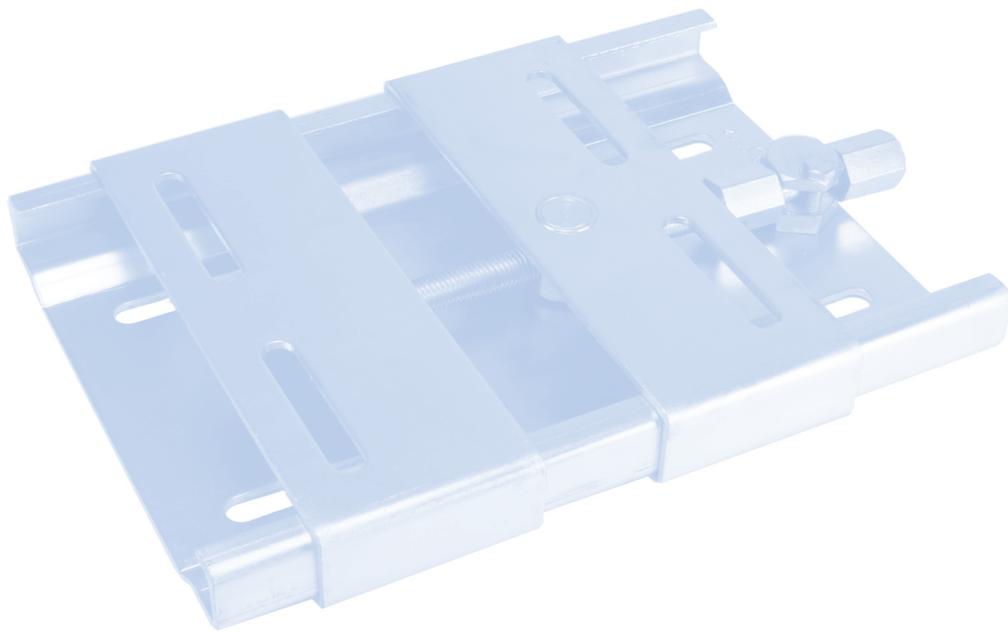


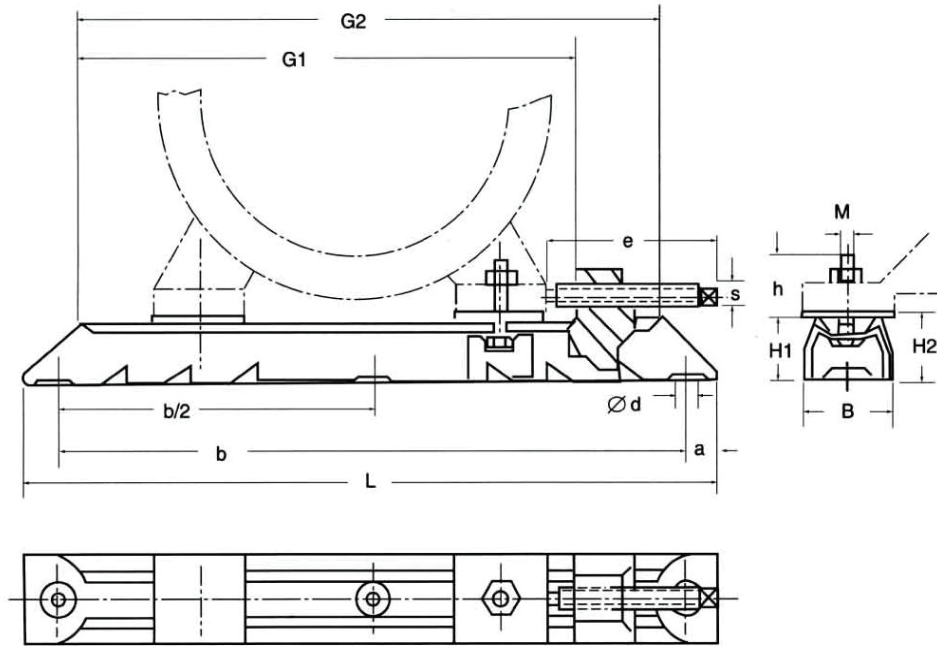
**MEDWAY®**  
Power Transmission

# Motor Bases

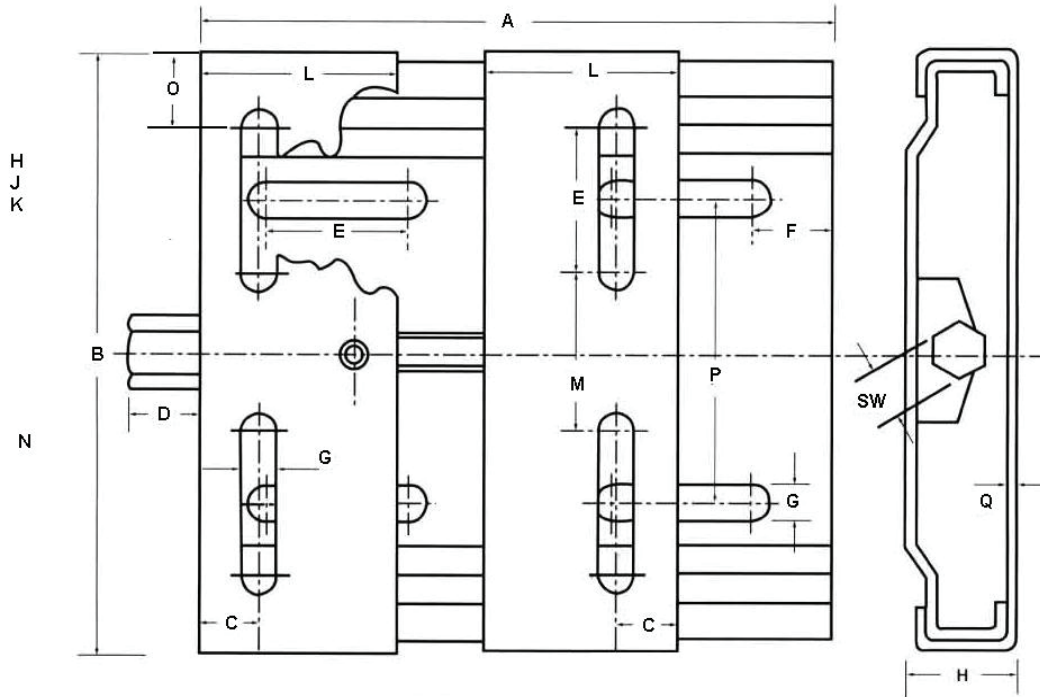


**MEDWAY (UK) LIMITED**

M.P.T. HOUSE BRUNSWICK ROAD COBBS WOOD INDUSTRIAL ESTATE ASHFORD KENT TN23 1EL U.K.  
☎ +44 (0) 1233 663340 📠 +44 (0) 1233 664440 ✉ sales@medway-uk.com 🌐 medway-uk.com



Type	L	G1	Motor	MXh	exs	G2	a	b	b/2	φd	B	H1	H2	Wt. (kg)
<b>With movable blocks</b>														
312/6	312	240	63/71	M6X19	75X6	262	16	280		12	40	28	30	1.4
312/8	312	240	80/90	M8X27	75X6	262	16	280		12	40	28	30	1.5
375/6	375	305	63/71	M6X19	75X6	325	16	343		12	40	28	30	1.5
375/8	375	305	80/90	M8X27	75X6	325	16	343		12	40	28	30	1.6
375/10	375	305	100/112	M10X32	75X6	325	16	343		12	40	28	30	1.6
395/8	395	302	80/90	M8X28	97X8	325	20	355		12	50	40	43	3.4
395/10	395	302	100/112	M10X35	97X8	325	20	355		12	50	40	43	3.4
495/8	495	405	80/90	M8X29	97X8	425	20	455		12	50	40	43	4.0
495/10	495	405	100/112/132	M10X35	97X8	425	20	455		12	50	40	43	4.0
495/12	495	405	160	M12X49	97X8	425	20	455		12	50	40	43	4.0
530/10	530	413	132	M10X37	119X9	442	25	480		14	60	50	54	6.4
530/12	530	413	160	M12X49	119X9	442	25	480		14	60	50	54	6.4
630/10	630	515	132	M10X37	119X9	542	25	580		14	60	50	54	8.2
630/12	630	515	160/180	M12X45	119X9	542	25	580		14	60	50	54	8.2
686/12	686	538	160/180	M12X43	154X12	575	28	630	315	18	75	60	64	12.8
686/16	686	538	200/225	M16X62	154X12	575	28	630	315	18	75	60	64	12.8
<b>With welded blocks</b>														
864/16	864	700	200/225	M16X60	300X16	810	32	800	400	24	90	75		16.6
864/20	864	700	250/280	M20X68	300X16	810	32	800	400	24	90	75		16.6
1072/20	1072	865	250/280	M20X77	360X19	995	36	1000	500	30	112	100		33.4
1072/24	1072	865	315	M24X88	360X19	995	36	1000	500	30	112	100		33.5
1330/24	1330	1065	315/355	M24X95	430X21	1215	40	1250	625	30	130	125		56.6



Type-A	B	C	D	E	F	G	H	L	M	O	P	SW	Q	Wt.kg
210	195	20	24	50.0	25	10.5	33	70	43	26.0	98	19	3	2.6
270	195	20	24	50.0	25	10.5	33	70	43	26.0	98	19	3	3.0
307	213	20	24	50.0	25	10.5	33	70	65	24.0	108	19	3	3.2
340	290	27	27	62.0	30	12.5	40	95	90	38.0	165	22	4	6.3
380	240	27	24	43.0	30	12.0	33	95	96	29.0	160	22	4	4.5
430	290	27	27	62.0	29	12.5	40	95	90	38.0	165	22	4	7.5
450	350	40	24	55.0	30	15.0	40	125	174	33.0	225	22	4	9.7
490	410	40	27	60.0	30	15.0	40	95	193	48.5	284	22	4	10.8

Type	Installation size									G.W. (kg)
	63	71	80	90	100	112	132	160	180	
210	70	85								2.2
210			45							2.2
270	130	118								2.8
270			105	90						2.8
340				146						7.0
340					126	96	70			7.0
430					236					7.5
430						216	186	160		7.5
430								122		7.5
490								156	131	10.8