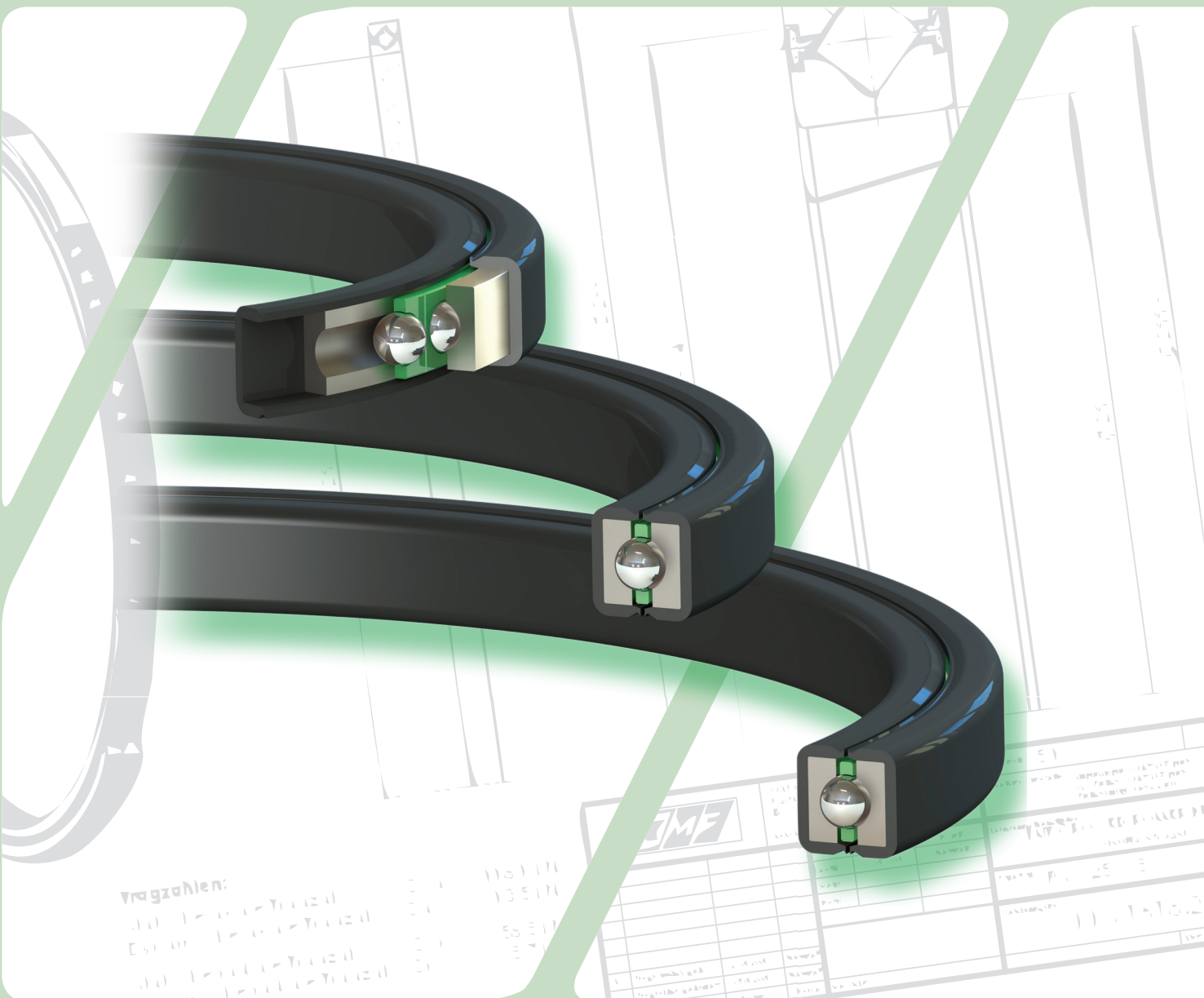


Whisper thin ring bearing  
PFXD



### **Description of shape**

The Whisper-Thin ring bearing consists of a thin ring bearing type series PBXD, which is covered on the outer and inner ring with an sheath with a hardness of 70 Shore.

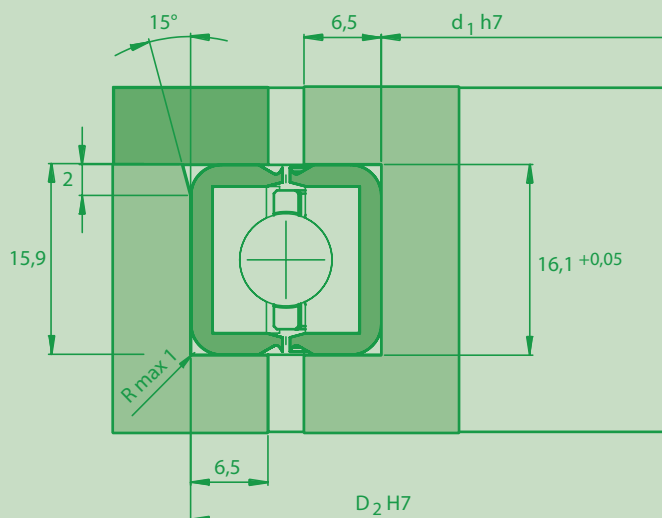
### **Operating conditions**

The temperature limits of the standard bearing in continuous operation are -40°C and +80°C. This Whisper-Thin ring bearing has more outstanding features.

### **Features**

- Low operating noise
- Low impact sound
- Insusceptible to shock
- Bearing clearance adjustable, due to the splitted bearing rings and elastomer sheath
- Large installation tolerances on the connecting parts
- The raceway system is protected from rough contamination due to reduction of the bearing gap

Fitted dimensions



Bearing dimensions

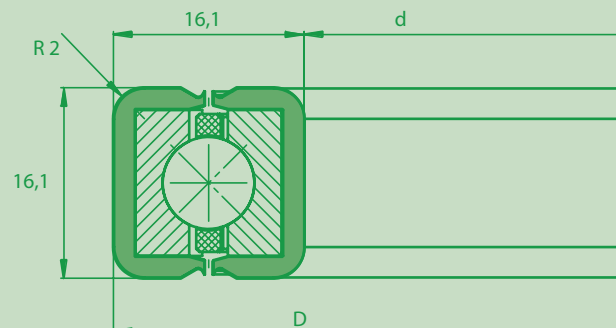


Table of dimensions (Type series PFXD)

KMF-type <sup>1)</sup>	Bearing-dimension		Fitted dimensions		Basic load ratings				Mass kg	Limiting speeds n <sub>G grease</sub> min <sup>-1</sup>
					Axial		Radial			
	d	D	d <sub>1</sub>	D <sub>2</sub>	Dyn.	Stat.	Dyn.	Stat.		
	mm	mm	mm	mm	C <sub>a</sub> kN	C <sub>oa</sub> kN	C <sub>r</sub> kN	C <sub>or</sub> kN		
PFXD 070	174,40	206,60	174,4	205,8	20,4	93,6	18,5	37,4	0,623	860
PFXD 075	187,10	219,30	187,1	218,5	21,0	100,8	19,1	40,5	0,668	800
PFXD 080	199,80	232,00	199,8	231,2	21,4	107,1	19,4	42,8	0,714	750
PFXD 085	212,50	244,70	212,5	243,9	21,8	113,4	19,8	45,0	0,759	710
PFXD 090	225,20	257,40	225,2	256,6	22,4	121,5	20,3	48,6	0,804	670
PFXD 095	237,90	270,10	237,9	269,3	23,0	126,9	20,6	51,3	0,850	630
PFXD 100	250,60	282,80	250,6	282,0	23,0	133,2	21,0	53,1	0,895	600
PFXD 105	263,30	295,50	263,3	294,7	23,9	141,3	21,5	56,7	0,940	570
PFXD 110	276,00	308,20	276,0	307,4	23,9	146,7	21,8	58,5	0,985	550
PFXD 115	288,70	320,90	288,7	320,1	24,3	153,0	22,1	61,2	1,030	520



KMF-type <sup>1)</sup>	Bearing-dimension		Fitted dimensions		Basic load ratings				Mass	Limiting speeds
					Axial		Radial			
	d	D	d <sub>1</sub>	D <sub>2</sub>	Dyn.	Stat.	Dyn.	Stat.		n <sub>G grease</sub>
	mm	mm	mm	mm	C <sub>a</sub>	C <sub>oa</sub>	C <sub>r</sub>	C <sub>or</sub>		
PFXD 120	301,40	333,60	301,40	332,80	24,8	161,1	22,5	64,8	1,075	500
PFXD 130	326,80	359,00	326,80	358,20	25,7	172,8	22,7	69,3	1,164	460
PFXD 140	352,20	384,40	352,20	383,60	26,1	187,2	23,9	74,7	1,253	430
PFXD 150	377,60	409,80	377,60	409,00	27,0	200,7	24,3	80,1	1,343	400
PFXD 160	403,00	435,20	403,00	434,40	27,5	213,3	24,3	85,5	1,433	380
PFXD 170	428,40	460,60	428,40	459,80	28,4	225,0	25,7	90,9	1,522	350
PFXD 180	453,80	486,00	453,80	485,20	28,8	243,0	26,1	96,3	1,612	330
PFXD 190	479,20	511,40	479,20	510,60	29,3	252,0	26,6	100,8	1,702	320
PFXD 200	504,60	536,80	504,60	536,00	29,7	265,5	27,0	107,1	1,791	300
PFXD 210	530,00	562,20	530,00	561,40	30,2	279,0	27,5	111,6	1,881	290
PFXD 220	555,40	587,60	555,40	586,80	31,1	292,5	27,9	117,0	1,970	270
PFXD 230	580,80	613,00	580,80	612,20	31,1	306,0	28,4	122,4	2,060	260
PFXD 240	606,20	638,40	606,20	637,60	32,0	319,5	28,8	127,8	2,150	250
PFXD 250	631,60	663,80	631,60	663,00	32,4	333,0	29,3	133,2	2,239	240
PFXD 260	657,00	689,20	657,00	688,40	32,9	346,5	29,7	138,6	2,329	230
PFXD 270	682,40	714,60	682,40	713,80	33,3	360,0	30,2	143,1	2,418	220
PFXD 280	707,80	740,00	707,80	739,20	33,8	373,5	30,6	149,4	2,508	210
PFXD 290	733,20	765,40	733,20	764,60	34,2	387,0	31,1	154,8	2,597	210
PFXD 300	758,60	790,80	758,60	790,00	34,7	400,5	31,1	159,3	2,687	200
PFXD 310	784,00	816,20	784,00	815,40	35,1	414,0	31,5	164,7	2,776	190
PFXD 320	809,40	841,60	809,40	840,80	35,6	427,5	32,0	171,0	2,866	190
PFXD 330	834,80	867,00	834,80	866,20	35,6	436,5	32,4	175,5	2,956	180
PFXD 340	860,20	892,40	860,20	891,60	36,0	450,0	32,9	180,9	3,045	180
PFXD 400	1012,60	1044,80	1012,60	1044,00	39,0	529,5	35,7	213,4	3,596	155
PFXD 405	1025,30	1057,50	1025,30	1056,70	39,3	536,0	35,9	216,0	3,641	150
PFXD 417	1057,05	1089,25	1057,05	1088,45	39,9	552,5	36,5	222,7	3,754	145
PFXD 420	1063,40	1095,60	1063,40	1094,80	40,0	556,0	36,6	224,0	3,776	140

1) Other dimensions on request