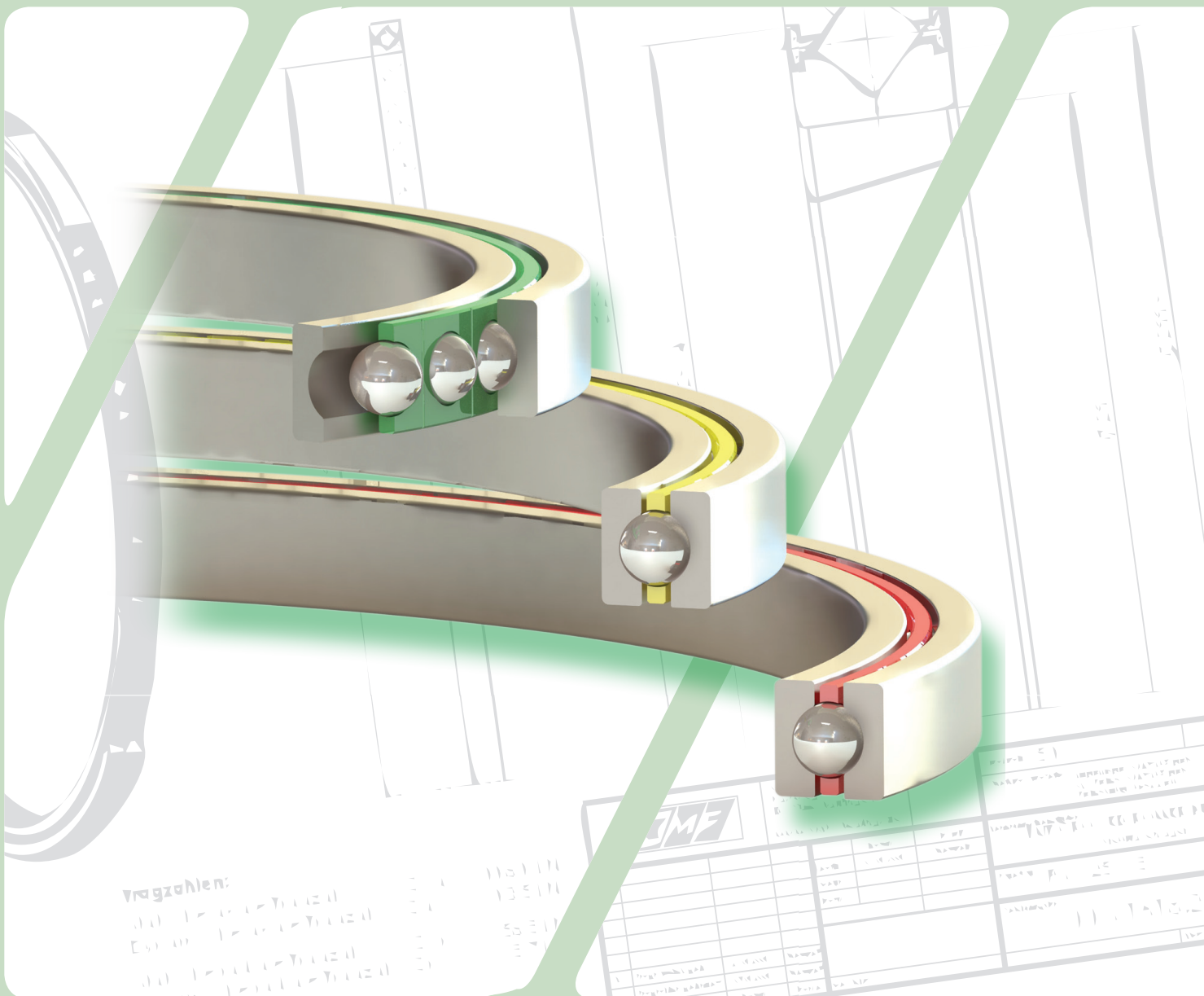
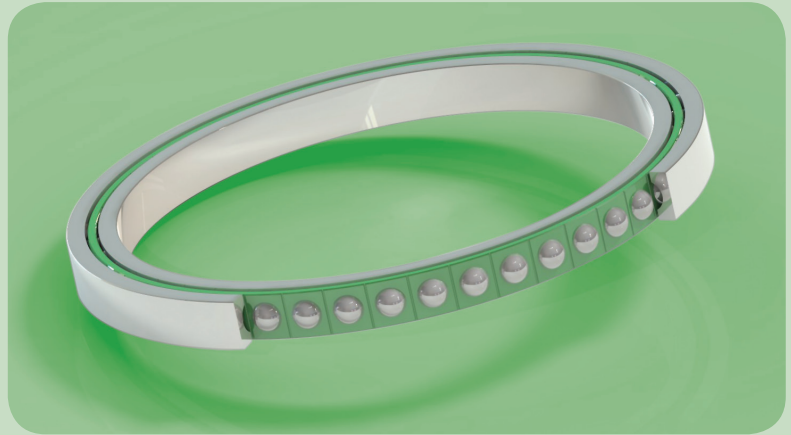
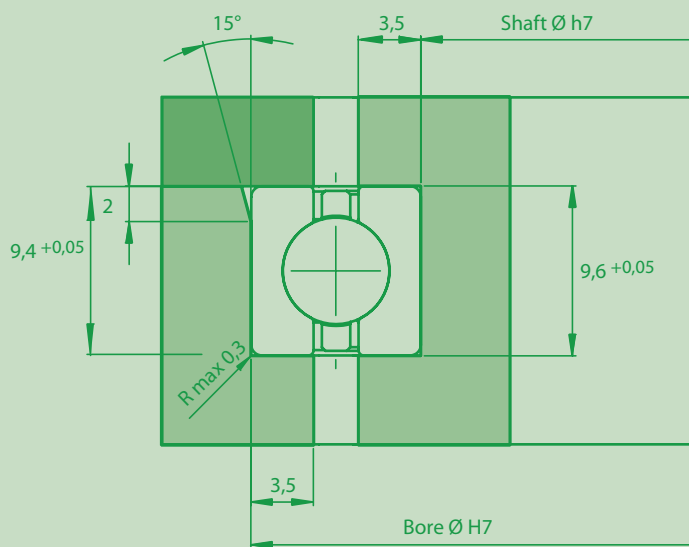
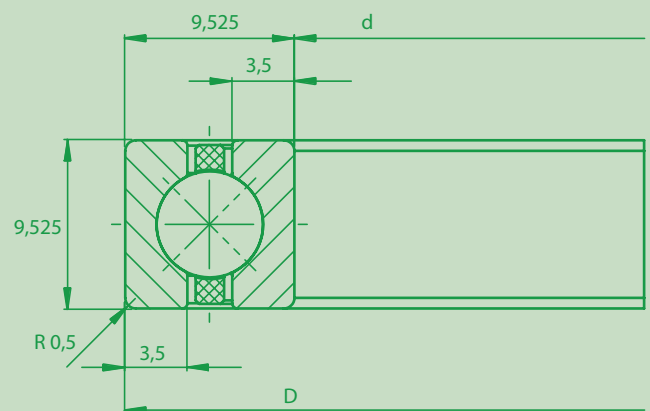


Thin ring bearing PBXC



Fitted dimensions

Bearing dimensions

Table of dimensions (Type series PBXC)

KMF-type ¹⁾	Bearing dimension			Basic load ratings				Mass kg	Limiting speeds min ⁻¹
				Axial		Radial			
	d		D	Dyn.	Stat.	Dyn.	Stat.		
	mm	inch	mm	C _a kN	C _{oa} kN	C _r kN	C _{or} kN		
PBXC 040	101,60	4	120,65	9,30	37,0	8,50	14,7	0,18	1500
PBXC 042	107,95	4 ¼	127,00	9,60	39,5	8,70	15,8	0,19	1410
PBXC 045	114,30	4 ½	133,35	9,70	41,0	8,80	16,5	0,20	1340
PBXC 047	120,65	4 ¾	139,70	10,00	44,0	9,00	17,5	0,21	1270
PBXC 050	127,00	5	146,05	10,10	45,5	9,10	18,2	0,22	1200
PBXC 055	139,70	5 ½	158,75	10,60	51,0	9,60	20,3	0,24	1090
PBXC 060	152,40	6	171,45	10,90	55,0	9,80	22,1	0,26	1000
PBXC 065	165,10	6 ½	184,15	11,20	60,0	10,10	23,9	0,28	920
PBXC 070	177,80	7	196,85	11,50	64,0	10,40	25,5	0,30	860
PBXC 075	190,50	7 ½	209,55	11,70	68,0	10,60	27,5	0,32	800
PBXC 080	203,20	8	222,25	12,00	73,0	10,90	29,0	0,34	750
PBXC 085	215,90	8 ½	234,95	12,20	77,0	11,10	31,0	0,36	710
PBXC 090	228,60	9	247,65	12,50	82,0	11,30	32,5	0,38	670
PBXC 095	241,30	9 ½	260,35	12,80	87,0	11,60	35,0	0,39	630
PBXC 100	254,00	10	273,05	13,00	91,0	11,80	36,5	0,41	600
PBXC 105	266,70	10 ½	285,75	13,30	96,0	12,00	38,5	0,43	570
PBXC 110	279,40	11	298,45	13,50	100,0	12,20	40,0	0,45	550
PBXC 115	292,10	11 ½	311,15	13,70	105,0	12,40	42,0	0,47	520

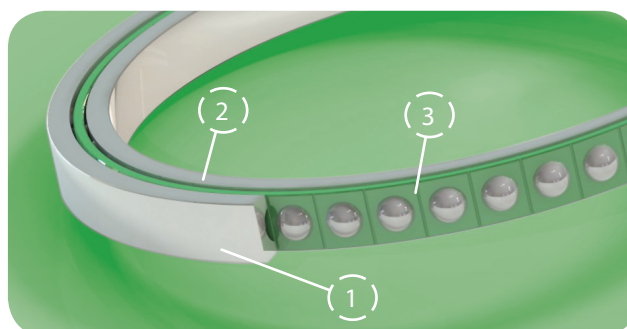


KMF-type ¹⁾	Bearing dimension			Basic load ratings				Mass	Limiting speeds
				Axial		Radial			
	d		D	Dyn.	Stat.	Dyn.	Stat.		n _{G grease}
	mm	inch	mm	C _a	C _{oa}	C _r	C _{or}		
PBXC 120	304,80	12	323,85	13,90	109,0	12,60	43,5	0,49	500
PBXC 130	330,20	13	349,25	14,30	118,0	12,90	47,0	0,53	460
PBXC 140	355,60	14	374,65	14,70	127,0	13,30	51,0	0,56	430
PBXC 150	381,00	15	400,05	15,10	136,0	13,60	54,0	0,60	400
PBXC 160	406,40	16	425,45	15,40	145,0	13,90	58,0	0,64	380
PBXC 170	431,80	17	450,85	15,70	154,0	14,20	62,0	0,68	350
PBXC 180	457,20	18	476,25	16,10	163,0	14,50	65,0	0,72	330
PBXC 190	482,60	19	501,65	16,40	172,0	14,80	69,0	0,76	320
PBXC 200	508,00	20	527,05	16,70	181,0	15,10	72,0	0,79	300
PBXC 210	533,40	21	552,45	17,00	190,0	15,40	76,0	0,83	290
PBXC 220	558,80	22	577,85	17,30	199,0	15,60	79,0	0,87	270
PBXC 230	584,20	23	603,25	17,60	208,0	15,90	83,0	0,91	260
PBXC 240	609,60	24	628,65	17,90	217,0	16,10	87,0	0,95	250
PBXC 250	635,00	25	654,05	18,10	226,0	16,40	90,0	0,98	240
PBXC 260	660,40	26	679,45	18,40	235,0	16,60	94,0	1,02	230
PBXC 270	685,80	27	704,85	18,70	245,0	16,90	98,0	1,06	220
PBXC 280	711,20	28	730,25	18,90	255,0	17,10	101,0	1,10	210
PBXC 290	736,60	29	755,65	19,10	260,0	17,30	105,0	1,14	210
PBXC 300	762,00	30	781,05	19,30	270,0	17,50	108,0	1,18	200
PBXC 310	787,40	31	806,45	19,60	280,0	17,70	112,0	1,22	190
PBXC 320	812,80	32	831,85	19,80	290,0	17,90	116,0	1,26	190
PBXC 330	838,20	33	857,25	20,00	300,0	18,10	119,0	1,30	180
PBXC 340	863,60	34	882,65	20,30	305,0	18,50	123,0	1,34	180

1) Other dimensions on request

Component parts PBXC

- (1) Bearing outer ring
Conformed Raceway
- (2) Bearing inner ring
Conformed Raceway
- (3) Cage strip with balls
Balls held and guided



Manufacturer comparative list

	Bearing dimension							
	KMF-type	d	D					
	mm	inch	mm					
PBXC 040	101,60	4	120,65	KC040XPO	L18SA400T	FPXC400	CSXC040	---
PBXC 042	107,95	4 ¼	127,00	KC042XPO	L18SA404T	FPXC404	CSXC042	---
PBXC 045	114,30	4 ½	133,35	KC045XPO	L18SA408T	FPXC408	CSXC045	---
PBXC 047	120,65	4 ¾	139,70	KC047XPO	L18SA412T	FPXC412	CSXC047	LFC 4,75
PBXC 050	127,00	5	146,05	KC050XPO	L18SA500T	FPXC500	CSXC050	LFC 5
PBXC 055	139,70	5 ½	158,75	KC055XPO	L18SA508YH	FPXC508	CSXC055	LFC 5,5
PBXC 060	152,40	6	171,45	KC060XPO	L18SA600YH	FPXC600	CSXC060	LFC 6
PBXC 065	165,10	6 ½	184,15	KC065XPO	L18SA608YH	FPXC608	CSXC065	LFC 6,5
PBXC 070	177,80	7	196,85	KC070XPO	L18SA700YH	FPXC700	CSXC070	LFC 7
PBXC 075	190,50	7 ½	209,55	KC075XPO	L18SA708YH	FPXC708	CSXC075	LFC 7,5
PBXC 080	203,20	8	222,25	KC080XPO	L18SA800YH	FPXC800	CSXC080	LFC 8
PBXC 085	215,90	8 ½	234,95	---	---	---	---	---
PBXC 090	228,60	9	247,65	KC090XPO	L18SA900YH	FPXC900	CSXC090	LFC 9
PBXC 095	241,30	9 ½	260,35	---	---	---	---	---
PBXC 100	254,00	10	273,05	KC100XPO	L18SA1000YH	FPXC1000	CSXC100	LFC 10
PBXC 105	266,70	10 ½	285,75	---	---	---	---	---
PBXC 110	279,40	11	298,45	KC110XPO	L18SA1100YH	FPXC1100	CSXC110	LFC 11
PBXC 115	292,10	11 ½	311,15	---	---	---	---	---
PBXC 120	304,80	12	323,85	KC120XPO	L18SA1200YH	FPXC1200	CSXC120	LFC 12
PBXC 130	330,20	13	349,25	---	---	---	---	---
PBXC 140	355,60	14	374,65	KC140XPO	---	FPXC1400	CSXC140	LFC 14
PBXC 150	381,00	15	400,05	---	---	---	---	---
PBXC 160	406,40	16	425,45	KC160XPO	---	FPXC1600	CSXC160	LFC 16
PBXC 170	431,80	17	450,85	---	---	---	---	---
PBXC 180	457,20	18	476,25	KC180XPO	---	FPXC1800	CSXC180	LFC 18
PBXC 190	482,60	19	501,65	---	---	---	---	---
PBXC 200	508,00	20	527,05	KC200XPO	---	FPXC2000	CSXC200	LFC 20
↪ 250	635,00	25	654,05	KC250XPO	---	FPXC2500	CSXC250	LFC 25
↪ 300	762,00	30	781,05	KC300XPO	---	FPXC3000	CSXC300	---
↪ 250	863,60	34	882,65	---	---	---	---	---

↪ For this KMF-type series (Steps of 10) no types of other manufacturers do exist