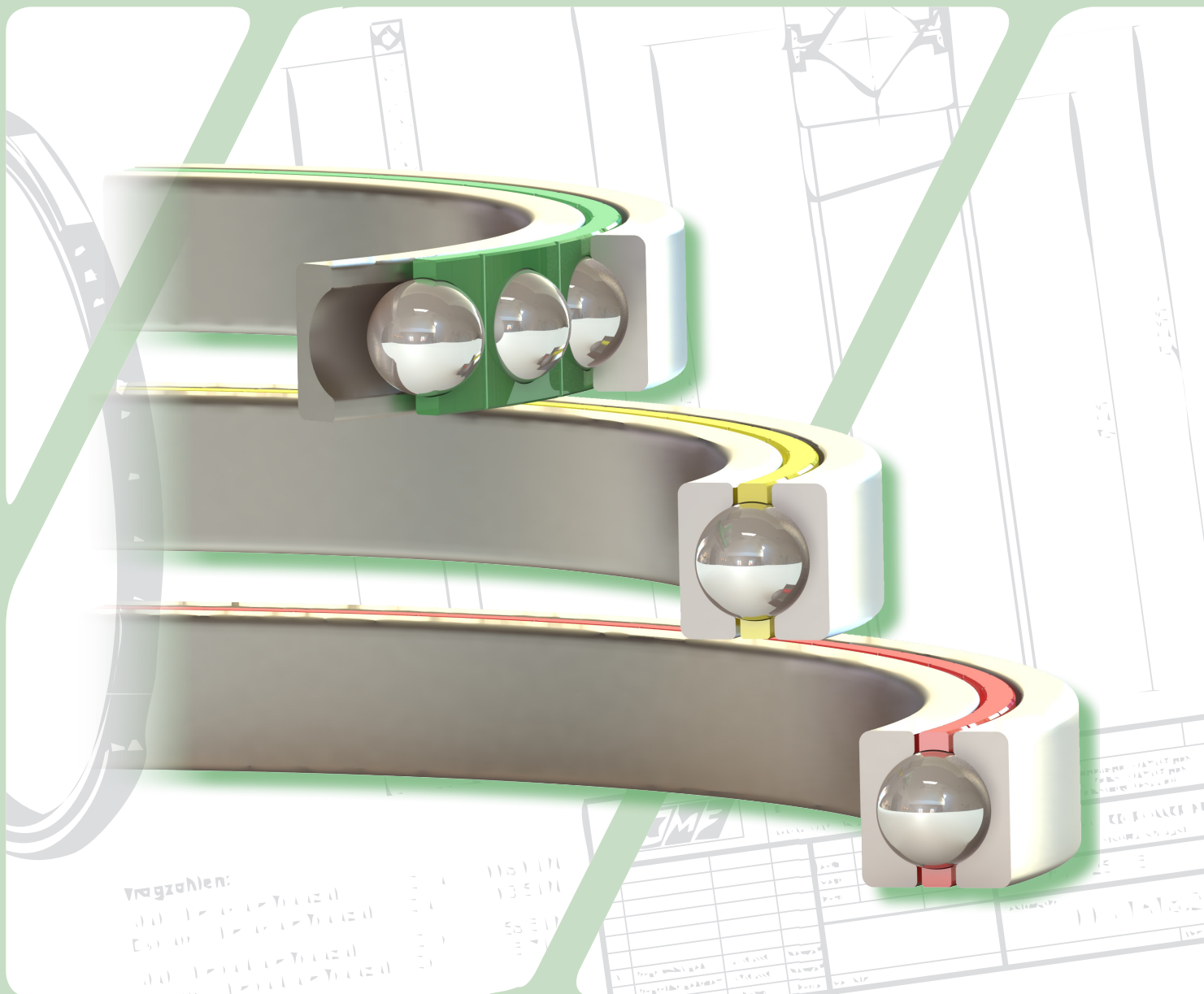
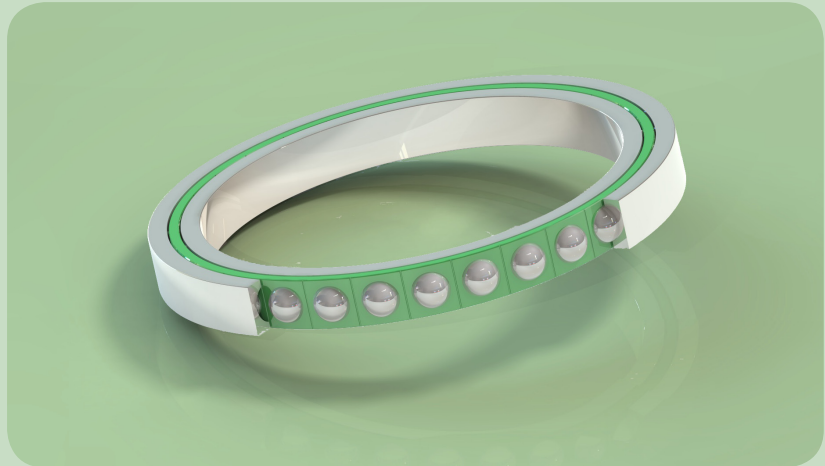
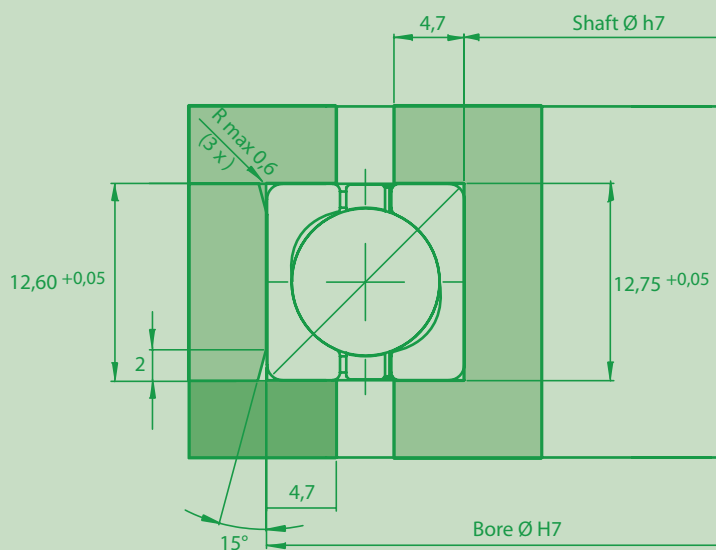


Thin ring bearing PBSB



Fitted dimensions



Bearing dimensions

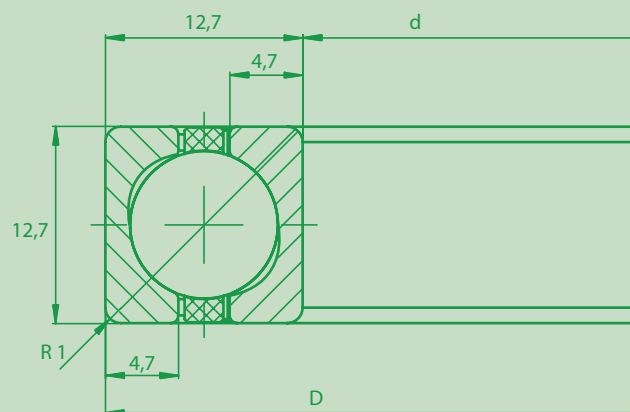


Table of dimensions (Type series PBSD)

KMF-type ¹⁾	Bearing dimension			Basic load ratings				Mass	Limiting speeds
				Axial		Radial			
	d		D	Dyn.	Stat.	Dyn.	Stat.		n _{G grease}
	mm	inch	mm	C _a	C _{oa}	C _r ²⁾	C _{or} ²⁾		
			kN	kN	kN	kN	kg	min ⁻¹	
PBSD 040	101,60	4	127,00	19,3	59,0	10,2	11,9	0,334	3300
PBSD 042	107,95	4 ¼	133,35	19,9	64,0	10,5	12,7	0,353	3100
PBSD 045	114,30	4 ½	139,70	20,5	68,0	10,8	13,6	0,371	2930
PBSD 047	120,65	4 ¾	146,05	20,6	70,0	10,9	14,1	0,390	2780
PBSD 050	127,00	5	152,40	21,2	75,0	11,2	15,0	0,408	2640
PBSD 055	139,70	5 ½	165,10	21,8	81,0	11,5	16,3	0,445	2400
PBSD 060	152,40	6	177,80	22,7	90,0	12,0	18,1	0,482	2200
PBSD 065	165,10	6 ½	190,50	23,3	97,0	12,3	19,4	0,519	2030
PBSD 070	177,80	7	203,20	23,8	104,0	12,6	20,7	0,557	1880
PBSD 075	190,50	7 ½	215,90	24,6	112,0	13,0	22,5	0,594	1760
PBSD 080	203,20	8	228,60	25,0	119,0	13,2	23,8	0,631	1650
PBSD 085	215,90	8 ½	241,30	25,5	126,0	13,5	25,0	0,668	1550
PBSD 090	228,60	9	254,00	26,5	135,0	13,9	27,0	0,705	1470
PBSD 095	241,30	9 ½	266,70	26,5	141,0	14,1	28,5	0,742	1390
PBSD 100	254,00	10	279,40	27,0	148,0	14,3	29,5	0,779	1320
PBSD 105	266,70	10 ½	292,10	28,0	157,0	14,7	31,5	0,816	1260



KMF-type ¹⁾	Bearing dimension			Basic load ratings				Mass	Limiting speeds
				Axial		Radial			
	d		D	Dyn.	Stat.	Dyn.	Stat.		n _{G grease}
	mm	inch	mm	C _a	C _{oa}	C _r	C _{or}		
PBSD 110	279,40	11	304,80	28,0	163,0	14,9	32,5	0,853	1200
PBSD 115	292,10	11 ½	317,50	28,5	170,0	15,1	34,0	0,891	1150
PBSD 120	304,80	12	330,20	29,0	179,0	15,4	36,0	0,928	1100
PBSD 130	330,20	13	355,60	30,0	192,0	15,7	38,5	1,002	1010
PBSD 140	355,60	14	381,00	30,5	208,0	16,2	41,5	1,076	940
PBSD 150	381,00	15	406,40	31,5	223,0	16,6	44,5	1,150	880
PBSD 160	406,40	16	431,80	32,0	237,0	17,0	47,5	1,225	820
PBSD 170	431,80	17	457,20	33,0	250,0	17,4	50,0	1,299	780
PBSD 180	457,20	18	482,60	33,5	270,0	17,8	54,0	1,373	730
PBSD 190	482,60	19	508,00	34,5	280,0	18,1	56,0	1,447	690
PBSD 200	508,00	20	533,40	35,0	295,0	18,4	59,0	1,521	660
PBSD 210	533,40	21	558,80	35,5	310,0	18,7	62,0	1,596	630
PBSD 220	558,80	22	584,20	36,0	325,0	19,0	65,0	1,670	600
PBSD 230	584,20	23	609,60	37,0	340,0	19,4	68,0	1,744	570
PBSD 240	609,60	24	635,00	37,5	355,0	19,6	71,0	1,818	550
PBSD 250	635,00	25	660,40	38,0	370,0	19,9	74,0	1,892	530
PBSD 260	660,40	26	685,80	38,5	385,0	20,3	77,0	1,967	510
PBSD 270	685,80	27	711,20	39,0	400,0	20,5	80,0	2,041	490
PBSD 280	711,20	28	736,60	39,5	415,0	20,8	83,0	2,115	470
PBSD 290	736,60	29	762,00	40,0	430,0	21,1	86,0	2,189	450
PBSD 300	762,00	30	787,40	40,5	445,0	21,3	89,0	2,264	440
PBSD 310	787,40	31	812,80	41,0	460,0	21,6	92,0	2,338	430
PBSD 320	812,80	32	838,20	41,5	475,0	21,8	95,0	2,412	410
PBSD 330	838,20	33	863,60	42,0	485,0	22,0	97,0	2,486	400
PBSD 340	863,60	34	889,00	42,5	500,0	22,3	101,0	2,560	390
PBSD 400	1016,00	40	1041,40	46,1	588,0	24,2	119,0	3,012	330
PBSD 405	1028,70	40 ½	1054,10	46,4	596,0	24,3	120,5	3,049	330
PBSD 417	1060,45	41 ¾	1085,85	47,1	614,0	24,7	124,0	3,143	320
PBSD 420	1066,80	42	1092,20	47,3	618,0	24,8	125,0	3,162	315

1) Other dimensions on request

 2) With in pairs arranged camps is valid: C_{or} x 2 und C_r x 1,625

Manufacturer comparative list

	Bearing dimension							
	KMF-type	d	D					
	mm	inch	mm					
PBSD 040	101,60	4	127,00	KD 040 ARO	L15TA 400YP	FPAD 400	CSAD 040	----
PBSD 042	107,95	4 ¼	133,35	KD 042 ARO	L15TA 404YP	FPAD 404	CSAD 042	----
PBSD 045	114,30	4 ½	139,70	KD 045 ARO	L15TA 408YP	FPAD 408	CSAD 045	----
PBSD 047	120,65	4 ¾	146,05	KD 047 ARO	L15TA 412YP	FPAD 412	CSAD 047	----
PBSD 050	127,00	5	152,40	KD 050 ARO	L15TA 500YP	FPAD 500	CSAD 050	----
PBSD 055	139,70	5 ½	165,10	KD 055 ARO	L15TA 508YP	FPAD 508	CSAD 055	----
PBSD 060	152,40	6	177,80	KD 060 ARO	L15TA 600YP	FPAD 600	CSAD 060	----
PBSD 065	165,10	6 ½	190,50	KD 065 ARO	L15TA 608YP	FPAD 608	CSAD 065	----
PBSD 070	177,80	7	203,20	KD 070 ARO	L15TA 700YP	FPAD 700	CSAD 070	----
PBSD 075	190,50	7 ½	215,90	KD 075 ARO	L15TA 708YP	FPAD 708	CSAD 075	----
PBSD 080	203,20	8	228,60	KD 080 ARO	L15TA 800YP	FPAD 800	CSAD 080	----
PBSD 085	215,90	8 ½	241,30	----	----	----	----	----
PBSD 090	228,60	9	254,00	KD 090 ARO	L15TA 900YP	FPAD 900	CSAD 090	----
PBSD 095	241,30	9 ½	266,70	----	----	----	----	----
PBSD 100	254,00	10	279,40	KD 100 ARO	----	FPAD 1000	CSAD 100	----
PBSD 105	266,70	10 ½	292,10	----	----	----	----	----
PBSD 110	279,40	11	304,80	KD 110 ARO	----	FPAD 1100	CSAD 110	----
PBSD 115	292,10	11 ½	317,50	----	----	----	----	----
PBSD 120	304,80	12	330,20	KD 120 ARO	----	FPAD 1200	CSAD 120	----
PBSD 130	330,20	13	355,60	----	----	----	----	----
PBSD 140	355,60	14	381,00	KD 140 ARO	----	FPAD 1400	CSAD 140	----
PBSD 150	381,00	15	406,40	----	----	----	----	----
PBSD 160	406,40	16	431,80	KD 160 ARO	----	FPAD 1600	CSAD 160	----
PBSD 170	431,80	17	457,20	----	----	----	----	----
PBSD 180	457,20	18	482,60	KD 180 ARO	----	FPAD 1800	CSAD 180	----
PBSD 190	482,60	19	508,00	----	----	----	----	----
PBSD 200	508,00	20	533,40	KD 200 ARO	----	FPAD 2000	CSAD 200	----
↪ 250	635,00	25	660,40	KD 250 ARO	----	FPAD 2500	CSAD 250	----
↪ 300	762,00	30	787,40	KD 300 ARO	----	FPAD 3000	CSAD 300	----
↪ 340	863,60	34	889,00	----	----	----	----	----

↪ For this KMF-type series (Steps of 10) no types of other manufacturers do exist