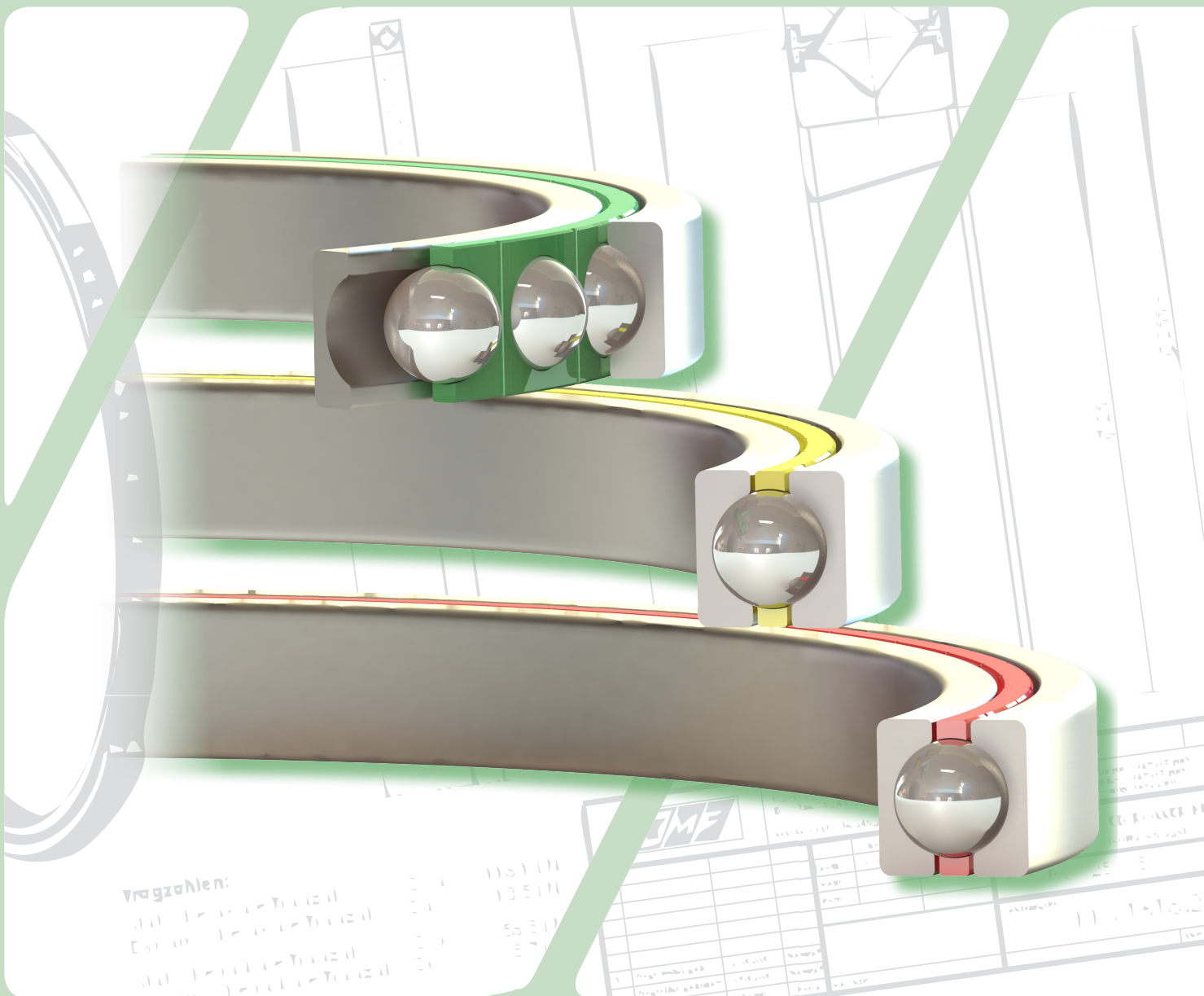
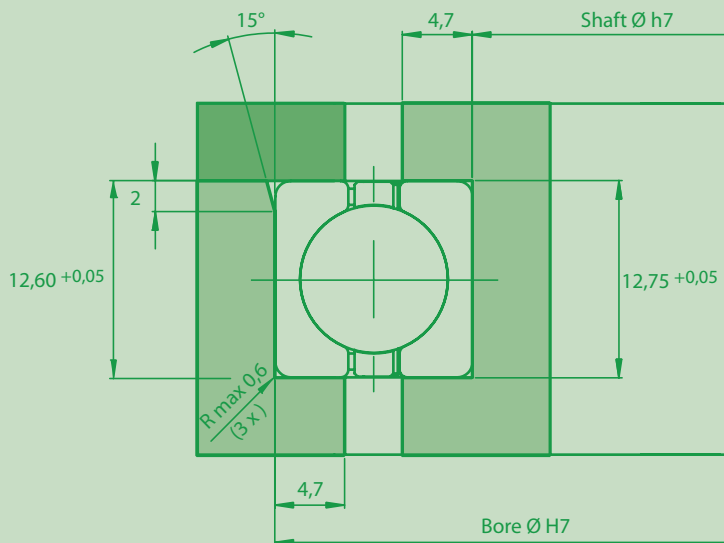


Thin ring bearing PBCD



Fitted dimensions



Bearing dimensions

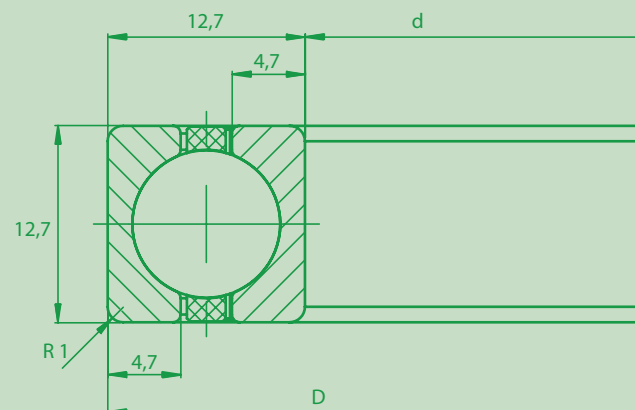


Table of dimensions (Type series PBCD)

| KMF-type ¹⁾ | Bearing dimension | | | Basic load ratings | | | | Mass kg | Limiting speeds n_G grease min ⁻¹ |
|------------------------|-------------------|------|--------|--------------------|----------------|-------------|----------------|------------|---|
| | | | | Axial | | Radial | | | |
| | d | | D | Dyn. | Stat. | Dyn. | Stat. | | |
| | mm | inch | mm | C_a kN | C_{oa} kN | C_r kN | C_{or} kN | | |
| PBCD 040 | 101,60 | 4 | 127,00 | --- | --- | 14,2 | 16,2 | 0,334 | 3300 |
| PBCD 042 | 107,95 | 4 ¼ | 133,35 | --- | --- | 14,7 | 17,4 | 0,353 | 3100 |
| PBCD 045 | 114,30 | 4 ½ | 139,70 | --- | --- | 15,1 | 18,7 | 0,371 | 2930 |
| PBCD 047 | 120,65 | 4 ¾ | 146,05 | --- | --- | 15,2 | 19,3 | 0,390 | 2780 |
| PBCD 050 | 127,00 | 5 | 152,40 | --- | --- | 15,7 | 20,6 | 0,408 | 2640 |
| PBCD 055 | 139,70 | 5 ½ | 165,10 | --- | --- | 16,1 | 22,5 | 0,445 | 2400 |
| PBCD 060 | 152,40 | 6 | 177,80 | --- | --- | 16,9 | 24,9 | 0,482 | 2200 |
| PBCD 065 | 165,10 | 6 ½ | 190,50 | --- | --- | 17,3 | 27,0 | 0,519 | 2030 |
| PBCD 070 | 177,80 | 7 | 203,20 | --- | --- | 17,7 | 28,5 | 0,557 | 1880 |
| PBCD 075 | 190,50 | 7 ½ | 215,90 | --- | --- | 18,3 | 31,0 | 0,594 | 1760 |
| PBCD 080 | 203,20 | 8 | 228,60 | --- | --- | 18,7 | 33,0 | 0,631 | 1650 |
| PBCD 085 | 215,90 | 8 ½ | 241,30 | --- | --- | 19,0 | 35,0 | 0,668 | 1550 |
| PBCD 090 | 228,60 | 9 | 254,00 | --- | --- | 19,6 | 37,5 | 0,705 | 1470 |
| PBCD 095 | 241,30 | 9 ½ | 266,70 | --- | --- | 19,9 | 39,5 | 0,742 | 1390 |
| PBCD 100 | 254,00 | 10 | 279,40 | --- | --- | 20,2 | 41,5 | 0,779 | 1320 |
| PBCD 105 | 266,70 | 10 ½ | 292,10 | --- | --- | 20,7 | 44,0 | 0,816 | 1260 |



| KMF-type ¹⁾ | Bearing dimension | | | Basic load ratings | | | | Mass | Limiting speeds |
|------------------------|-------------------|------|---------|--------------------|-----------------|----------------|-----------------|-------|-----------------------|
| | | | | Axial | | Radial | | | |
| | d | | D | Dyn. | Stat. | Dyn. | Stat. | | n _{G grease} |
| | mm | inch | mm | C _a | C _{oa} | C _r | C _{or} | | |
| PBCD 110 | 279,40 | 11 | 304,80 | ---- | ---- | 21,0 | 45,5 | 0,853 | 1200 |
| PBCD 115 | 292,10 | 11 ½ | 317,50 | ---- | ---- | 21,3 | 47,5 | 0,891 | 1150 |
| PBCD 120 | 304,80 | 12 | 330,20 | ---- | ---- | 21,7 | 50,0 | 0,928 | 1100 |
| PBCD 130 | 330,20 | 13 | 355,60 | ---- | ---- | 22,2 | 54,0 | 1,002 | 1010 |
| PBCD 140 | 355,60 | 14 | 381,00 | ---- | ---- | 22,9 | 58,0 | 1,076 | 940 |
| PBCD 150 | 381,00 | 15 | 406,40 | ---- | ---- | 23,5 | 63,0 | 1,150 | 880 |
| PBCD 160 | 406,40 | 16 | 431,80 | ---- | ---- | 24,0 | 66,0 | 1,225 | 820 |
| PBCD 170 | 431,80 | 17 | 457,20 | ---- | ---- | 24,6 | 71,0 | 1,299 | 780 |
| PBCD 180 | 457,20 | 18 | 482,60 | ---- | ---- | 25,0 | 75,0 | 1,373 | 730 |
| PBCD 190 | 482,60 | 19 | 508,00 | ---- | ---- | 25,5 | 79,0 | 1,447 | 690 |
| PBCD 200 | 508,00 | 20 | 533,40 | ---- | ---- | 26,0 | 83,0 | 1,521 | 660 |
| PBCD 210 | 533,40 | 21 | 558,80 | ---- | ---- | 26,5 | 87,0 | 1,596 | 630 |
| PBCD 220 | 558,80 | 22 | 584,20 | ---- | ---- | 27,0 | 91,0 | 1,670 | 600 |
| PBCD 230 | 584,20 | 23 | 609,60 | ---- | ---- | 27,5 | 96,0 | 1,744 | 570 |
| PBCD 240 | 609,60 | 24 | 635,00 | ---- | ---- | 28,0 | 100,0 | 1,818 | 550 |
| PBCD 250 | 635,00 | 25 | 660,40 | ---- | ---- | 28,0 | 104,0 | 1,892 | 530 |
| PBCD 260 | 660,40 | 26 | 685,80 | ---- | ---- | 28,5 | 108,0 | 1,967 | 510 |
| PBCD 270 | 685,80 | 27 | 711,20 | ---- | ---- | 29,0 | 112,0 | 2,041 | 490 |
| PBCD 280 | 711,20 | 28 | 736,60 | ---- | ---- | 29,5 | 117,0 | 2,115 | 470 |
| PBCD 290 | 736,60 | 29 | 762,00 | ---- | ---- | 30,0 | 121,0 | 2,189 | 450 |
| PBCD 300 | 762,00 | 30 | 787,40 | ---- | ---- | 30,0 | 125,0 | 2,264 | 440 |
| PBCD 310 | 787,40 | 31 | 812,80 | ---- | ---- | 30,5 | 129,0 | 2,338 | 430 |
| PBCD 320 | 812,80 | 32 | 838,20 | ---- | ---- | 31,0 | 133,0 | 2,412 | 410 |
| PBCD 330 | 838,20 | 33 | 863,60 | ---- | ---- | 31,0 | 137,0 | 2,486 | 400 |
| PBCD 340 | 863,60 | 34 | 889,00 | ---- | ---- | 31,5 | 142,0 | 2,560 | 390 |
| PBCD 400 | 1016,00 | 40 | 1041,40 | ---- | ---- | 34,2 | 167,0 | 3,012 | 330 |
| PBCD 405 | 1028,70 | 40 ½ | 1054,10 | ---- | ---- | 34,4 | 169,0 | 3,049 | 330 |
| PBCD 417 | 1060,45 | 41 ¾ | 1085,85 | ---- | ---- | 34,9 | 174,0 | 3,143 | 320 |
| PBCD 420 | 1066,80 | 42 | 1092,20 | ---- | ---- | 35,0 | 175,5 | 3,162 | 315 |

1) Other dimensions on request

Manufacturer comparative list

| | Bearing dimension | | | | | | | |
|----------|-------------------|------|--------|------------|--------------|-----------|----------|------|
| | KMF-type | d | D | | | | | |
| | mm | inch | mm | | | | | |
| PBCD 040 | 101,60 | 4 | 127,00 | KD 040 CPO | L10TA 400T | FPCD 400 | CSCD 040 | ---- |
| PBCD 042 | 107,95 | 4 ¼ | 133,35 | KD 042 CPO | L10TA 404T | FPCD 404 | CSCD 042 | ---- |
| PBCD 045 | 114,30 | 4 ½ | 139,70 | KD 045 CPO | L10TA 408T | FPCD 408 | CSCD 045 | ---- |
| PBCD 047 | 120,65 | 4 ¾ | 146,05 | KD 047 CPO | L10TA 412T | FPCD 412 | CSCD 047 | ---- |
| PBCD 050 | 127,00 | 5 | 152,40 | KD 050 CPO | L10TA 500T | FPCD 500 | CSCD 050 | ---- |
| PBCD 055 | 139,70 | 5 ½ | 165,10 | KD 055 CPO | L10TA 508T | FPCD 508 | CSCD 055 | ---- |
| PBCD 060 | 152,40 | 6 | 177,80 | KD 060 CPO | L10TA 600T | FPCD 600 | CSCD 060 | ---- |
| PBCD 065 | 165,10 | 6 ½ | 190,50 | KD 065 CPO | L10TA 608T | FPCD 608 | CSCD 065 | ---- |
| PBCD 070 | 177,80 | 7 | 203,20 | KD 070 CPO | L10TA 700T | FPCD 700 | CSCD 070 | ---- |
| PBCD 075 | 190,50 | 7 ½ | 215,90 | KD 075 CPO | L10TA 708T | FPCD 708 | CSCD 075 | ---- |
| PBCD 080 | 203,20 | 8 | 228,60 | KD 080 CPO | L10TA 800T | FPCD 800 | CSCD 080 | ---- |
| PBCD 085 | 215,90 | 8 ½ | 241,30 | ---- | ---- | ---- | ---- | ---- |
| PBCD 090 | 228,60 | 9 | 254,00 | KD 090 CPO | L10TA 900YH | FPCD 900 | CSCD 090 | ---- |
| PBCD 095 | 241,30 | 9 ½ | 266,70 | ---- | ---- | ---- | ---- | ---- |
| PBCD 100 | 254,00 | 10 | 279,40 | KD 100 CPO | L10TA 1000YH | FPCD 1000 | CSCD 100 | ---- |
| PBCD 105 | 266,70 | 10 ½ | 292,10 | ---- | ---- | ---- | ---- | ---- |
| PBCD 110 | 279,40 | 11 | 304,80 | KD 110 CPO | L10TA 1100YH | FPCD 1100 | CSCD 110 | ---- |
| PBCD 115 | 292,10 | 11 ½ | 317,50 | ---- | ---- | ---- | ---- | ---- |
| PBCD 120 | 304,80 | 12 | 330,20 | KD 120 CPO | L10TA 1200YH | FPCD 1200 | CSCD 120 | ---- |
| PBCD 130 | 330,20 | 13 | 355,60 | ---- | ---- | ---- | ---- | ---- |
| PBCD 140 | 355,60 | 14 | 381,00 | KD 140 CPO | ---- | FPCD 1400 | CSCD 140 | ---- |
| PBCD 150 | 381,00 | 15 | 406,40 | ---- | ---- | ---- | ---- | ---- |
| PBCD 160 | 406,40 | 16 | 431,80 | KD 160 CPO | ---- | FPCD 1600 | CSCD 160 | ---- |
| PBCD 170 | 431,80 | 17 | 457,20 | ---- | ---- | ---- | ---- | ---- |
| PBCD 180 | 457,20 | 18 | 482,60 | KD 180 CPO | ---- | FPCD 1800 | CSCD 180 | ---- |
| PBCD 190 | 482,60 | 19 | 508,00 | ---- | ---- | ---- | ---- | ---- |
| PBCD 200 | 508,00 | 20 | 533,40 | KD 200 CPO | ---- | FPCD 2000 | CSCD 200 | ---- |
| ↪ 250 | 635,00 | 25 | 660,40 | KD 250 CPO | ---- | FPCD 2500 | CSCD 250 | ---- |
| ↪ 300 | 762,00 | 30 | 787,40 | KD 300 CPO | ---- | FPCD 3000 | CSCD 300 | ---- |
| ↪ 340 | 863,60 | 34 | 889,00 | ---- | ---- | ---- | ---- | ---- |

↪ For this KMF-type series (Steps of 10) no types of other manufacturers do exist