

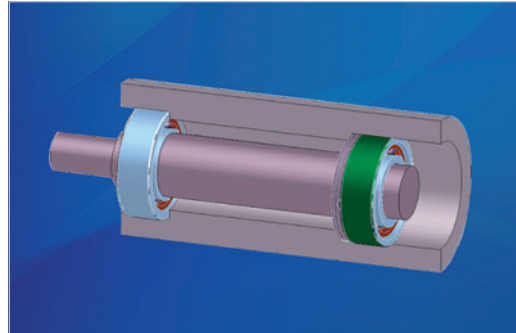


## Outside surface coating of bearing outer ring with *SLiCoTec*

Several years of experience have shown GMN's customers the advantage of DLC coating on the outside surface of the outer ring. It represents a considerable added value when used with floating bearings.

### Advantages and Characteristics

- Significantly lower sliding friction of floating bearings
- Prevention of fretting corrosion
- Outside diameter within DIN tolerance
- Optimized thin-film technology guarantees a consistently high level of precision
- Permanent DLC coat on the bearing ring
- No need for additional sliding elements (e.g. ball cage)
- Increased service life due to guaranteed floating bearing function



### Availability

- The following standard bearings are available on request:
  - Bearing type S, SM, KH
  - Bearing series 60.., 62.., 618.., 619..
  - Contact angle C, E or customer-specific
  - Precision classes P4 / ABEC 7, HG, UP
  - Steel or ceramic balls
  - Sealed, with for-life grease lubrication
  - Open, for oil lubrication
- Coatings of special bearings on request



### Designation examples

Ball material	Bearing type	Bearing size	Sealing	Contact angle	Cage	Precision	Matching	Grease	Coating
<i>Steel</i>			<i>open</i>						
-	<b>S</b>	61920	-	E	TA	P4	DUL	-	<b>SCT</b>
<i>Ceramic</i>			<i>sealed</i>						
HY	<b>KH</b>	6005	<b>2RZ</b>	C	TA	P4	DUL	L 252	<b>SCT</b>
<i>Ceramic</i>			<i>open</i>						
HY	<b>SM</b>	6008	-	17°C	TXM	UP	DUL	-	<b>SCT</b>